

Installation

Bradley 1C TouchTime® Individual Built-In Wall Shower with Concealed Supplies

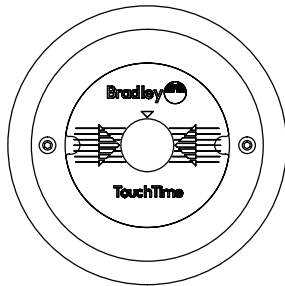
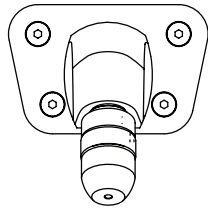


Table of Contents

Pre-Installation Information	2
Rough-In	3
Make Electrical Connections	4
Adjusting the TouchTime Module	4
Complete Installation	5
TouchTime Valve Parts List	5
Cleaning and Maintenance for Stainless Steel	5

WARNING

Make sure that all water supply lines have been flushed and then completely turned off before beginning installation. Debris in the supply lines can cause valves to malfunction.

NOTICE

Water supply requires a flowing pressure of at least 20 psi, but no greater than 80 psi.

IMPORTANT

Read this entire installation manual to ensure proper installation. When finished with the installation, file this manual with the owner or maintenance department. Compliance and conformity to local codes and ordinances is the responsibility of the installer.

Separate parts from packaging and make sure all parts are accounted for before discarding packaging material. If any parts are missing, do not begin installation until you obtain the missing parts.

Product warranties may be found under "Products" on our website at www.bradleycorp.com.



Pre-Installation Information

TouchTime

The 1C TouchTime® Shower controls water flow at each station through the use of a timer module. When the pushbutton is pushed, a signal is sent controlling the opening and closing of the fixture's solenoid valve. The valve then delivers water to the fixture for a preset length of time of 60 seconds (timing is adjustable on module).

Recommended showerhead heights

Bradley 1C TouchTime showers can be installed at any height (see recommended heights). *NOTE: The heights listed are measured from finish floor to showerhead tip.*

Age	Male	Female
Adult	6' (1.83m)	5'6" (1.68m)
Teenage	6' (1.83m)	5'6" (1.68m)
Pre-Teen	5'6" (1.68m)	5'6" (1.68m)

Components

Material: All exposed parts are stainless steel or polished chrome-plated brass.

Supply Inlet: The supply inlet to the valve assembly is 1/2" IPS.

TouchTime and Solenoid Valve: Each TouchTime mechanical pushbutton/piezo switch activates a flow of water. Each nozzle is controlled by a separate solenoid valve, allowing each user to activate a flow of tempered water from one spray nozzle with a pushbutton or piezo switch for 60 seconds. Each valve uses less than half the maximum amount of hot water allowed by the ANSI/ASHRAE/IES 90A-1980 Standard. Activation time can be adjusted in the field.

Solenoid Valve: An electronically controlled solenoid valve serves as the metering mechanism. Few moving parts provide reliable metering performance and the solenoid is unaffected by chemicals and minerals often present in municipal water supplies.

Supplies Required for Installation

- 1/2" IPS piping and 1/2" IPS tempered water supply piping and fittings (for solenoid)
- four 1/4"-20 wall anchors for showerhead and two #10 wall anchors for pushbutton assembly
- Teflon tape or teflon pipe dope
- 110 VAC power source for 12V DC plug in adapter (available from Bradley as an option)
- OPTIONAL: Bradley recommends installing an electrical cut-off switch to the unit. This feature allows no accidental water delivery during regular maintenance and service.

1 Rough-In

⚠ WARNING The 1C TouchTime shower must be connected with a 120VAC/12V DC plug in adapter. Not using the provided adapter can cause personal injury and will result in damage to the electronics.



Refer to recommended shower heights shown above.

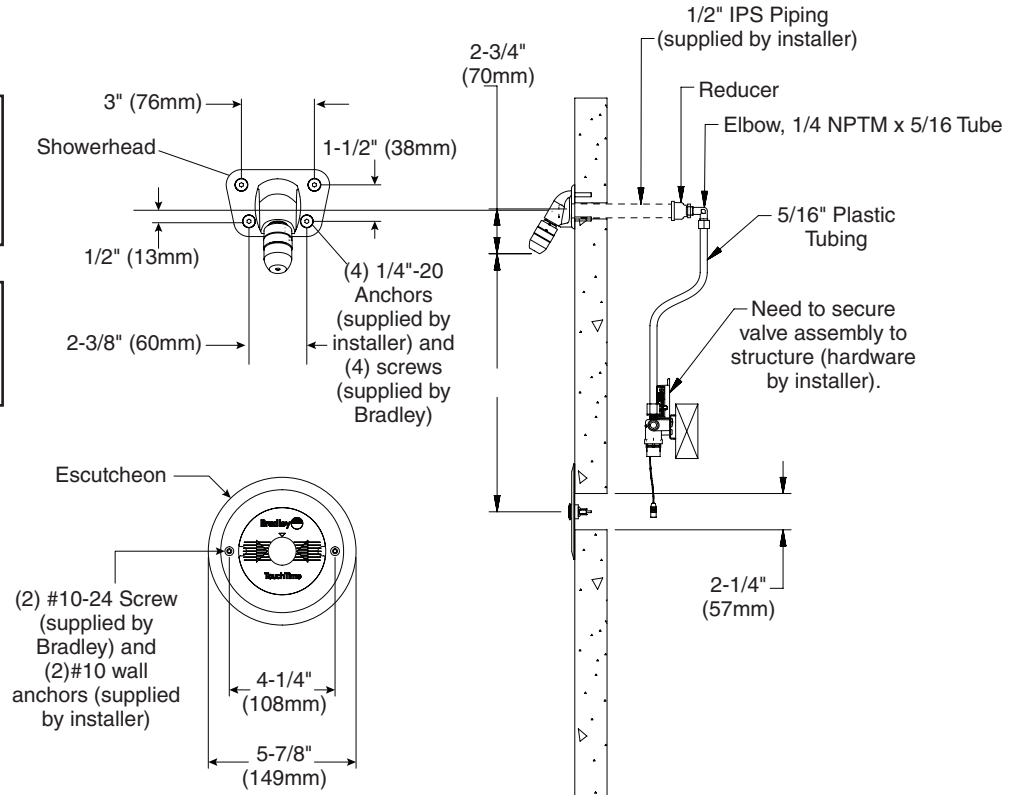


Mechanical pushbutton shown, piezo switch similar.

A Rough-in 1/2" tempered water supply piping to the valve assembly as required for your installation.

B Rough-in wall openings for the showerhead and pushbutton as required for your installation.

C Install two #10 wall anchors (supplied by installer) to secure pushbutton assembly.



2 Make Electrical Connections

⚠ WARNING DO NOT put the 120VAC/12VDC plug in adapter in the shower room. Check local codes and ordinances for proper location and connection requirements. Conformity to local codes is the responsibility of the installer.

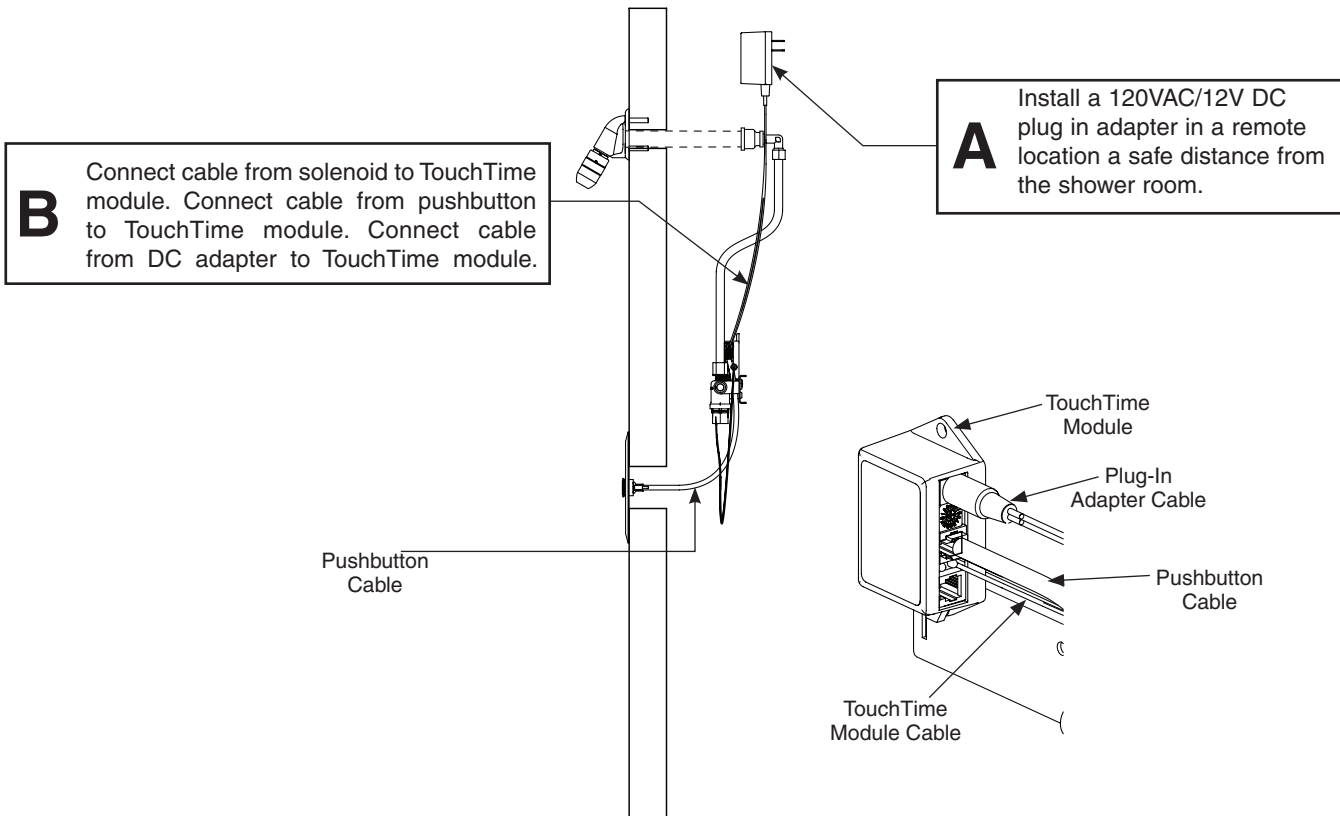
⚠ WARNING DO NOT activate power to your shower until installation is complete.

⚠ WARNING Verify that the electrical source to the fixture is 12V DC.

NOTICE: Connection of leads other than shown below may cause permanent damage to the electrodes.



Activation of the pushbutton takes place only when it is released, thereby preventing "hold open" activation.



3 Adjusting the TouchTime Module



The TouchTime module is set at the factory with the selector switch in position 7. This provides a 60 second time out period.



The 24 hour flush function will activate water flow for a period of 60 seconds any time there has been no activation within the past 24 hours. This function is used to help clear stagnant water from the plumbing system and can provide some measure of prevention against the formation of bacteria in supply pipes.

A

To adjust the TouchTime module to a different time out period, turn the selector switch to the desired time out setting (4 through 9 for no flush, A through F for 24 hours flush) as indicated on the module label.

S83-360 Timer	
Indicators	
Red = Disabled	
Green = In Use/Activation Length	
Diagnostic - See Instructions	
0: Test Timer Module I/O	
1: Solenoid Open & Close 1s	
Custom - See Instructions	
2: Push Button Light On/Off	
3: Timeout Period	
Timeout Setting	
4: 4s, no flush	A: 4s, 24hr flush
5: 15s, no flush	B: 15s, 24hr flush
6: 30s, no flush	C: 30s, 24hr flush
7: 60s, no flush	D: 60s, 24hr flush
8: 180s, no flush	E: 180s, 24hr flush
9: 300s, no flush	F: 300s, 24hr flush
12VDC	
114-325 Rev A	

4 Complete Installation

A Secure the showerhead to the 1/4"-20 wall anchors (supplied by installer) using the screws provided.

B Secure the pushbutton to the #10 wall anchors (supplied by installer).

C Turn on the water supply to the 1C TouchTime shower and check for leaking.

D Turn on the power to the control module and press the pushbutton several times to purge air from the lines.

TouchTime® Valve Parts List

For service please see service guide 215-1369-38 for solenoid valve and TouchTime information.

Cleaning and Maintenance for Stainless Steel

Material Description: Stainless steel is extremely durable, and maintenance is simple and inexpensive. Proper care, particularly under corrosive conditions, is essential. Always start with the simplest solution and work your way toward the more complicated.

Routine cleaning: Daily or as often as needed use a solution of warm water and soap, detergent, or ammonia. Apply the cleaning solution per the manufacturer's instructions and always use a soft cloth or sponge to avoid damaging the finish.

Stubborn Stains: To remove stains from stainless steel use a stainless steel cleaner and polish such as Ball® stainless steel cleaner or a soft abrasive. Always follow the manufacturer's instructions and apply in the same direction as the polish lines.

NOTICE! Never use ordinary steel wool or steel brushes on stainless steel. Always use stainless steel wool or stainless steel brushes.

Fingerprints and Smears: To remove fingerprints or smears use a high quality stainless steel cleaner and polish in accordance with the manufacturer's instructions. Many of these products leave a protective coating that helps prevent future smears and fingerprints.

Grease and Oil: To remove grease and oil use a quality commercial detergent or caustic cleaner. Apply in accordance to the manufacturer's instructions and in the direction of the polish lines.

Precautions: Avoid prolonged contact with chlorides (bleaches, salts), bromides (sanitizing agents), thiocyanates (pesticides, photography chemicals, and some foods), and iodides on stainless steel equipment, especially if acid conditions exist.

NOTICE! Do not permit salty solutions to evaporate and dry on stainless steel.

The appearance of rust streaks on stainless steel leads to the belief that the stainless steel is rusting. Look for the actual source of the rust in some iron or steel particles which may be touching, but not actually a part of the stainless steel structure.

NOTICE! Strongly acidic or caustic cleaners may attack the steel causing a reddish film to appear. The use of these cleaners should be avoided.

Brand Names

Use of brand names is intended only to indicate a type of cleaner. This does not constitute an endorsement, nor does the omission of any brand name cleaner imply inadequacy. Many products named are regional in distribution, and can be found in local supermarkets, department and hardware stores, or through your cleaning service. It is emphasized that all products should be used in strict accordance with package instructions.