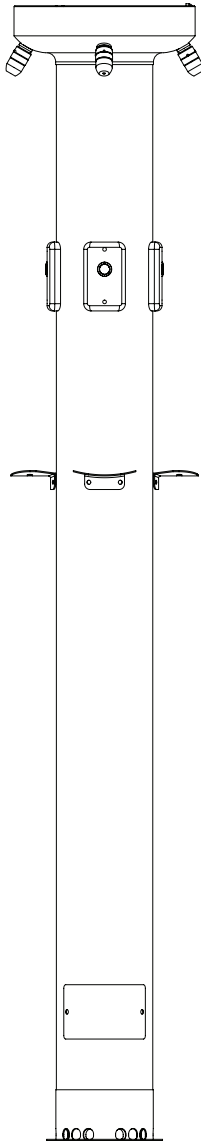




Column Showers - TouchTime® (DC)



WARNING

The TouchTime activation must be connected with a 12V DC plug in adapter. Connections to 110 VAC can cause personal injury and will result in damage to the electronics.

Make sure that all water supply lines have been flushed and then completely turned off before beginning installation. Debris in the supply lines can cause valves to malfunction.

DO NOT put the 120VAC/12VDC plug in adapter in the shower room. Check local codes and ordinances for proper location and connection requirements. Conformity to local codes is the responsibility of the installer.

NOTICE

To help prevent electrical damage to the unit, Bradley recommends the use of a surge protection. The type of surge protection required and its usage is the responsibility of the installer/electrician.

Water supply requires a flowing pressure of at least 20 psi, but no greater than 80 psi.

IMPORTANT

Check local codes and ordinances for proper location and connection requirements. Compliance and conformity to local codes and ordinances is the responsibility of the installer.

Read this entire service guide to ensure proper installation and use of the TouchTime® DC valve. When finished with the service, file this manual with the owner or maintenance department.

Separate parts and packaging and make sure all parts are accounted for before discarding any packaging. If any parts are missing, do not begin service until obtaining the missing parts.



TouchTime

The TouchTime Column controls water flow at each station through the use of a timer module. When the pushbutton is pushed, a signal is sent controlling the opening and closing of the fixture's solenoid valve. The valve then delivers water to the fixture for a preset length of time of 60 seconds (timing is adjustable on module).

TouchTime and Solenoid Valve

Each TouchTime mechanical pushbutton/piezo switch activates a flow of water. Each nozzle is controlled by a separate solenoid valve, allowing each user to activate a flow of tempered water from one spray nozzle with a pushbutton or piezo switch for 60 seconds. Each valve uses less than half the maximum amount of hot water allowed by the ANSI/ASHRAE/IES 90A-1980 Standard. Activation time can be adjusted in the field.

Solenoid Valve

An electronically controlled solenoid valve serves as the metering mechanism. Few moving parts provide reliable metering performance and the solenoid is unaffected by chemicals and minerals often present in municipal water supplies.

Supplies Required

- 110VAC power source for 120VAC/12V DC plug in adapter
- 120VAC/12V DC plug in adapter (available from Bradley)

Installing the TouchTime Valve

⚠ WARNING DO NOT put the 120VAC/12VDC plug in adapter in the shower room. Check local codes and ordinances for proper location and connection requirements. Conformity to local codes is the responsibility of the installer.

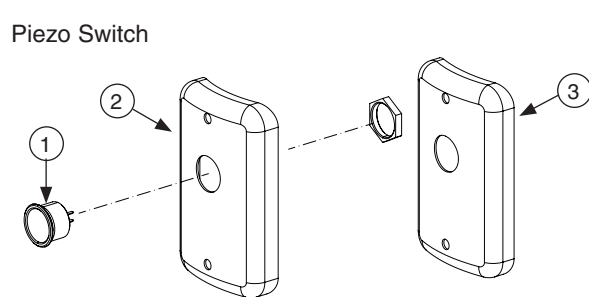
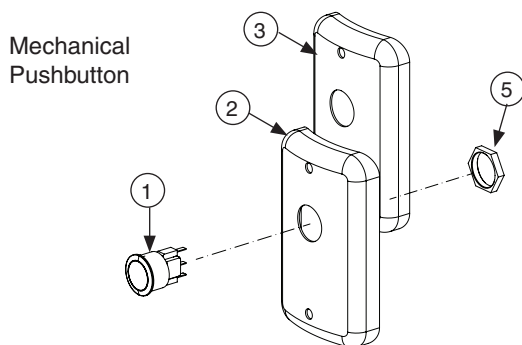
⚠ WARNING DO NOT activate power to your shower until installation is complete.

⚠ WARNING Verify that the electrical source to the fixture is 12V DC.

NOTICE: Connection of leads other than shown below may cause permanent damage to the electrodes.



Activation of the pushbutton takes place only when it is released, thereby preventing "hold open" activation.

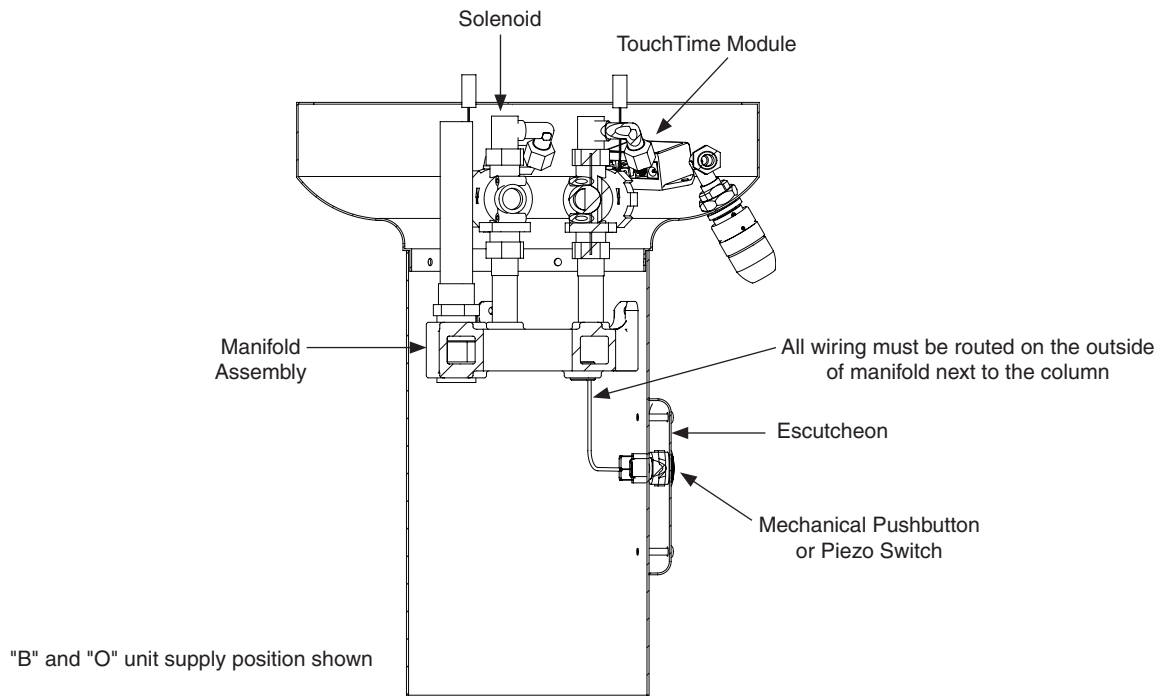


Item	Part No.	Description
1	S83-368	Mechanical Pushbutton
2	150-174	Escutcheon Col. 2-5
3	150-177	Escutcheon Col. 6
4	204-467	Label, TouchTime Col. (Not Shown)
5	110-258	Nut, Hex

Item	Part No.	Description
1	S83-369	Piezo Switch w/ Hex Nut
2	150-174	Escutcheon Col. 2-5
3	150-177	Escutcheon Col. 6
4	204-467	Label, TouchTime Col. (Not Shown)

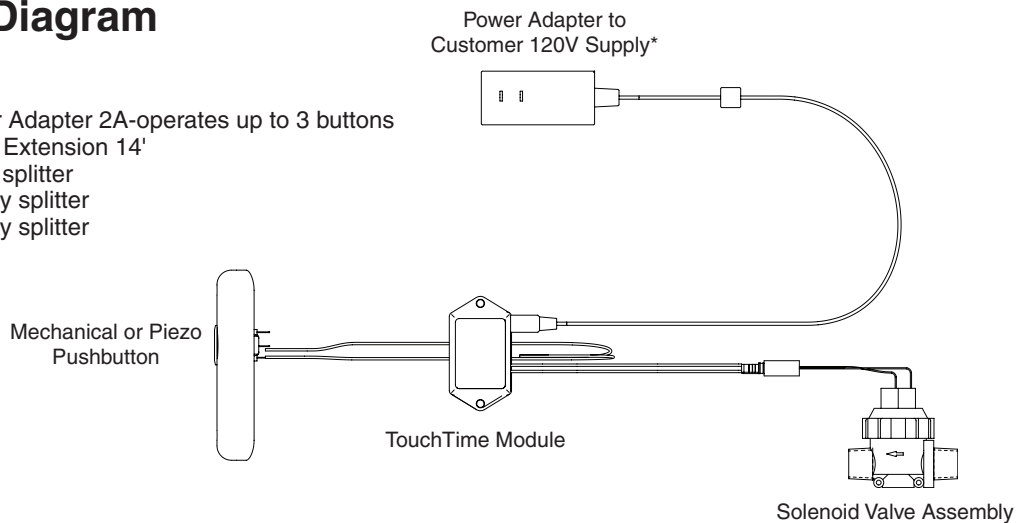


Column Shower with TouchTime Valve



Wiring Diagram

- *261-147 Power Adapter 2A-operates up to 3 buttons
- 251-026 Cable Extension 14'
- 251-027 4 way splitter
- 251-027A 2 way splitter
- 251-027B 3 way splitter



Make Electrical Connections

A Install a 120VAC/12V DC plug in adapter in a remote location a safe distance from the shower room.

B Connect cable from solenoid to TouchTime module. Connect cable from pushbutton to TouchTime module. Connect cable from DC adapter to TouchTime module



Adjusting the TouchTime Module

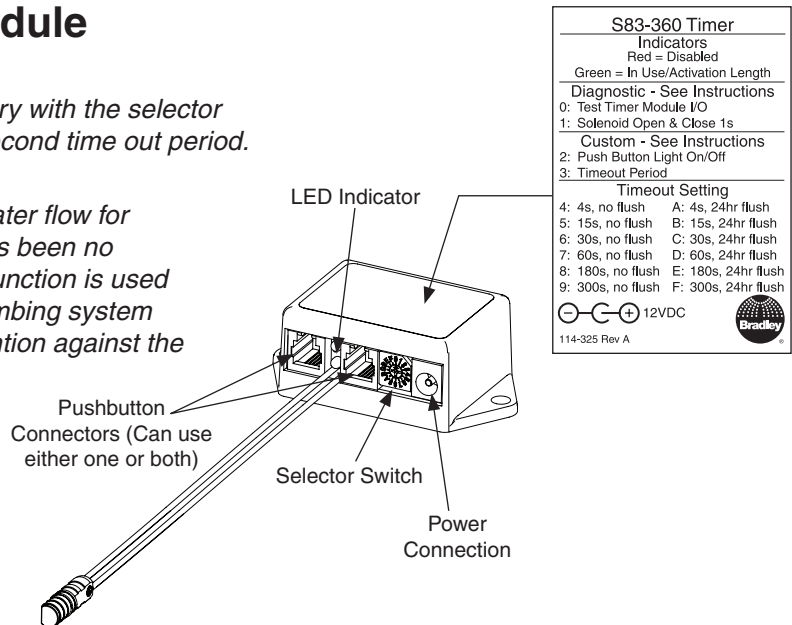


The TouchTime module is set at the factory with the selector switch in position 7. This provides a 60 second time out period.



The 24 hour flush function will activate water flow for a period of 60 seconds any time there has been no activation within the past 24 hours. This function is used to help clear stagnant water from the plumbing system and can provide some measure of prevention against the formation of bacteria in supply pipes.

A To adjust the TouchTime module to a different time out period, turn the selector switch to the desired time out setting (4 through 9 for no flush, A through F for 24 hours flush) as indicated on the module label.



How to Test the TouchTime Module (S83-360)

Supplies Needed

- Small flat blade screwdriver - to set the selector switch
- Switch or Pushbutton - either piezo electric or mechanical
- 12VDC plug in adapter
- Solenoid



Use a pushbutton/piezo switch, plug in adapter and solenoid from an adjacent functioning assembly.

1. Discharge and reset the TouchTime module.
 - a. Connect solenoid, plug in adapter and pushbutton/piezo switch.
 - b. Set selector switch on TouchTime module to position 1.
 - c. Activate the solenoid. The solenoid should cycle open and close each second.
 - d. Remove power from TouchTime module. The green LED will stop flashing in 1 to 2 seconds.
 - e. Wait at least 5 seconds. This allows the TouchTime module to completely discharge and reset.
2. Test the TouchTime module.
 - a. Set the selector switch on TouchTime module to position 0 (diagnostic position for testing TouchTime module).
 - b. Connect power to TouchTime module and verify green and red LEDs remain on after 2 seconds.
 - c. Move selector switch to position 1. The green and red LEDs should flash quickly for 2 seconds (LEDs flash about 10 times).
 - d. Verify the solenoid cycles open and close each second.
 - e. Verify the green LED turns on and off with each solenoid click.
 - f. Move selector switch to position 4 (timeout setting = 4 seconds).
 - g. Press and release the pushbutton to initiate the timing cycle. Verify the green LED lights up for 4 seconds. The solenoid clicks will match the LED.
3. Test is complete. Set the selector switch on the TouchTime module to the desired setting (4-F).

