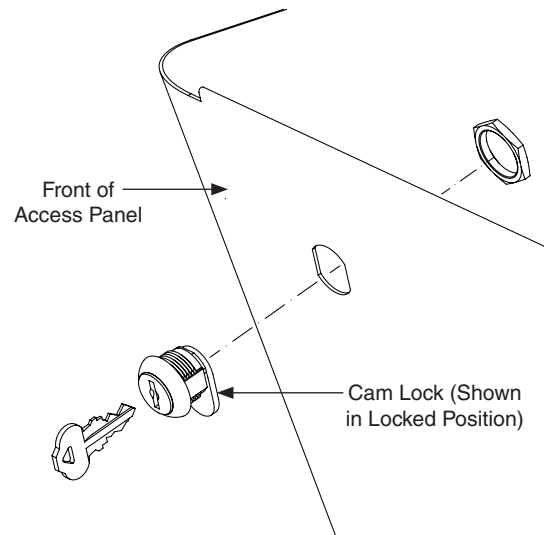
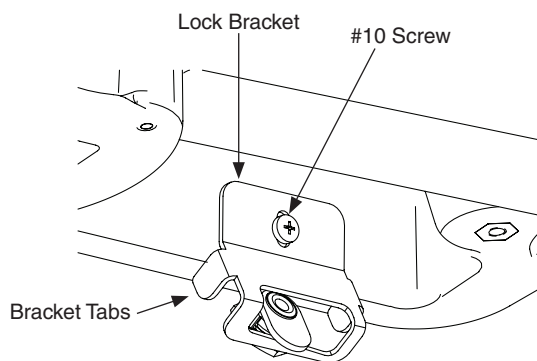


Installation

Access Panel Cam Lock Option



Thumb screws are not needed for cam lock option and may be discarded.



A

Install (2) brackets (one on left side and one on right side). Secure lock bracket to inside of front bowl apron using #10 screw. Bracket tabs should touch bottom of bowl apron.

B

Position cam lock through access panel hole as shown and secure with nut (2 places).

C

Rotate key clockwise. Lock is now in open position (horizontal).

D

Swing access panel up and rotate key counter clockwise to lock panel.

E

If cam lock does not engage, adjust bracket as needed.

