



S59-2045 (TMV45) Standard Thermostatic Mixing Valves

- Reliable liquid-filled thermostat
- Integral strainer checkstops on inlets
- Adjustable set point within temperature range
- Accurate temperature control
- Positive shutoff of hot supply when cold supply is lost
- Easy installation and serviceability
- Dirt and lime resistant
- Factory assembled and tested
- Universal mounting capability
- Cabinet Features
 - 18 gauge body & door
 - Left hand hinge
 - Cylinder Lock
 - Inlet/outlet knock out holes for mounting flexibility
 - Stainless steel or baked white enamel finishes
 - Surface mounted or recessed style with flange



TMV45 (Part No. S59-2045)

Valve Model

Model	Description
<input type="checkbox"/> S59-2045	Standard Thermostatic Mixing Valve

Valve Specifications

Maximum Operating Pressure
125 PSI (860 kPa)

Maximum Inlet Temperature
200° F (93° C)

Temperature Range	Set Point
Std. 85° F (29° C) to 135° F (57° C)	110° F (43° C)
Low 50° F (10° C) to 100° F (38° C)	80° F (27° C)
High 100° F (38° C) to 150° F (66° C)	130° F (54° C)

Flow Capacities – GPM

Model	Min. Flow*	Pressure Drop – PSI						
		5	10	15	20	30	45	60
S59-2045	5.0	12.0	17.0	21.0	25.0	31.0	37.0	42.0

Flow Capacities – L/Min

Model	Min. Flow*	Pressure Drop – Bar						
		.5	1.0	1.5	2.0	2.5	3.0	4.0
S59-2045	18.9	60.0	91.0	115.0	135.0	153.0	170.0	200.0

***Recirculation system only** (See diagram on Page 2). When properly installed near the hot water source with a **continuously operating** recirculation pump, the valve will maintain set temperature with a .5 GPM (2.0 L/Min) draw from the plumbing system.

Code Compliance and Certifications

ASSE 1017 & cUPC certified.



Certified to NSF/ANSI 372

- Standard product selections contained within this document are third party CERTIFIED to NSF/ANSI 372 meeting the Lead-Free content requirement. Any product configured with custom options will be COMPLIANT with NSF/ANSI 372 meeting the Lead-Free content requirement.**

Configurable Valve Model (select one)

Model	Description
<input type="checkbox"/> TMV45	TMV45 Thermostatic Mixing Valve with Options
<input type="checkbox"/> CAB-TMV45	TMV45 Thermostatic Mixing Valve Cabinet Only

Optional Valve Selections

Finish	
<input type="checkbox"/> R	Rough Brass (standard)
<input type="checkbox"/> C	Chrome Plated

Thermostat	
<input type="checkbox"/> S	Standard Range Thermostat
<input type="checkbox"/> L	Low Range Thermostat
<input type="checkbox"/> H	High Range Thermostat

Thermometer	
<input type="checkbox"/> T	Dial Thermometer
<input type="checkbox"/> 0	None

Bracket	
<input type="checkbox"/> B	Wall Mounting Bracket
<input type="checkbox"/> 0	None

Piped Assembly	
<input type="checkbox"/> P	Piped Assembly with Inlet and Outlet Shutoff
<input type="checkbox"/> N	Piped Assembly with Outlet Shutoff
<input type="checkbox"/> 0	None

Optional Cabinet Selections

Cabinets (includes bracket)	
<input type="checkbox"/> SS	Surface Mount Stainless Steel
<input type="checkbox"/> RS	Recessed Stainless Steel
<input type="checkbox"/> SE	Surface Mount White Enamel
<input type="checkbox"/> RE	Recessed White Enamel
<input type="checkbox"/> 0	None

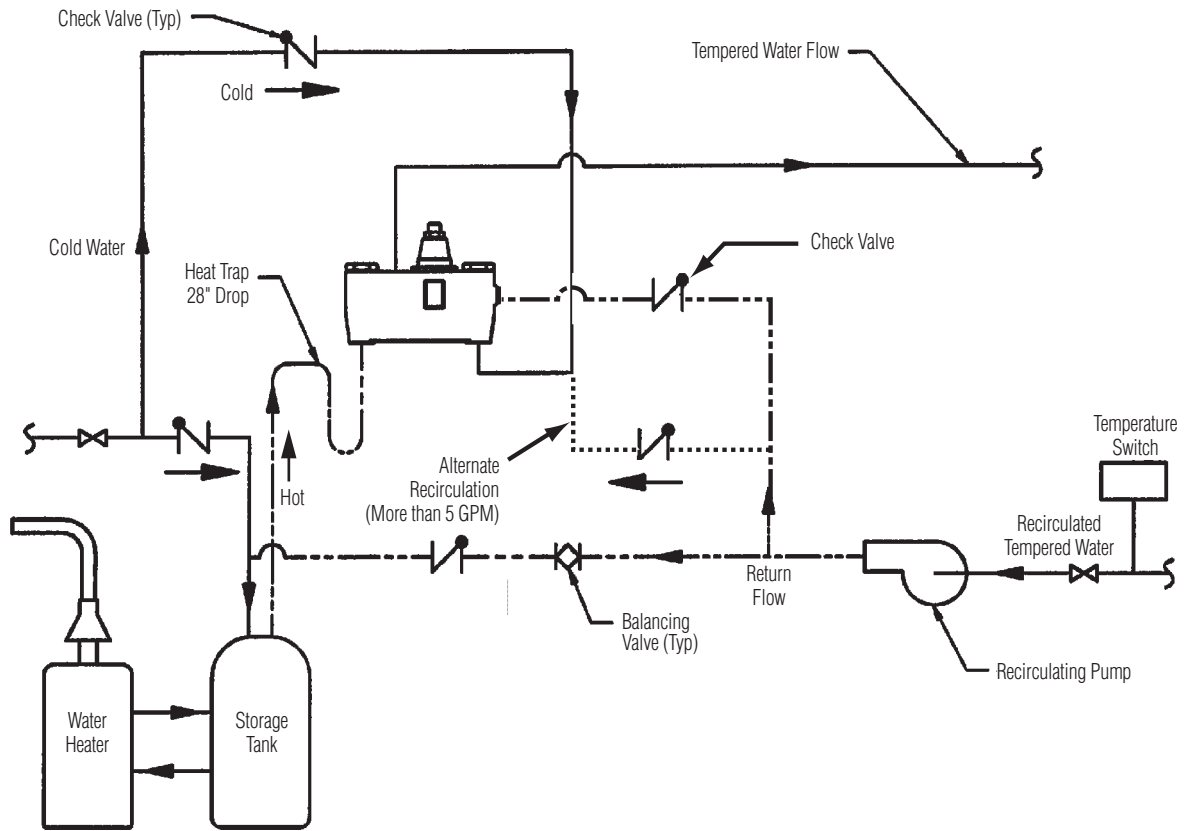
Window	
<input type="checkbox"/> W	Plexi-Glass Window in Door
<input type="checkbox"/> 0	None

Engineer's Approval _____



S59-2045 (TMV45) Standard Thermostatic Mixing Valves

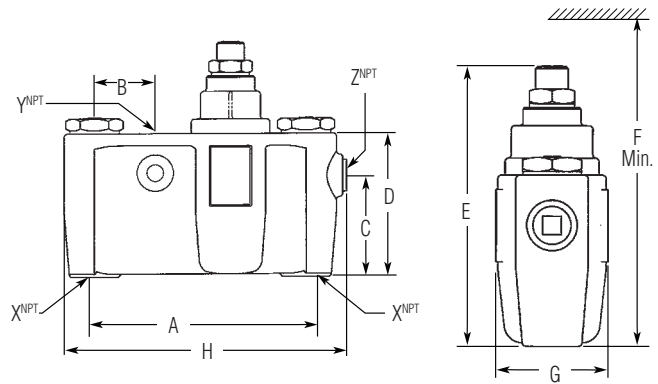
Recirculation Diagram



Dimensions – Inches (mm)

Model	A	B	C	D	E
S59-2045	7 (178)	2 (51)	3-1/4 (84)	4-3/4 (119)	8 (203)

Model	F	G	H	X ^{NPT}	Y ^{NPT}	Z ^{NPT}
S59-2045	14 (356)	3-1/8 (79)	9-1/4 (234)	3/4	1	3/4

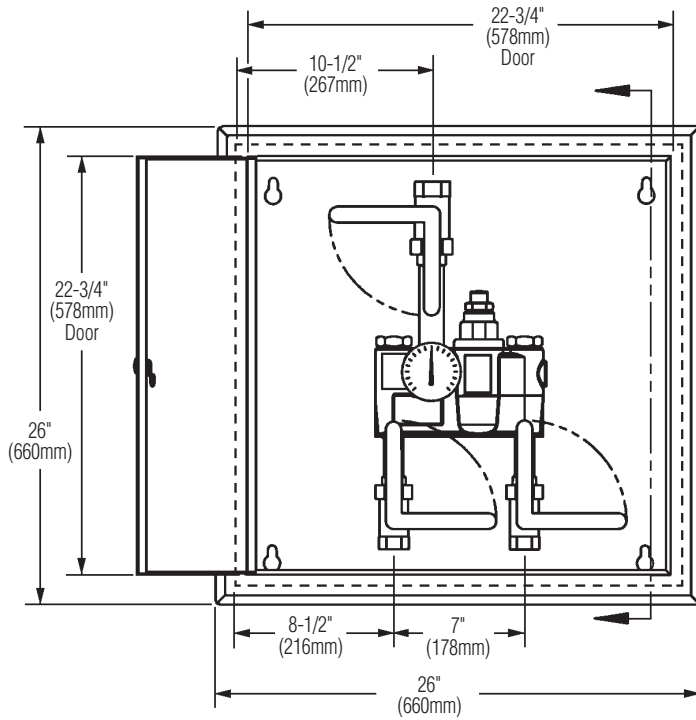




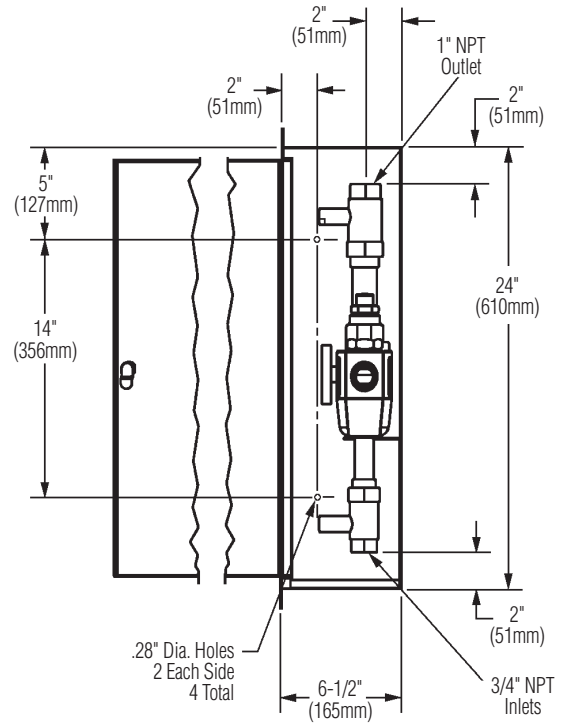
S59-2045 (TMV45) Standard Thermostatic Mixing Valves

Dimensions — TMV45 Recessed

Front View



Side View



Bottom View

