



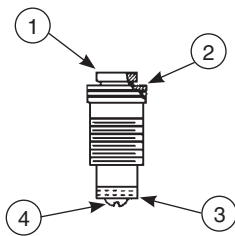
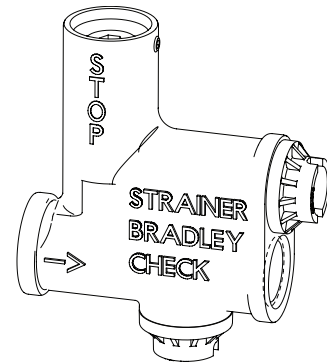
Mixing and Valve Control, Stop/Strainer-Check Valves and Foot Activation (Non-Sectional) WF2500, WF2600, WF2700, WF2800, WF3200, TDB3100 Series

P.O. Box 309 • Menomonee Falls, WI 53052-0309 • 1 800 BRADLEY • 262 251 6000 • bradleycorp.com

Stop, Strainer and Check Valve

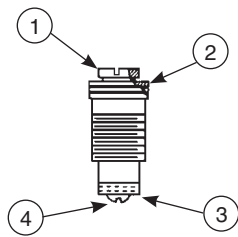
- S60-003 - Brass Valve Only
- S60-003A - Plated Valve Only
- S60-003S - Brass Valve with Tailpieces, Nuts and Washers
- S60-003AS - Plated Valve with Tailpieces, Nuts and Washers

Above include S21-014 Celcon plastic stop assembly.



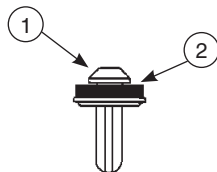
Parts List - S21-014 Stop Assembly with Standard Celcon Core

Item	Part No.	Description	Qty
1	119-057	Valve Core	1
2*	125-001AW	O-Ring	1
3*	125-001L	Bibb Washer	1
4	160-245	Screw	1



Parts List - S21-026 Stop Assembly with Optional Base Core

Item	Part No.	Description	Qty
1	119-057	Valve Core	1
2*	125-001AW	O-Ring	1
3*	125-001L	Bibb Washer	1
4	160-245	Screw	1



Parts List - S21-015* Check Assembly

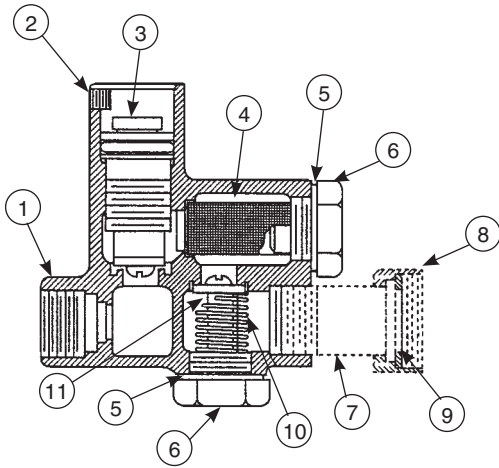
Item	Part No.	Description	Qty
1	119-091	Plunger	1
2	125-001BB	Washer	1

*Included with S45-050 repair kit.



Mixing and Valve Control, Stop/Strainer-Check Valves and Foot Activation (Non-Sectional) WF2500, WF2600, WF2700, WF2800, WF3200, TDB3100 Series

P.O. Box 309 • Menomonee Falls, WI 53052-0309 • 1 800 BRADLEY • 262 251 6000 • bradleycorp.com



Parts List - S60-003 Stop, Strainer and Check Valve

Item	Part No.	Description	Qty
1	118-039	Valve Body - Brass	1
1	118-039A	Valve Body - Plated	1
2	160-131	Set Screw	1
3	S21-014	Stop Assembly - Celcon	1
3	S21-026	Stop Assembly - Brass	1
4*	156-003	Strainer	1
5*	125-194	O-Ring	2
6*	153-472	Plug - Stop Strainer Check	2
7	129-007	Tail Piece - Brass	1
7	129-007A	Tail Piece - Plated	1
8	110-005	Tail Piece Nut - Brass	1
8	110-005A	Tail Piece Nut - Plated	1
9*	124-001AF	Tail Piece Washer	1
10*	135-001AB	Spring	1
11*	S21-015	Check Assembly	1

*Included with S45-050 repair kit.

Check Valve Troubleshooting

Problem	Cause	Solution
Water just dribbles or does not flow from sprayhead.	Check valves improperly installed or stops and strainers need to be cleaned.	<ol style="list-style-type: none"> 1. Turn off water supplies to the fixture. 2. Inspect check valves for proper installation. 3. Open the stops and clean the strainers, if necessary.



Thermostatic Mixing Valve Troubleshooting

Before attempting to troubleshoot the valve or disassemble the components, check for the following conditions:

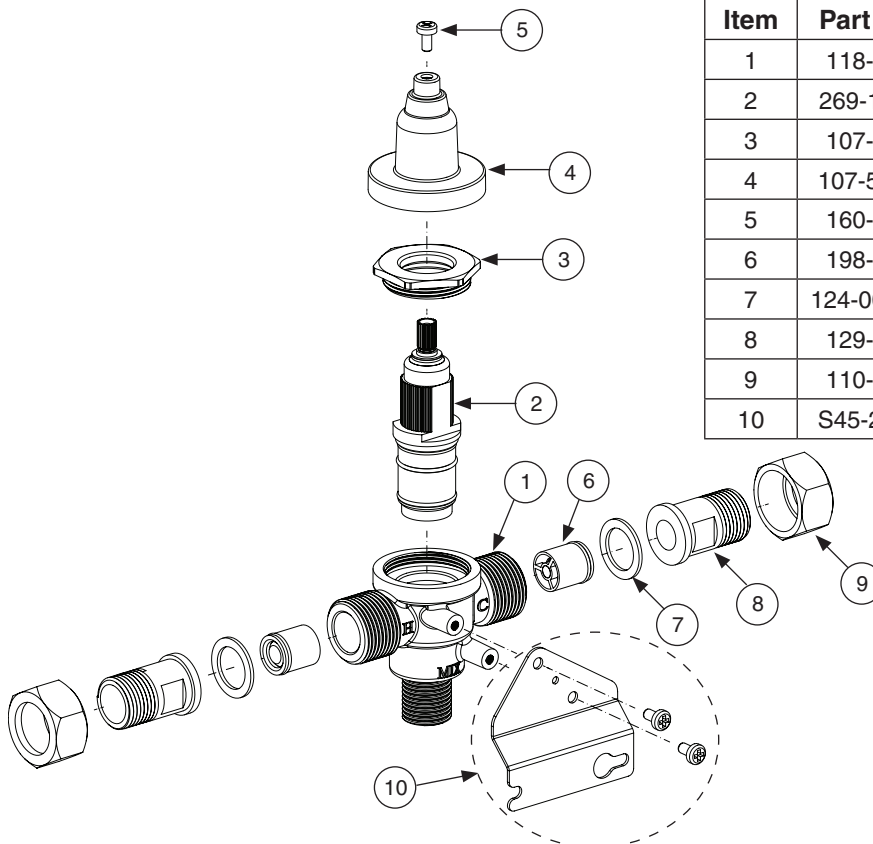
- If stop valves are used, make sure that they are fully open.
- Make sure that the hot and cold inlet pipes are connected properly, and that there are no cross-connections or leaking stop valves.
- Check the hot water heater output to make sure that it is at least 10° F above the set temperature.



Be sure to close the appropriate shut-off valves prior to disassembly of the valve and reopen the valves after inspection and repair is complete.

Problem	Cause	Solution
External leaks.	Damaged cartridge or O-rings.	Replace cartridge with part number 269-1927
Improper water temperature or temperature fluctuation.	Hot water supply is not 10° above desired set point.	Increase hot water supply temperature
	Valve temperature is not properly set.	Adjust the temperature as shown on page 3 step 2.
Limited water flow.	Dirt and debris have built up in the valve or strainer.	1. Check to make sure both hot and cold supplies are connected to the Navigator mixing valve and that they have water flow. 2. Remove cover and U-clip. Remove the cartridge and clean the strainer. It is not required to grease cartridge, however if desired, use silicone grease only. Do not use grease on check valves.

Parts List



Item	Part No.	Description	Qty
1	118-333	Valve Body	1
2	269-1927	Thermostatic Cartridge	1
3	107-646	Hex Cap	1
4	107-582A	Cover, Lead Free Valve	1
5	160-463	Screw, M4X8 PN	1
6	198-012	Check Valve, 16mm	2
7	124-001AF	Rubber Washer	2
8	129-007	Tailpiece, Unplated	2
9	110-005	Nut, 1-1/16-14 Hex	2
10	S45-2456	Mounting Bracket Kit (Optional)	1



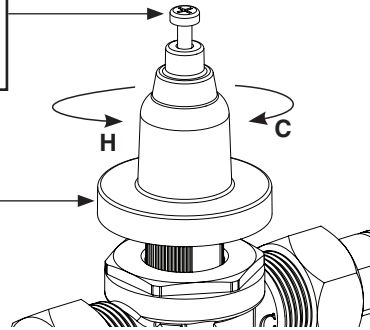
Adjusting the S01-529 Thermostatic Mixing Valve



This valve is NOT factory preset. Upon installation, the temperature of this valve must be checked and adjusted to ensure delivery of a safe water temperature. Water in excess of 110°F (43°C) may cause scalding.

A Loosen cap screw about 1/4" (4-6 turns) and lift up cover (do not remove)

B Using cover, turn cartridge gently until desired water temperature is reached. Do not turn past stops as this may damage unit. Push cover down and tighten screw.





Thermostatic Mixing Valve Troubleshooting

Before attempting to troubleshoot the valve or disassemble the components, check for the following conditions:

- If stop valves are used, make sure that they are fully open.
- Make sure that the hot and cold inlet pipes are connected properly, and that there are no cross-connections or leaking stop valves.
- Check the hot water heater output to make sure that it is at least 20° F above the set temperature.



Be sure to close the appropriate shut-off valves prior to disassembly of the valve and reopen the valves after inspection and repair is complete.

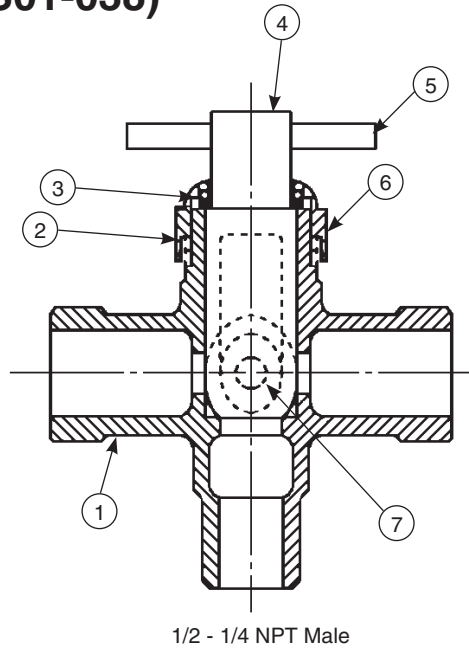
Problem	Cause	Solution
External leaks.	Damaged O-rings.	Replace O-rings where necessary. For replacement of the O-rings, contact your Bradley representative and ask for Repair Kit (part number S65-259).
Improper water temperature or temperature fluctuation.	Thermostat is slowly failing or not working at all.	Check the thermostat for proper operation. <ol style="list-style-type: none"> 1. At room temperature (80° F or less) remove cap and thermostat. 2. Place thermostat into container with 115° F water. The pushrod should pop out of the thermostat approximately 1/10". 3. If thermostat pushrod does not pop out, the thermostat must be replaced. Contact your Bradley representative and ask for Repair Kit (part number S65-259).
	Valve temperature is not properly set.	Adjust the temperature.
Limited water flow.	Dirt and debris have built up in the valve or strainer.	Check the valve's piston for free and smooth movement, <ol style="list-style-type: none"> 1. Remove the valve's cap and thermostat 2. Push down on the piston with your finger (the piston should move freely). If the movement is not as it should be, the piston needs to be cleaned. Follow the method outlined below for cleaning the piston and valve body: <ul style="list-style-type: none"> • Remove the thermostat. • Lift the piston out with a needle-nose pliers and remove the spring. • Any cleaner suitable for brass and stainless steel may be used (if cleaning with suitable cleaner is not sufficient to remove debris, a 400-grit sandpaper may be used to polish and hone the piston and valve body). • Snap spring into piston (will detent) and reassemble into the valve body. • Retest the piston. 3. If, after a thorough cleaning, the piston does not move freely, the piston must be replaced. Contact your Bradley representative and ask for Repair Kit (part number S65-259).



Mixing and Valve Control, Stop/Strainer-Check Valves and Foot Activation (Non-Sectional)
 WF2500, WF2600, WF2700, WF2800, WF3200, TDB3100 Series

P.O. Box 309 • Menomonee Falls, WI 53052-0309 • 1 800 BRADLEY • 262 251 6000 • bradleycorp.com

Manual Mixing Valve (S01-038)



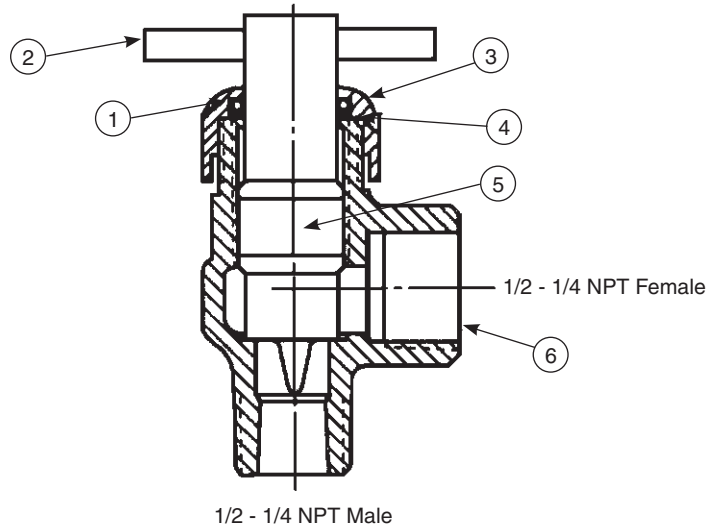
Parts List

Item	Part No.	Description	Valve Assembly S01-038	Valve Assembly S01-038S	Valve Assembly S01-038A	Valve Assembly S01-038A	Repair Kit S45-197
			Quantity				
1	118-034	Mixing Valve Body - Brass	1	1	-	-	-
1	118-034A	Mixing Valve Body - Chrome	-	-	1	1	-
2	124-001BD	Fiber Washer	1	1	1	1	1
3	125-001BC	O-Ring	1	1	1	1	1
4	119-059	Mixing Valve Core	1	1	1	1	1
5	152-038	Roll Pin	1	1	1	1	1
6	121-016	Bonnet - Brass	1	1	-	-	-
6	121-016A	Bonnet - Chrome	-	-	1	1	-
7	160-197	Screw - Brass	1	1	-	-	-
7	160-189	Screw - Stainless Steel	-	-	1	1	-
*	129-007	Tailpiece - Brass	-	2	-	-	-
*	110-005	Tailpiece Nut - Brass	-	2	-	-	-
*	129-007A	Talipiece - Chrome	-	-	-	2	-
*	110-005A	Tailpiece Nut - Chrome	-	-	-	2	-
*	124-001AF	Tailpiece Washer	-	2	-	2	2

* Parts not Shown



Volume Control Valve (S02-045)



Parts List

Item	Part No.	Description	Brass Valve	Chrome Valve	Repair Kit
			S02-045	S02-045A	S45-198
			Quantity		
1	125-001BC	O-Ring	1	1	1
2	152-038	Roll Pin	1	1	1
3	121-016	Bonnet	1	-	-
3	121-016A	Bonnet	-	1	-
4	124-001BD	Fiber Washer	1	1	1
5	119-060	Valve Core	1	1	1
6	118-033	Valve Body	1	-	-
6	118-033B	Valve Body	-	1	-

* Parts not Shown



Mixing and Valve Control, Stop/Strainer-Check Valves and Foot Activation (Non-Sectional) WF2500, WF2600, WF2700, WF2800, WF3200, TDB3100 Series

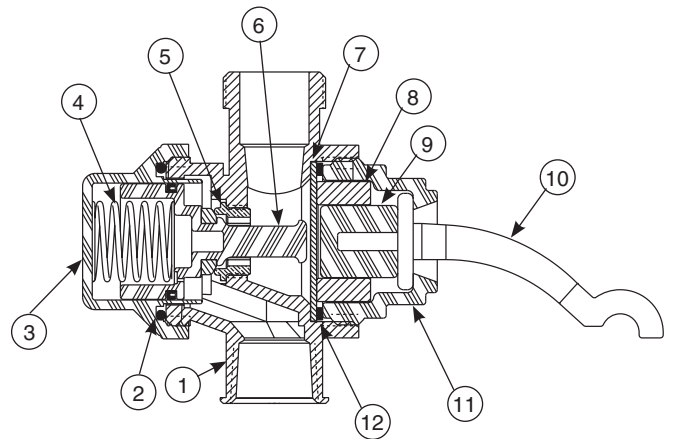
P.O. Box 309 • Menomonee Falls, WI 53052-0309 • 1 800 BRADLEY • 262 251 6000 • bradleycorp.com

Standard Foot Valve (S07-066)



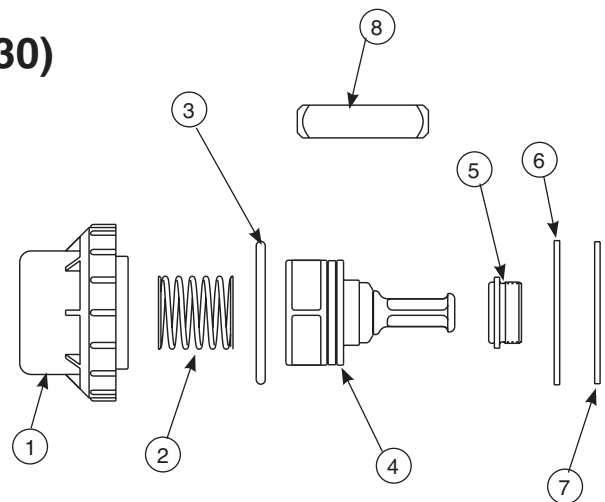
Foot valve activation is not available on TDB3100 Series models.

Item	Part No.	Qty	Description
1	118-302	1	Foot Valve Body
2	125-154	1	O-Ring
3	118-300	1	Foot Valve Cover (blue)
4	135-088	1	Spring
5	117-016	1	Valve Seat
6	S64-093	1	Plunger Guide
7	125-001Y	1	Diaphragm
8	179-002	1	Plunger Guide
9	119-024	1	Plunger
10	143-026	1	Operating Lever
11	110-101	1	Bottom Nut (natural Celcon)
12	124-001V	1	Washer - Black Phenolic



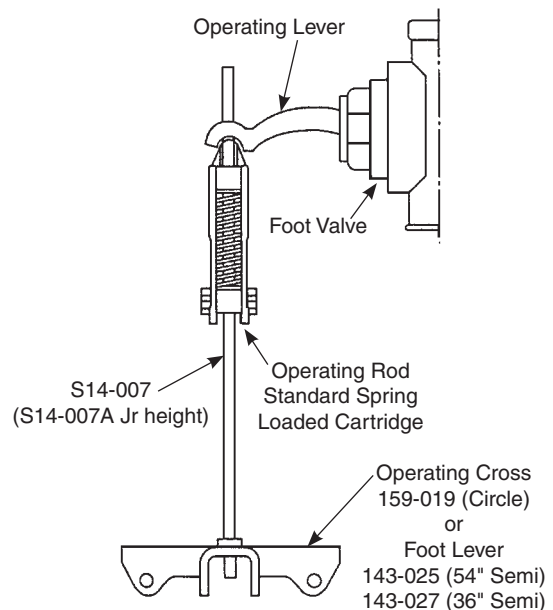
Standard Foot Valve Repair Kit (S65-230)

Item	Part No.	Qty	Description
1	118-300	1	Foot Valve Cover (Blue)
2	135-088	1	Spring
3	125-154	1	O-Ring
4	S64-093	1	Plunger Assembly
5	117-016	1	Valve Seat
6	125-001Y	1	Diaphragm
7	124-001V	1	Washer - Black Phenolic
8	130-033	1	Key - Valve Seat
9	S45-125	1	Lubricant (not shown)



Standard Foot Valve Linkage

For normal operation using the standard operating rod assembly, the spring loaded cartridge should be adjusted so there is no play in the operating lever. Care must be taken to insure that a snug fit is achieved without engaging the operating lever, or water will leak from the sprayhead.





Mixing and Valve Control, Stop/Strainer-Check Valves and Foot Activation (Non-Sectional) WF2500, WF2600, WF2700, WF2800, WF3200, TDB3100 Series

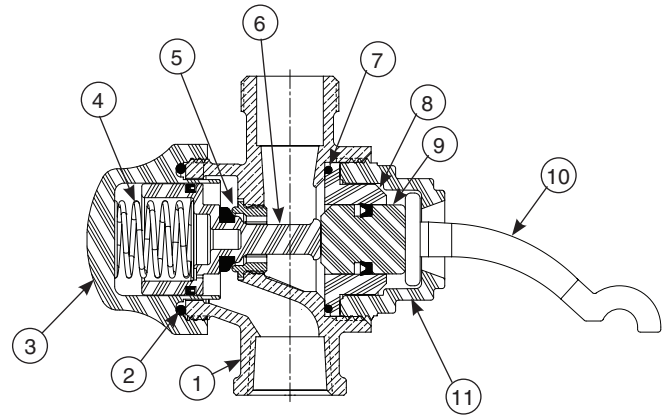
P.O. Box 309 • Menomonee Falls, WI 53052-0309 • 1 800 BRADLEY • 262 251 6000 • bradleycorp.com

Heavy Duty Foot Valve (S07-066HD)



Foot valve activation is not available on TDB3100 Series models.

Item	Part No.	Qty	Description
1	118-302	1	Foot Valve Body
2	125-154	1	O-Ring
3	118-300	1	Foot Valve Cover (Blue)
4	135-088	1	Spring, Foot Valve
5	117-016	1	Valve Seat
6	S64-093	1	Plunger Assembly
7	125-199	1	O-Ring
8	179-109	1	Piston Guide - HD Foot Valve
9	S64-097	1	Piston Assembly - HD Foot Valve
10	143-026	1	Operating Lever
11	110-101HD	1	Bottom Nut - HD Foot Valve (Black)



Heavy Duty Foot Valve Repair Kit (S65-425)

Item	Part No.	Qty	Description
1	118-300	1	Foot Valve Cover
2	135-088	1	Spring, Foot Valve
3	125-154	1	O-Ring
4	S64-093	1	Plunger Assembly
5	117-016	1	Valve Seat
6	269-1776	1	Lubricant
7	130-033	1	Key, Valve Seat
10	125-199	1	O-Ring
11	179-109	1	Piston Guide - HD
12	S64-097	1	Piston Assembly - HD
13	110-101HD	1	Bottom Nut - HD (Black)

