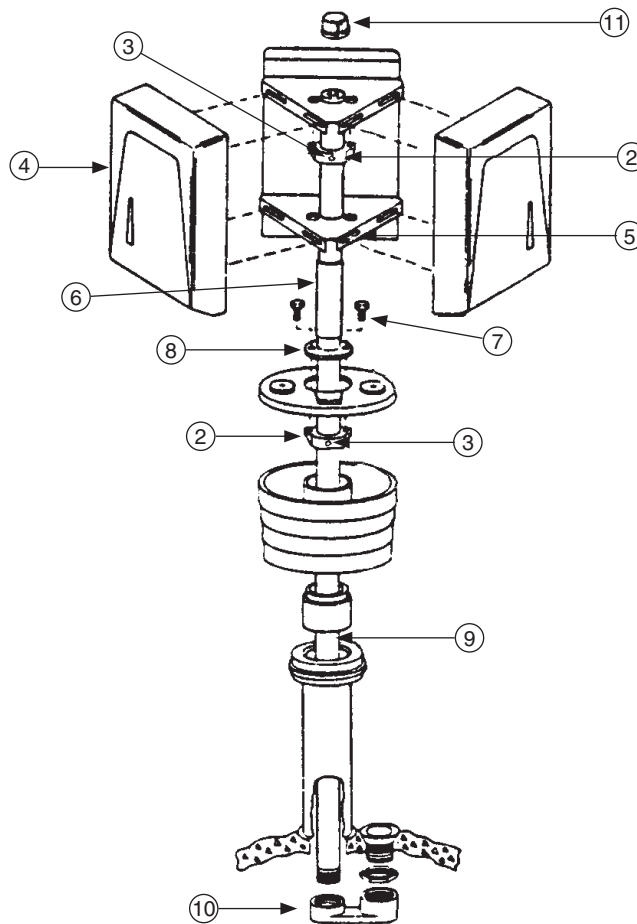




## Paper Towel Dispensers - Circular Washfountains with Tie Pipe



### Parts List

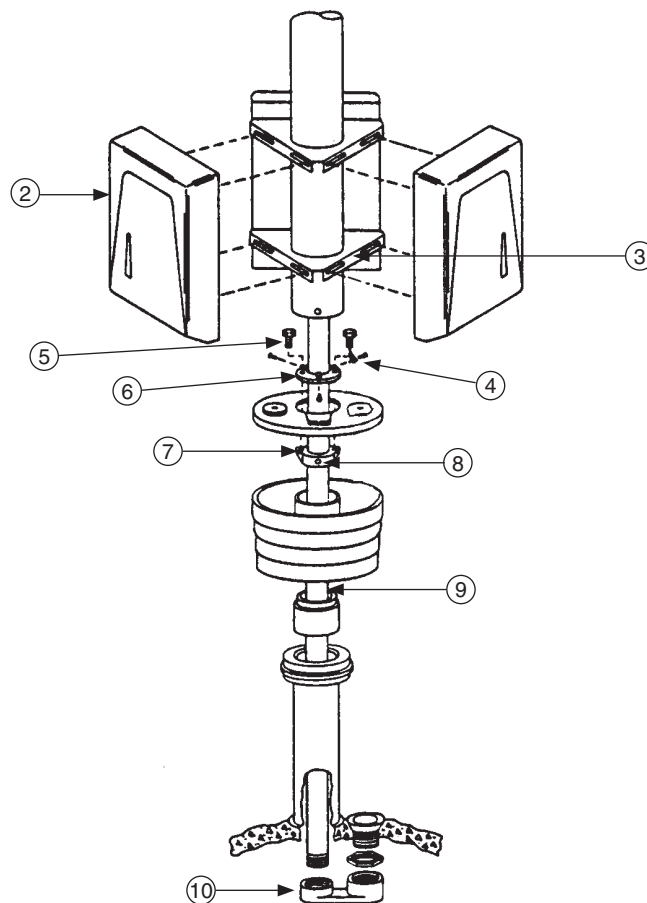
Item	Part No.	Description	54"	36"
			Quantity	
2**	159-020	Tie Bar	2	2
3**	160-208	Tie Bar Screw, #10-24 x 3/8" Hex Head (Totals for 2 Tie Bars)	6	6
4	S78-001	Towel Dispenser, C-Fold or Multi-Fold	3	3
*	S78-002	Towel Dispenser, Single Fold	3	3
5	S70-123	Towel Dispenser Mounting Bracket	2	2
6	113-170	Shroud Tube (Washfountains w/ Soap Dispenser)	1	1
*	113-168	Shroud Tube (Washfountains without Soap Dispenser)	1	1
7**	160-111	Cap Screw for Tie Bar, 1/4"-20 x 1/2" Hex Head	4	4
8	107-048	Cover - Type "H" Drain or Type "A" w/ Towel Dispensers	1	1
8	107-185	Cover - Type "B" Drain or Type "O" w/ Towel Dispensers	1	1
9	-	Vent Pipe or Support Pipe (Not Supplied by Bradley)	1	1
10	S70-082	Tie Pipe Bracket (Supplied only for Washfountains with Centrally Rising Vents)	1	1
11**	169-986A	Pipe Cap (For Washfountains without Centrally Rising Vents)	1	1

\* Not Illustrated

\*\* Included with Prepack S45-205



## Paper Towel Dispensers - Circular Washfountains with Shroud



### Parts List

Item	Part No.	Description	54"	36"
			Quantity	
2	S78-001	Towel Dispenser, C-Fold or Multi-Fold	3	3
*	S78-002	Towel Dispenser, Single Fold	3	3
3	S70-095	Towel Dispenser Mounting Bracket	2	2
*	160-169	Screw to Mount Brackets, 1/4-20 x 13/32" Round Head	6	6
4	160-138	Screw to Attach Shroud to Cover, #10-24 x 1/2" Button Head	3	3
5	160-111	Cap Screw for Tie Bar, 1/4-20 x 1/2" Hex Head	2	2
6	S04-029	Cover for Soap Dispensers or Sprayhead, All Supply Types	1	1
7	159-020	Tie Bar	-	1
8	160-208	Tie Bar Screw, #10-24 x 3/8" Hex Head	3	3
9	-	Vent Pipe or Support Pipe (Not Supplied by Bradley)	1	1
10	S70-082	Tie Pipe Bracket Assembly (Supplied Only for Washfountains without Centrally Rising Vents)	1	1

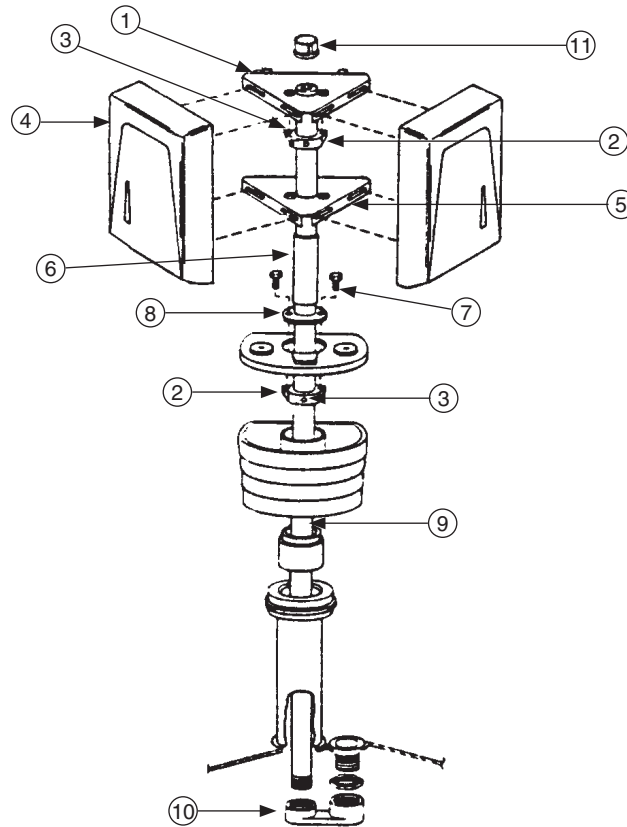
\* Not Illustrated



# Towel Dispensers WF2500, WF2600, WF2700, WF2800, WF3200, TDB3100 Series

P.O. Box 309 • Menomonee Falls, WI 53052-0309 • 1 800 BRADLEY • 262 251 6000 • bradleycorp.com

## Paper Towel Dispensers - Semi-Circular Washfountains with Tie Pipe



### Parts List

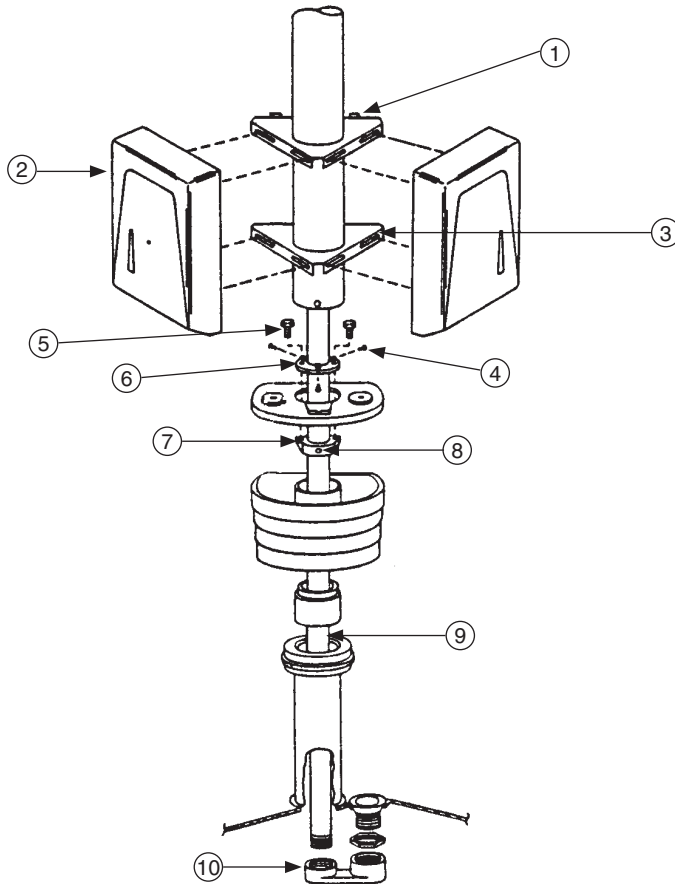
Item	Part No.	Description	54"	36"
			Quantity	
1	140-212	Restraining Bracket, Terrazzo or Terreon Bowl	-	2
1	140-212A	Restraining Bracket, Terrazzo or Terreon Bowl	2	-
1	140-212B	Restraining Bracket, Stainless Steel or Bradstone Bowl	-	2
1	140-212C	Restraining Bracket, Stainless Steel or Bradstone Bowl	2	-
2**	150-020	Tie Bar	2	2
3**	160-208	Tie Bar Screw, #10-24 x 3/8" Hex Head (Totals for 2 Tie Bars)	6	6
4	S78-001	Towel Dispenser, C-Fold or Multi-Fold	2	2
*	S78-002	Towel Dispenser, Single Fold	2	2
5	S70-123	Towel Dispenser Mounting Bracket	2	2
6	113-170	Shroud Tube (Washfountains with Soap Dispenser)	1	1
*	113-168	Shroud Tube (Washfountains without Soap Dispensers)	1	1
7**	160-111	Cap Screw for Tie Bar, 1/4-20 x 1/2" Hex Head	4	4
8	107-048	Cover - Type "H" Drain or Type "A" with Towel Dispensers	1	1
8	107-185	Cover - Type "B" Drain or Type "O" with Towel Dispensers	1	1
9	-	Vent Pipe or Support Pipe (Not Supplied by Bradley)	1	1
10	S70-082	Tie Pipe Bracket (Supplied Only for Washfountains without Centrally Rising Vents)	1	1
11**	169-986A	Pipe Cap (For Washfountains without Centrally Rising Vents)	1	1

\* Not Illustrated

\*\* Included with Prepack S45-205



## Paper Towel Dispensers - Semi-Circular Washfountains with Shroud



### Parts List

Item	Part No.	Description	54"	36"
			Quantity	
1	140-212	Restraining Bracket, Terrazzo or Terreon Bowl	-	2
1	140-212A	Rrestraining Bracket, Terrazzo or Terreon Bowl	2	-
1	140-212B	Restaining Bracket, Stainless Steel or Bradstone Bowl	-	2
1	140-21C	Restraining Bracket, Stainless Steel or Bradstone Bowl	2	-
2	S78-001	Towel Dispenser, C-Fold or Multi-Fold	3	3
*	S78-002	Towel Dispenser, Single Fold	3	3
3	S70-095	Towel Dispenser Mounting Bracket	2	2
*	160-169	Screw to Mount Brackets, 1/4-20 x 13/32" Round Head	6	6
4	160-138	Screw to Attach Shroud to Cover, #10-24 x 1/2" Button Head	3	3
5**	160-111	Cap Screw for Tie Bar, 1/4-20 x 1/2" Hex Head	2	2
6	S04-029	Cover for Soap Dispensers or Sprayhead, All Supply Types	1	1
7**	159-020	Tie Bar	1	1
8**	160-208	Tie Bar Screw, #10-24 x 3/8" Hex Head	3	3
9	-	Vent Pipe or Support Pipe (Not Supplied by Bradley)	1	1
10	S70-082	Tie Pipe Bracket Assembly (Supplied Only for Washfountains without Centrally Rising Vents)	1	1

\* Not Illustrated

\*\* Included with Prepack S45-205