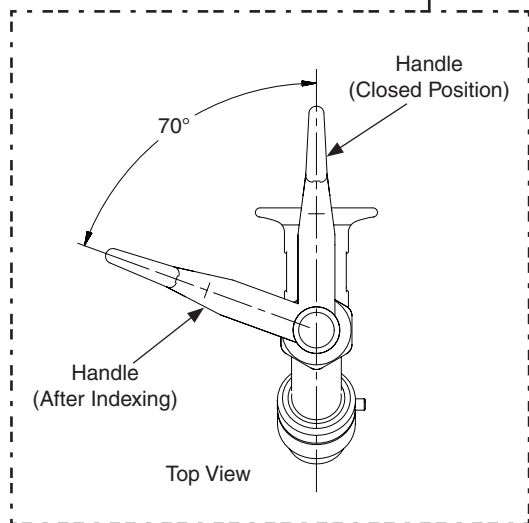
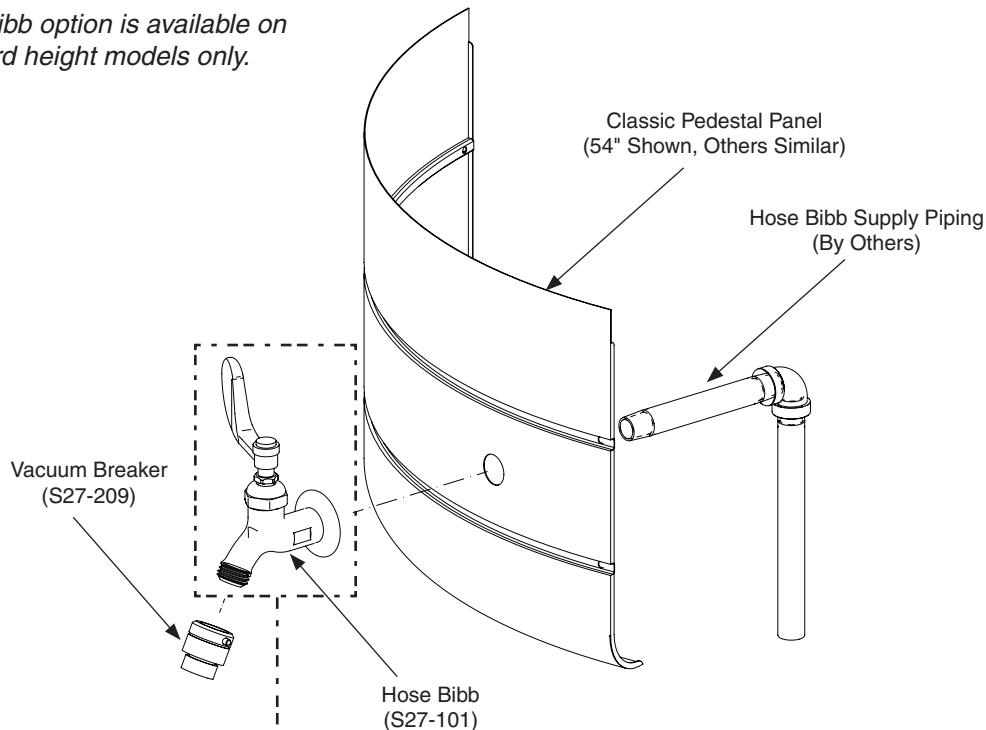




Optional Hose Bibb



Hose bibb option is available on standard height models only.



Bradley's classic washfountain hose bibb option includes a hose bibb assembly (including vacuum breaker) and pedestal modified with a 1" hole. All other supply piping is by others. Supply piping should be 1/2" nominal brass or iron pipe (plumbed to hole in panel when panel is installed on pedestal) with 1/2" - 5/8" stub out.

A Before installing hose bibb assembly, set handle in off position.

B Remove blue screw cap and screw. Remove handle and index handle approximately 70° and replace screw and screw cap.