

- Recess-Mounted
- Chrome-Plated

**Product Materials**

**HOUSING:** chrome-plated brass.  
**SOAP TRAY:** heavy clear plastic.

**Operation**

Soap tray is removable for cleaning.

**Installation**

Verify all rough-in dimensions prior to installation. Requires rough wall opening 4½"W x 4½"H x 1¼"D. Secure to framing with screws (included) at holes provided.

**Optional Features**

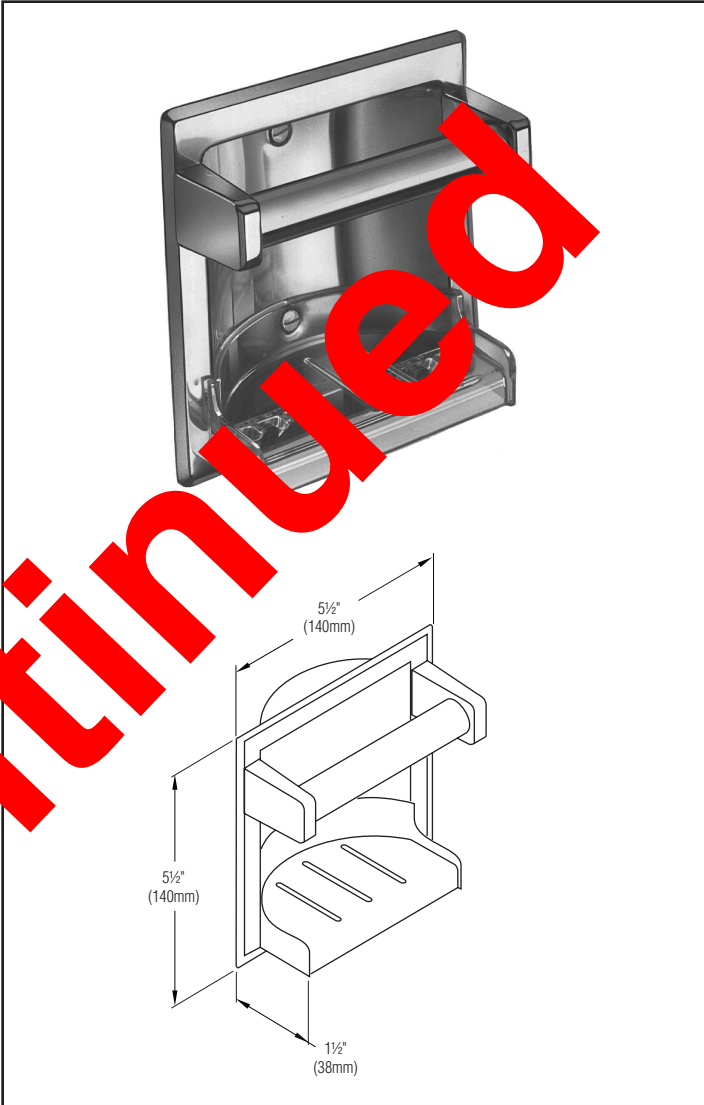
Feature	Suffix
<input type="checkbox"/> Back clamp for gypsum wallboard mounting	-55

**Guide Specification**

Recessed soap dish shall be chrome-plated brass with removable soap tray.

**Overall dimensions: 5½"W x 5½"H x 2"D.**

**⚠ WARNING: Towel bar is not to be used as a grab bar.**



Washroom Accessories  
 Document No. 8940

This information is subject to change without notice.  
 Always consult local and national codes for proper installation guidelines.  
 Conformity and compliance to local and national codes is the responsibility of the installer.

11-10-2009

© 2009 Bradley Corporation  
 P.O. Box 309, Menomonee Falls, WI 53052-0309  
 Phone: 800.BRADLEY (800.272.3539) Fax: 262.253.4161  
 bradleycorp.com