



- ☑ Recessed
- ☑ Large Capacity
- ☑ **Bradex**<sup>®</sup>

### Product Materials

**FACEPLATE:** 22 gauge stainless steel with exposed surfaces in architectural satin finish.

**CONTAINER:** heavy gauge galvanized steel.

### Capacity

One box of 300 facial tissues.

### Operation

Friction catches permit easy and quick removal of faceplate for servicing.

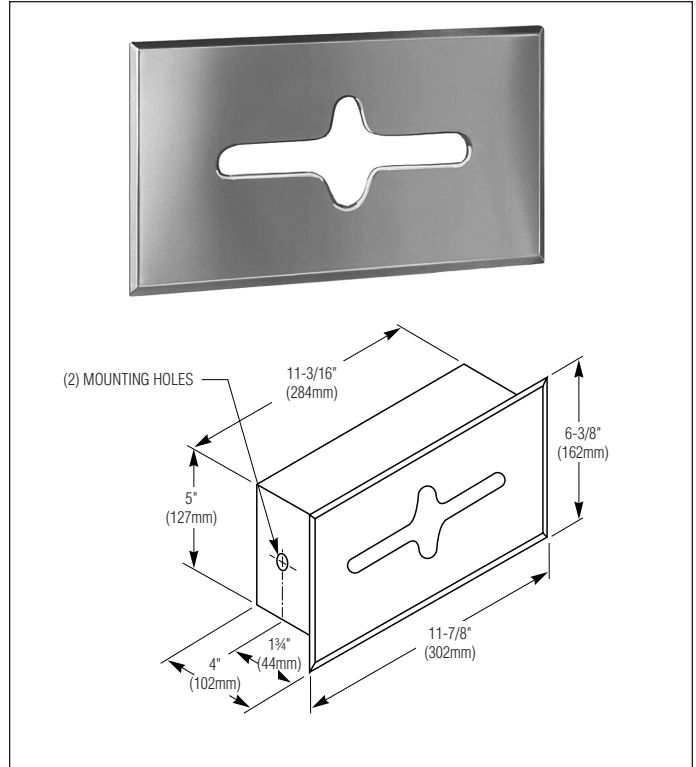
### Installation

Verify all rough-in dimensions prior to installation. Requires rough wall opening 11-5/16"W x 5 1/8"H x 4"D. Secure to framing with mounting screws (included) at holes provided. Shim at screw points as required.

### Guide Specification

Recessed facial tissue dispenser shall be fabricated of 22 gauge stainless steel with exposed surfaces in satin finish. In-wall cabinet of cold-rolled, corrosion-resistant galvanized steel holds extra large 300-tissue pack.

**Overall dimensions: 11-7/8"W x 6-3/8"H x 4"D.**



Orders composed of products indicated as **Bradex**<sup>®</sup> will be available to ship in three days after receipt of order at the factory. There is no pricing penalty for this service from Bradley.