

Recessed

Product Materials

FACEPLATE: chrome-plated steel.

Capacity

One box of 200 facial tissues.

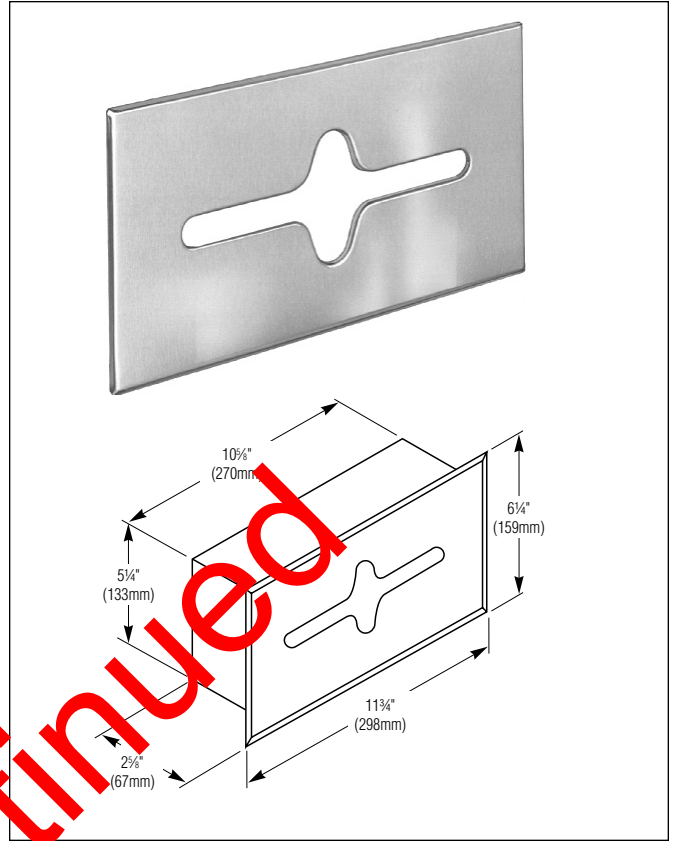
Operation

Snap-on cover.

Guide Specification

Recessed facial tissue dispenser shall be fabricated of chrome-plated steel with snap-on cover. Holds standard 200-tissue pack.

Overall dimensions: 11 $\frac{3}{4}$ "W x 6 $\frac{1}{4}$ "H x 2 $\frac{5}{8}$ "D.



Washroom Accessories
Document No. 9120

This information is subject to change without notice.

Always consult local and national codes for proper installation guidelines. Conformity and compliance to local and national codes is the responsibility of the installer.

4-1-2010

© 2010 Bradley Corporation
P.O. Box 309, Menomonee Falls, WI 53052-0309
Phone: 800.BRADLEY (800.272.3539) Fax: 262.253.4161
bradleycorp.com