



S19-120FM Flush-Mounted Drench Shower

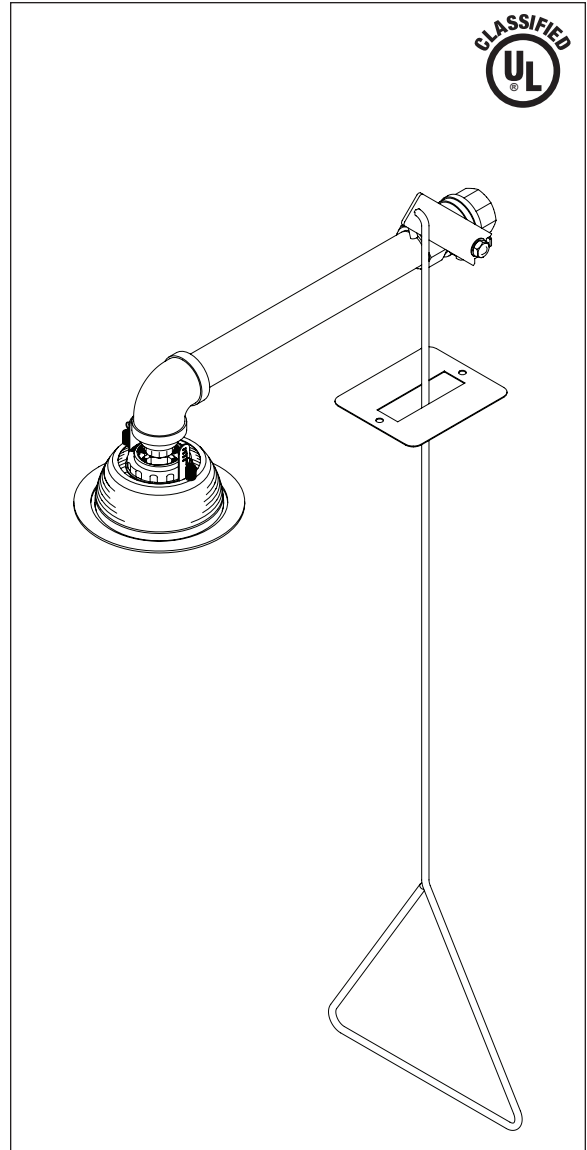
- Exceeds American National Standard Z358.1 Specifications
- Galvanized Steel Protected with BradTect® Safety Yellow Coating
- Flush-Mounted with Concealed Pipe and Fittings
- Universal Identification Sign and Inspection Tag Included
- Full, One-Year Warranty
- SpinTec™ showerheads are covered by one or more of the following patents: 8113446; D594,089; D669,555; Reg. Comm. Des. D001079560-0001. Other patents pending.
- Classified by Underwriters Laboratory Inc. to ANSI Z358.1

Specifications

Integral flange mounts flush with finished ceiling. Showerhead is plastic, shroud is painted white steel, and the pull rod is stainless steel. Galvanized steel piping is additionally protected with BradTect® safety yellow coating. Shower provides a superior washdown with a more even spray pattern.

Drench shower is designed to accommodate standard 8' ceiling height. ANSI Z358.1 compliant drench showers are mounted between 82"-96" from the lower edge of the showerhead or shroud to the floor.

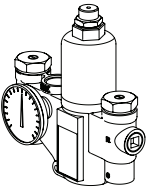
This plumbing fixture is not intended to dispense water for human consumption through drinking or for preparation of food or beverages.



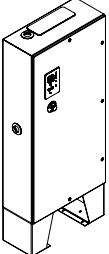
Model	Description
<input type="checkbox"/> S19-120FM	Flush-Mounted Drench Shower w/ Horizontal Supply
<input type="checkbox"/> S19-2150	Navigator EFX20 - Emergency Thermostatic Mixing Valve

Tepid Water Options

[Navigator S19-2150 EFX20
Emergency Thermostatic Mixing Valve](#)



[Keltech SNA-Series
Tankless Water Heater](#)



NAVIGATOR

Satisfies ANSI/ISEA Z358.1 tepid water requirements.

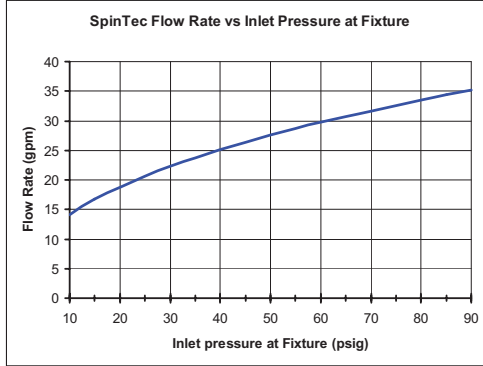


S19-120FM Flush-Mounted Drench Shower

Standard Equipment

SpinTec™ Showerhead

3.1" (78.7mm) diameter highly visible yellow impact-resistant plastic. SpinTec drench showerhead features integral 22 GPM (83.3 L) flow control, conserving water and helping to accurately size your tepid water system.



Shower Valve

Chrome-plated brass 1" NPT stay-open ball valve. Operated by stainless steel pull rod with triangular handle.

Pipe and Fittings

Concealed galvanized steel with BradTect® safety yellow coating.

Water Supply

1" NPT horizontal.

