



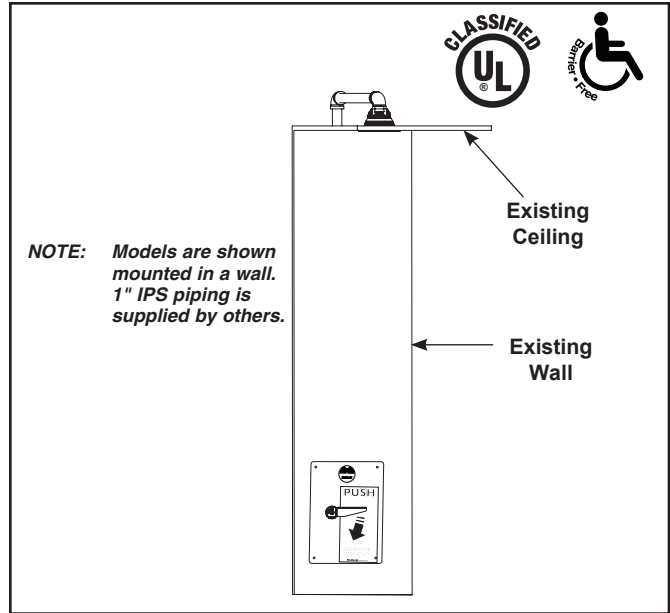
# S19-125SBF, S19-125SFMBF Barrier-Free Recessed Drench Shower

- Exceeds American National Standard Z358.1 Specifications
- Sturdy One-Piece Cabinet for Quick and Easy Installation
- Full, One-Year Warranty
- SpinTec™ showerheads are covered by one or more of the following patents: 8113446; D594,089; D669,555; 8,490,895; Reg. Comm. Des. D001079560-0001. Other patents pending.
- Classified by Underwriters Laboratory Inc. to ANSI Z358.1

## Specifications

Barrier-free design makes this shower and eyewash fully accessible to people with physical disabilities. This unit is designed to accommodate areas where space considerations are a concern. Such areas may include, but are not limited to, laboratories, hospitals, and schools. This ensures no obstructions protrude from the wall at any time. Shower valve activates when handle is pushed downward. No tight pinching or grasping is required to activate. Showerhead is designed for varying water supply pressures of 30–90 PSI ensures a minimum flow of 20 GPM for ANSI compliance.

- ANSI Z358.1 compliant drench showers are mounted between 82"–96" from the lower edge of the showerhead or shroud to the floor.**
- This plumbing fixture is not intended to dispense water for human consumption through drinking or for preparation of food or beverages.**



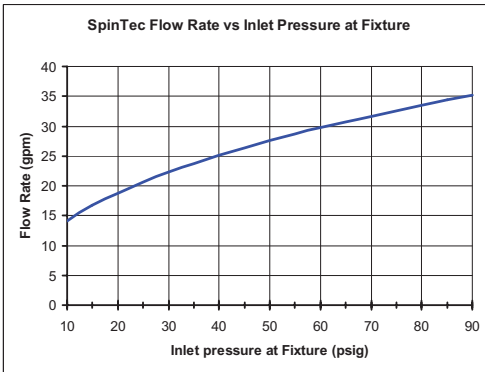
## Standard Equipment

### Cabinet and Optional Cover Plate

Stainless Steel. Optional cover plate for models with surface-mounted handle.

### SpinTec™ Showerhead

3.1" (78.7mm) diameter highly visible yellow impact-resistant plastic with optional 10¾" (273mm) diameter corrosion-resistant stainless steel shroud. SpinTec drench showerhead features integral 22 GPM (83.3 L) flow control, conserving water and helping to accurately size your tepid water system.



### Shower Valve

Chrome-plated brass 1" NPT stay-open ball valve. Hand operated by a black powder-coated stainless steel handle when pushed downward.

### Pipe and Fittings

1" brass and copper components.

### Water Supply

1" NPT. Piping is supplied by others.

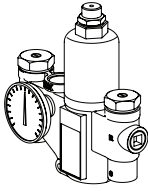
## Installation

A rough wall opening of 6"W x 10"H x 4"D is required for Models S19-125SBF and S19-125SFMBF.

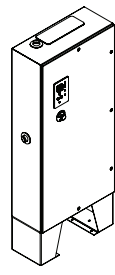
Model	Description
<input type="checkbox"/> S19-125SBF	Barrier-Free Recessed Drench Shower with Surface-Mounted Handle (Cover Plate Included) and <b>Extended Showerhead</b>
<input type="checkbox"/> S19-125SFMBF	Barrier-Free Recessed Drench Shower with Surface-Mounted Handle (Cover Plate Included) and <b>Flush-Mounted Showerhead</b>
<input type="checkbox"/> S19-2150	Navigator EFX20 - Emergency Thermostatic Mixing Valve

### Tepid Water Options

[Navigator S19-2150 EFX20  
Emergency Thermostatic Mixing Valve](#)



[Keltech SNA-Series  
Tankless Water Heater](#)



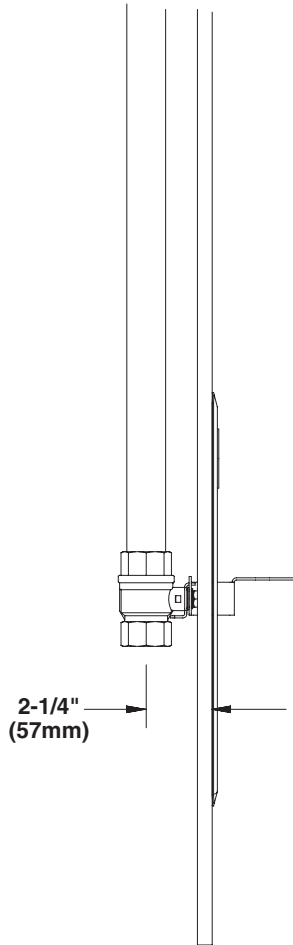
**NAVIGATOR**

Satisfies ANSI/ISEA Z358.1 tepid water requirements.

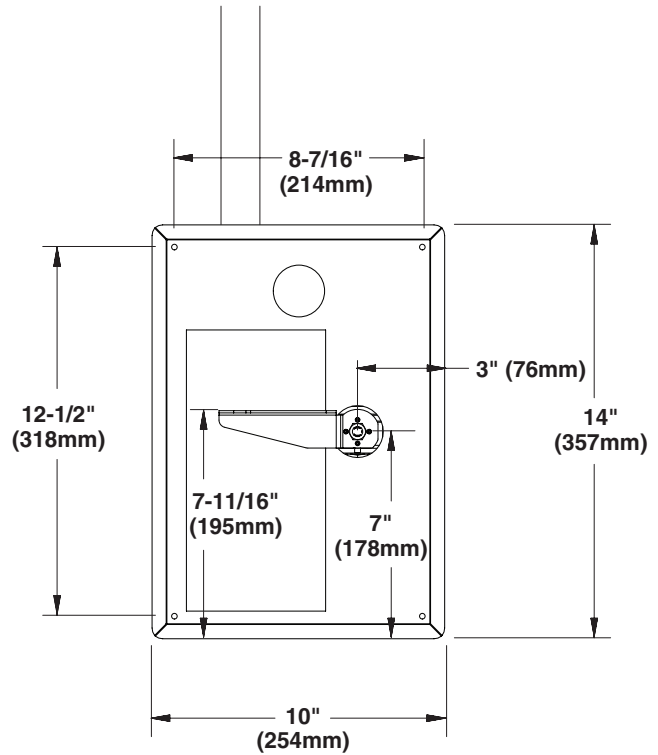


## S19-125 Series Cabinet Dimensions

**Side View**



**Front View**





# S19-125SBF, S19-125SFMBF Barrier-Free Recessed Drench Shower

