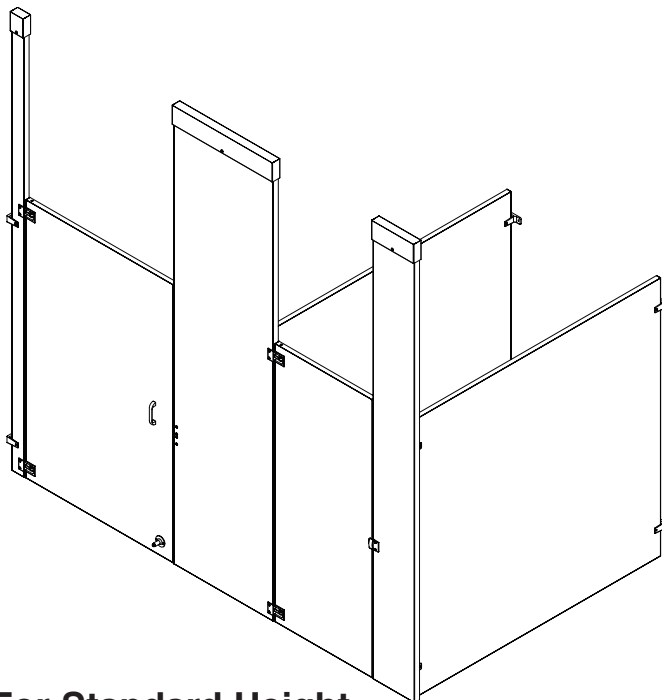


Installation

Plastic Laminate Restroom Partitions Ceiling-Hung — Series 600

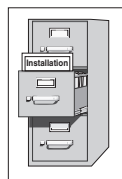
Table of Contents

Pre-Installation Information	2
Layout Dimensions for Brackets	3
Mounting Brackets to Wall	4
Leveling Brackets to Pilasters	5
Mounting Brackets to Pilasters	5-6
Pilaster Mounting Hardware	6
Panels & Pilasters	7-8
Pilaster Shoes	9
Hinges	9-11
Latch and Strike/Keeper	12-13
Urinal Screens	14-15



**For Standard Height
Doors and Panels Only**

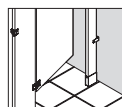
IMPORTANT



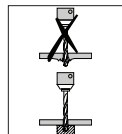
Read this installation manual completely to ensure proper installation, then file it with the owner or maintenance department. This installation manual provides instruction for the assembly of normal partition configurations and standard components. Non-standard configurations or components including but not limited to curved or angled walls, partial walls, oversized panels, or modified hardware are not covered in this manual. Compliance and conformity to local codes and ordinances is the responsibility of the installer.



Separate parts from packaging and make sure all parts are accounted for before discarding packaging material. If any parts are missing, do not begin installation until you obtain the missing parts. To prevent warping, always lay the material flat. Do not lean the material against the wall or stack unevenly.



Before beginning installation, make sure that the wall and floor backing are adequate to support the secure mounting of the toilet compartment units.



To minimize break-out, always use a support block when drilling through plastic laminate material. Use caution when drilling. Accuracy is important!



Product warranties and parts information may be found on Bradley's web site at bradleycorp.com.



Supplies Required:

- Chalk line and pencil
- Tape measure and 4' level
- Jigsaw (or hacksaw) and circular saw
- Two spring clamps
- 1/8", 5/32", 1/4", and 3/8" drill bits
- Power drill or screw gun with drill bit extension
- 5/16" ceramic tile and masonry drill bit
- Hammer drill
- Spacer, 12" (305mm) high and strong enough to support weight of panel

Hardware Provided

3/8" - 16 x 6" Threaded Rod FAST-T5416

1 1/4" Sq. x Ø 3/8" Washer, Beveled FAST-T680

#10-24 x 2" Flat-Head Machine Screw Torx-T25 Drive FAST-Z0027

#14-16 Plastic Anchor FAST-T373

3/8" Flat Washer FAST-L376

3/8"-16 Hex Nut FAST-T375

3/8" Lockwasher FAST-T377

#14 x 2" Button-Head Sheet Metal Screw Torx-T27 Drive FAST-Z002 (Chrome Plated)

#14 x 2" Button-Head Sheet Metal Screw Torx-T27 Drive FAST-P002 (Stainless)

#14 x 5/8" Button-Head Sheet Metal Screw Torx-T27 Drive FAST-Z0016

#10 x 5/8" Button-Head Sheet Metal Screw Torx-T27 Drive FAST-Z0019

#10 x 1" Button-Head Sheet Metal Screw Torx-T27 Drive FAST-Z0028

#10 x 3/4" Flat-Head Sheet Metal Screw Torx-T25 Drive FAST-Z0006

1/4" - 14 x 5/8" Sheet Metal Screw Torx-T27 Drive FAST-S355A

#10-24 x 1/2" Button-Head Shoulder Screw Torx-T27 Drive FAST-S0018

#10-24 x 3/4" Button-Head Shoulder Screw Torx-T27 Drive FAST-P004 (Stainless)

#10-24 x 3/4" Button-Head Shoulder Screw Torx-T27 Drive FAST-Z004 (Chrome Plated)

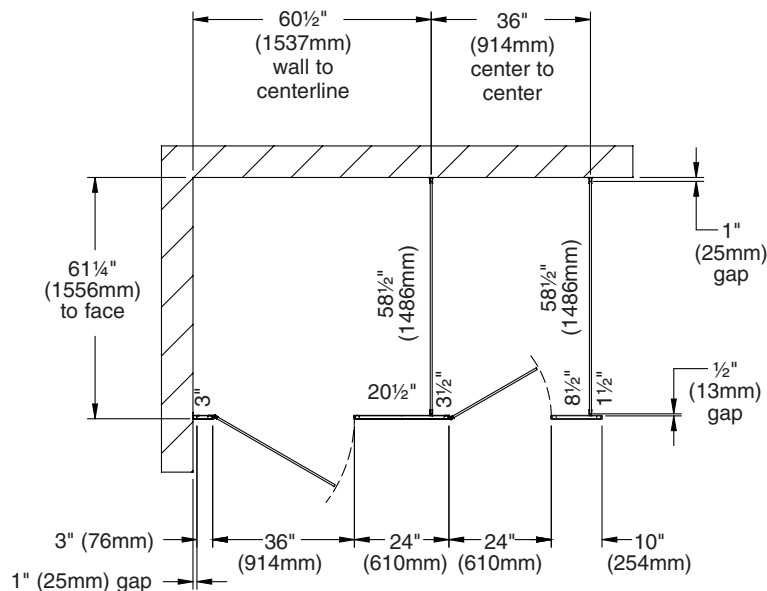
#10-24 x 1" Button-Head Shoulder Screw Torx-T27 Drive FAST-Z004A (Chrome Plated)

#10-24 x 1" Button-Head Shoulder Screw Torx-T27 Drive FAST-P004A (Stainless)


#10-24 x 3/4" Button-Head Barrel Nut Torx-T27 Drive FAST-P003 (Stainless)

#10-24 x 3/4" Button-Head Barrel Nut Torx-T27 Drive FAST-Z003 (Chrome Plated)

Example of Submittal Drawing



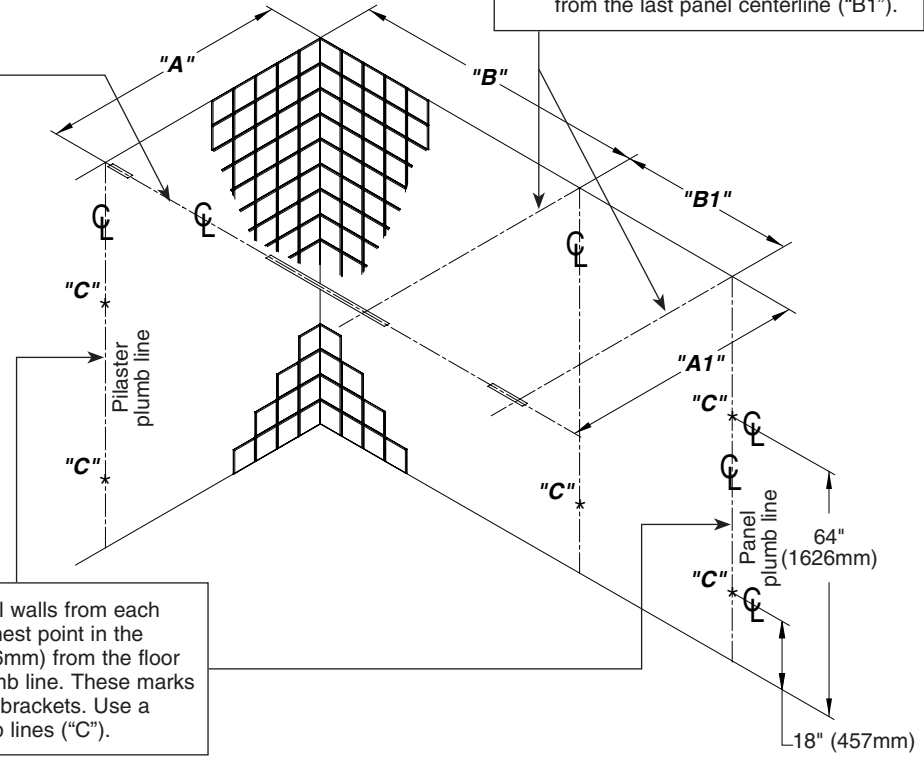
1 Layout Dimensions - Stirrup Bracket (Standard)

 When installing the partition components, consult the applicable Mills Partition submittal drawing for compartment layout dimensions.

A **Pilaster centerline:** Measure from the back wall forward to the face of the compartment, subtract $\frac{5}{8}$ " (16mm) and mark this location on the ceiling ("A"). Mark the same measurement on the opposite end of your layout ("A1") and draw a straight line connecting both marks.


FOR FREESTANDING (FS) PARTITIONS: Refer to submittal drawings and determine the approximate location of the outside panels. Establish dimensions "A" and "A1" as explained above.

B **Panel centerline:** Measure the stall width across the back wall and place a mark at the top of the rear wall ("B"). Repeat this step for each panel, starting each measurement from the last panel centerline ("B1").



C **Stirrup brackets:** Draw a plumb line on all walls from each pilaster and panel centerline. From the highest point in the room, measure 18" (457mm) and 64" (1626mm) from the floor and place a mark on the pilaster/panel plumb line. These marks represent the hole center line of the stirrup brackets. Use a level to transfer that mark to all other plumb lines ("C").

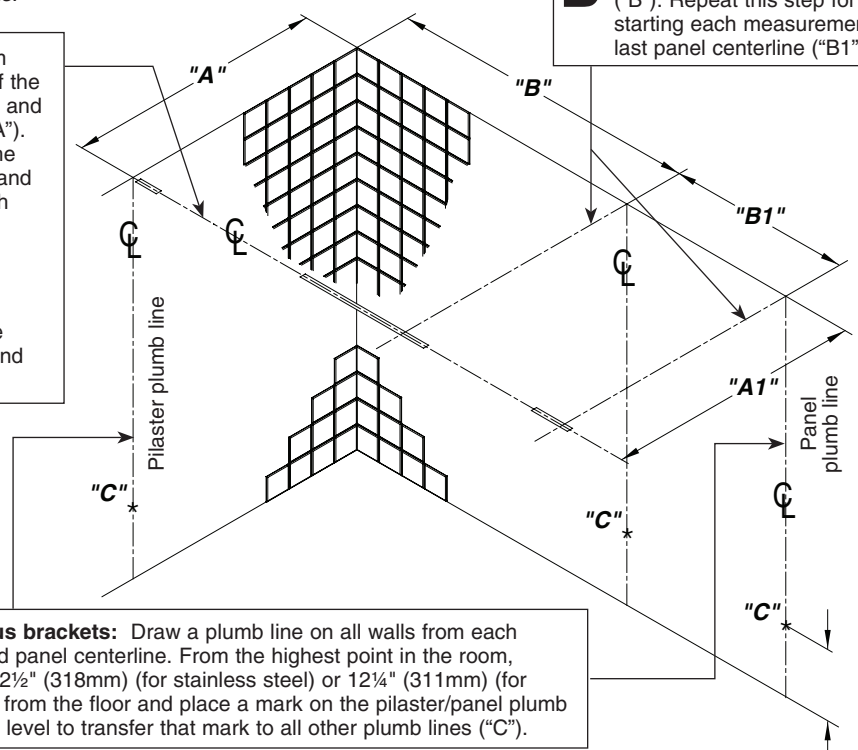
1a Layout Dimensions - Continuous Bracket (Optional)

 When installing the partition components, consult the applicable Mills Partition submittal drawing for compartment layout dimensions.

A **Pilaster centerline:** Measure from the back wall forward to the face of the compartment, subtract $\frac{5}{8}$ " (16mm) and mark this location on the ceiling ("A"). Mark the same measurement on the opposite end of your layout ("A1") and draw a straight line connecting both marks.

FOR FREESTANDING (FS) PARTITIONS: Refer to submittal drawings and determine the approximate location of the outside panels. Establish dimensions "A" and "A1" as explained above.

B **Panel centerline:** Measure the stall width across the back wall and place a mark at the top of the rear wall ("B"). Repeat this step for each panel, starting each measurement from the last panel centerline ("B1").



C **Continuous brackets:** Draw a plumb line on all walls from each pilaster and panel centerline. From the highest point in the room, measure $12\frac{1}{2}$ " (318mm) (for stainless steel) or $12\frac{1}{4}$ " (311mm) (for aluminum) from the floor and place a mark on the pilaster/panel plumb line. Use a level to transfer that mark to all other plumb lines ("C").

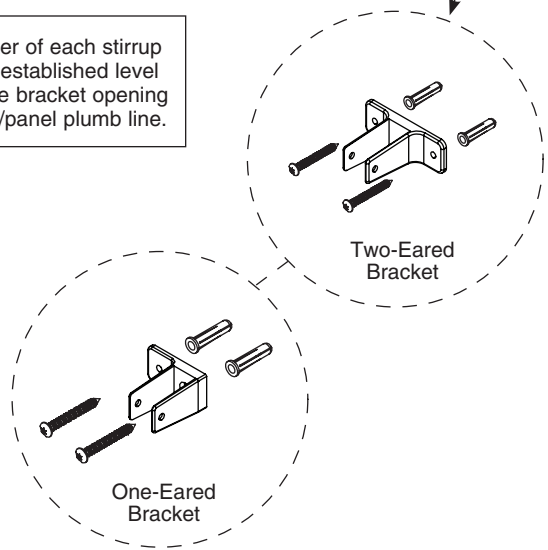
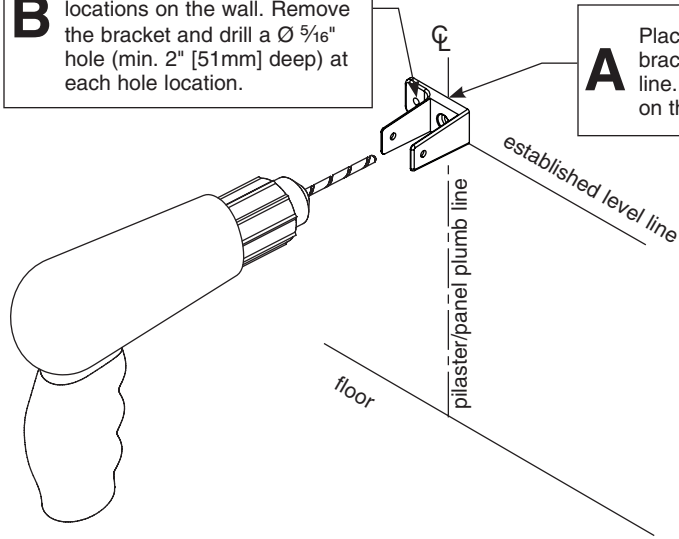
2 Stirrup Brackets to Wall (Standard)

- ✓ On end panel and pilaster applications, position the bracket with the ear facing toward the inside of the stall.
- ✓ Pilaster bracket is shown here; 1¼" opening brackets are for pilasters, and 1" opening brackets are for panels.

C Insert the plastic anchors in all holes and secure the brackets to the wall with the #14 x 2" (chrome plated) screws provided.

B Using the bracket as a template, mark the hole locations on the wall. Remove the bracket and drill a Ø 5/16" hole (min. 2" [51mm] deep) at each hole location.

A Place the center of each stirrup bracket at the established level line. Center the bracket opening on the pilaster/panel plumb line.



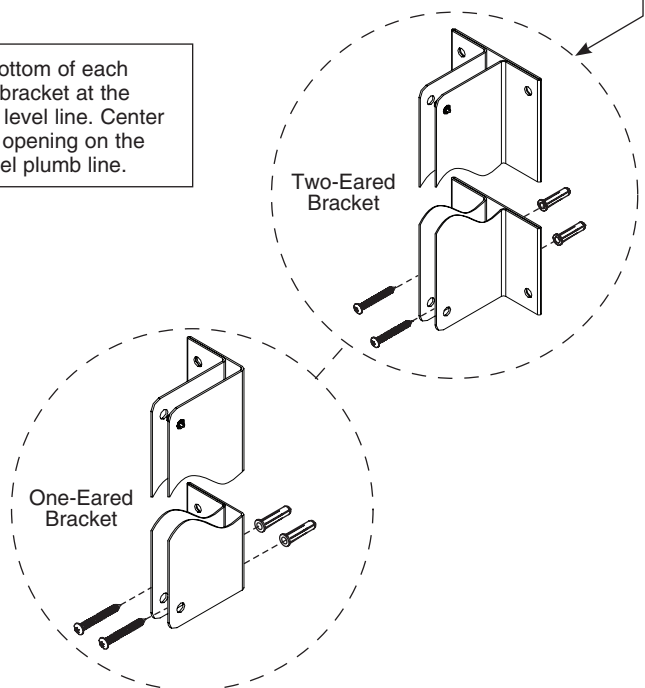
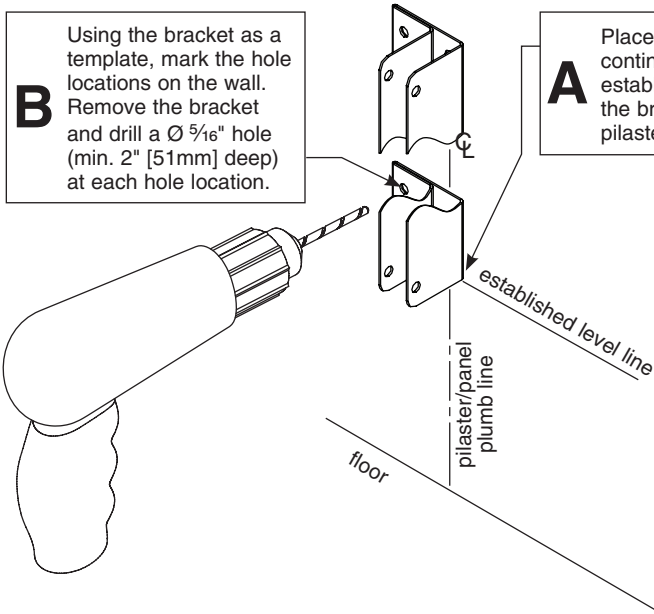
2a Continuous Brackets to Wall (Optional)

- ✓ On end panel and pilaster applications, position the bracket with the ear facing toward the inside of the stall.
- ✓ Pilaster bracket is shown here; 1¼" opening brackets are for pilasters, and 1" opening brackets are for panels.
- ✓ Brackets are used as templates but since the hole patterns may be different, the brackets may not be interchangeable.

C Insert the plastic anchors in all holes and secure the brackets to the wall with the #14 x 2" (stainless) screws provided.

B Using the bracket as a template, mark the hole locations on the wall. Remove the bracket and drill a Ø 5/16" hole (min. 2" [51mm] deep) at each hole location.

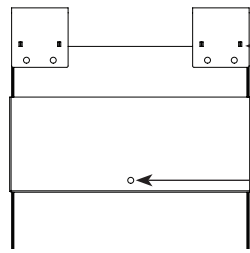
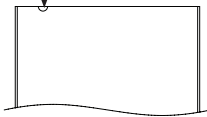
A Place the bottom of each continuous bracket at the established level line. Center the bracket opening on the pilaster/panel plumb line.



3 Leveling Brackets to Pilaster

- 3" and 4" pilasters only have one bracket
- Pre-drilled pilasters (Optional).

A Find top side of pilaster. Particle board will be visible from top side. Bottom side will be covered with laminate. Pre-drilled pilasters have notch at top side.



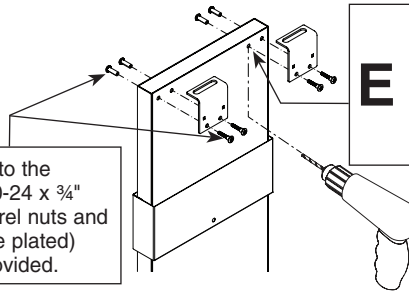
C Line up side of bracket with the side of pilaster. DO NOT let bracket overhang or shoe will not slide down over the bracket.

B Slide shoe onto top end of pilaster. Make sure the holes on the sides of the shoe are towards the bottom.

D Push bumps on bracket against the top end of the pilaster.



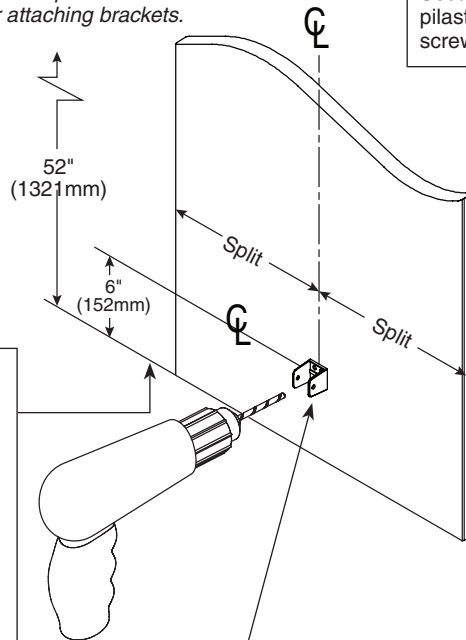
F Secure the bracket to the pilaster with the #10-24 x 3/4" (chrome plated) barrel nuts and #10-24 x 1" (chrome plated) shoulder screws provided.



E Using the bracket as a template, mark the hole locations on the pilaster. Remove the bracket and drill $\text{\O} \frac{1}{4}$ " (6mm) holes through the pilaster

4 Stirrup Brackets to Pilaster (Standard)

- Refer to the submittal drawing to locate the split dimension and layout location of each marked pilaster.
- If installing steel reinforced pilasters refer to label on pilaster for attaching brackets.



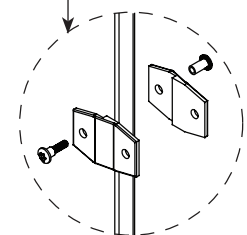
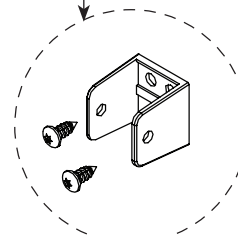
A Measure 6" (152mm) and 52" (1321mm) up from the bottom of the pilaster bracket and place a mark on the pilaster split centerline. These marks represent the level line for the stirrup brackets.

Pilaster shown is for reference only. Actual pilaster varies depending on application.

C Secure the Brackets

For Stirrup Brackets: Secure the bracket to the pilasters using the #14 x 5/8" screws provided.

For Alcove Brackets: Secure the brackets to the pilasters using the #10-24 x 1" (chrome plated) shoulder screws and #10-24 x 3/4" (chrome plated) barrel nuts and to the panels with the #10-24 x 3/4" (chrome plated) shoulder screws and #10-24 x 3/4" (chrome plated) barrel nuts provided.



For Alcove Bracket: Place the center of each bracket at the established level line. Using the bracket as a template, mark the hole locations on the pilaster. Remove the bracket and drill $\text{\O} \frac{1}{4}$ " holes through the pilaster at each pilaster bracket hole.

B Locate the Brackets

For Stirrup Bracket: Place brackets at each established level line. Center the bracket opening on the pilaster split centerline. Using the bracket as a template, mark the hole locations on the pilaster. Remove the bracket and drill a $\text{\O} \frac{5}{32}$ " x $\frac{5}{8}$ " (16mm) deep pilot hole at each location.

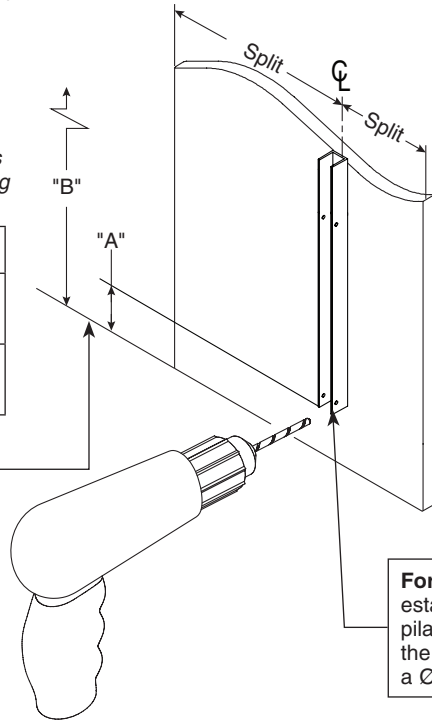
4a Continuous Brackets to Pilaster (Optional)

- Refer to the submittal drawing to locate the split dimension and layout location of each marked pilaster.
- Brackets are used as templates but since the hole patterns may be different, the brackets may not be interchangeable.
- If installing steel reinforced pilasters refer to label on pilaster for attaching brackets.

	Dim. "A"	Dim. "B"
Aluminum Bracket	¼" (6mm)	57¾" (1467mm)
Stainless Steel Bracket	½" (13mm)	57½" (1461mm)

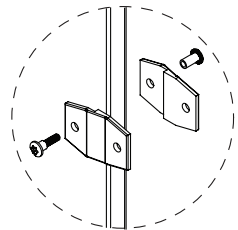
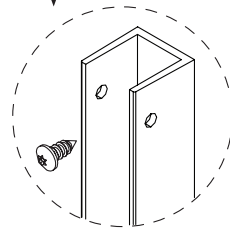
A Measure up from the bottom of each pilaster and place a mark on the pilaster split centerline at dimensions "A" & "B" for the respective bracket (see table).

Pilaster shown is for reference only. Actual pilaster varies depending on application.



C Secure the bracket to the pilasters using the #14 x 5/8" screws provided.

Refer to step 4 for attachment of alcove brackets



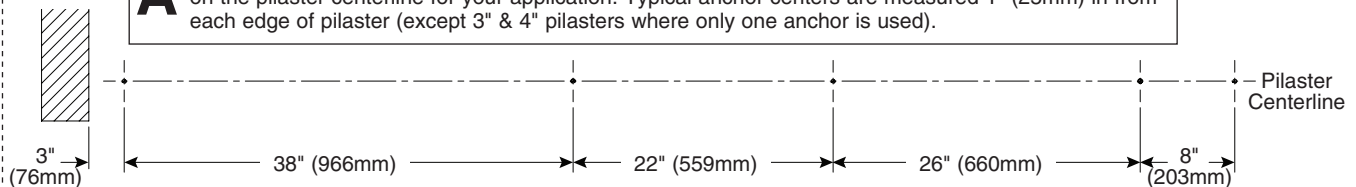
For Alcove Bracket: Place the center of each bracket at the established level line. Using the bracket as a template, mark the hole locations on the pilaster. Remove the bracket and drill Ø ¼" holes through the pilaster at each pilaster bracket hole.

B Locate the Brackets

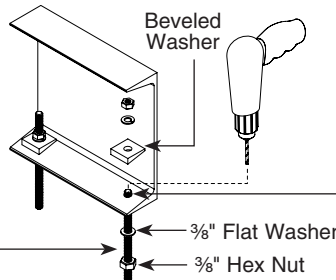
For Continuous Bracket: Place the bracket between each established level line. Center the bracket opening on the pilaster split centerline. Using the bracket as a template, mark the hole locations on the pilaster. Remove the bracket and drill a Ø 5/32" x 5/8" (16mm) deep pilot hole at each location.

5 Pilaster Mounting Hardware

A This view is an example only. Refer to your submittal drawings to determine placement of the anchors on the pilaster centerline for your application. Typical anchor centers are measured 1" (25mm) in from each edge of pilaster (except 3" & 4" pilasters where only one anchor is used).

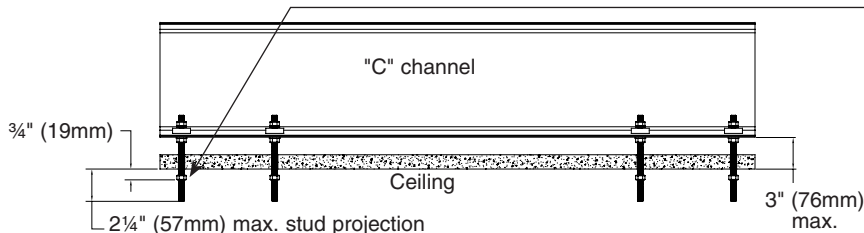


C Insert each threaded rod through the holes and secure with the beveled washer (if needed), lockwasher and nuts. Lock the threaded rod on the underside of the channel with the flat washer and nut. Attach a support nut to the underside of the "C" channel at each threaded rod (see "D" below).



B Drill a Ø 3/8" hole in the "C" channel.

"C" channel and ceiling (not included) required for ceiling hung partition installation.



D Starting at the highest point in the room, adjust the support nut approximately 3/4" (19mm) down from the finished ceiling. Level the remaining support nuts and washers to this height.

6 Panels and Pilasters with Stirrup Brackets (Standard)

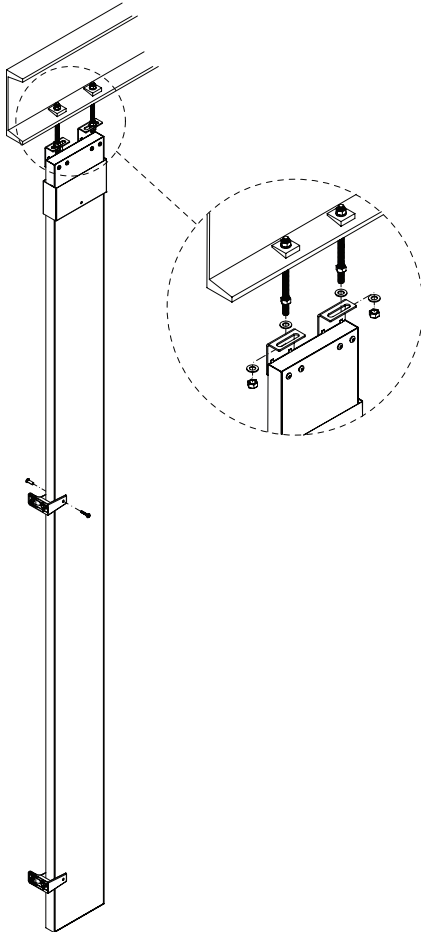
- Pilasters located at walls should be mounted first. Start at one end and install a panel, then a pilaster. Continue alternating until installation is complete. When installing in an alcove or in-corner alcove, use an alcove bracket to secure the pilaster to the panel.
- Check to make sure the pilasters are plumb and level to each other. The pilaster height can be adjusted by moving the support nuts on the threaded rods up or down.

Pilasters at Wall

- When installing pilasters at walls, the gaps range from ½" to 1¼" (13mm to 32mm). Refer to your submittal drawing for your gap sizes.

A Slide a washer onto each threaded rod.

B Set the pilaster mounting brackets onto the mounting hardware and at the same time placing the pilaster into the wall brackets. Then add a washer and nut to the underside of each stud and hand-tighten the hex nuts.



C Using the brackets as templates, drill Ø ¼" holes through the pilaster at each pilaster bracket hole.

D Secure the pilaster to the brackets with the #10-24 x ¾" (chrome plated) barrel nuts and #10-24 x 1" (chrome plated) shoulder screws.

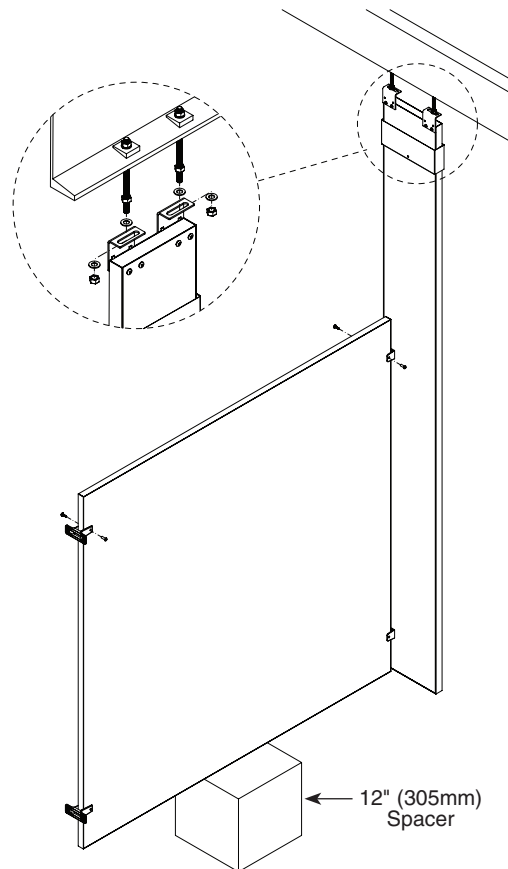
Panels with Pilasters

- Refer to your submittal drawing and leave the appropriate gaps. Standard gap is 1" (25mm) between the panel and wall and ½" (13mm) between the panel and pilaster.

A Place a panel on the spacer and insert the panel into the bracket.

B Slide a washer onto each threaded rod.

C Set the pilaster mounting brackets onto the mounting hardware and at the same time placing the pilaster into the wall brackets. Then add a washer and nut to the underside of each stud and hand-tighten the hex nuts.



D Using the brackets as templates, drill Ø ¼" holes through the panel at each panel bracket hole.

E Secure the pilaster to the panel and the panel to the wall brackets with the #10-24 x ¾" (chrome plated) barrel nuts and #10-24 x ¾" (chrome plated) shoulder screws.

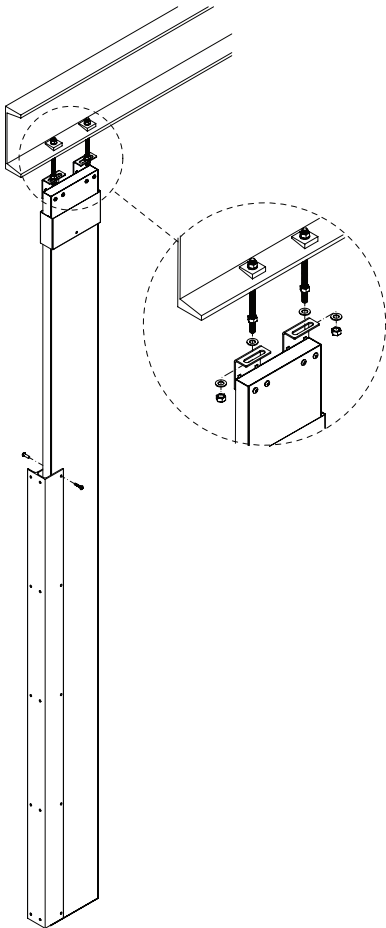
6a Panels and Pilasters with Continuous Brackets (Optional)

- Pilasters located at walls should be mounted first. Start at one end and install a panel, then a pilaster. Continue alternating until installation is complete. When installing in an alcove or in-corner alcove, use an alcove bracket to secure the pilaster to the panel.
- Check to make sure the pilasters are plumb and level to each other. The pilaster height can be adjusted by moving the support nuts on the threaded rod up or down.

Pilasters at Wall

- When installing pilasters at walls, the gaps range from ½" to 1¼" (13mm to 32mm). Refer to your submittal drawing for your gap sizes.

- A** Slide a washer onto each threaded rod.
- B** Set the pilaster mounting brackets onto the mounting hardware and at the same time placing the pilaster into the wall brackets. Then add a washer and nut to the underside of each stud and hand-tighten the hex nuts.

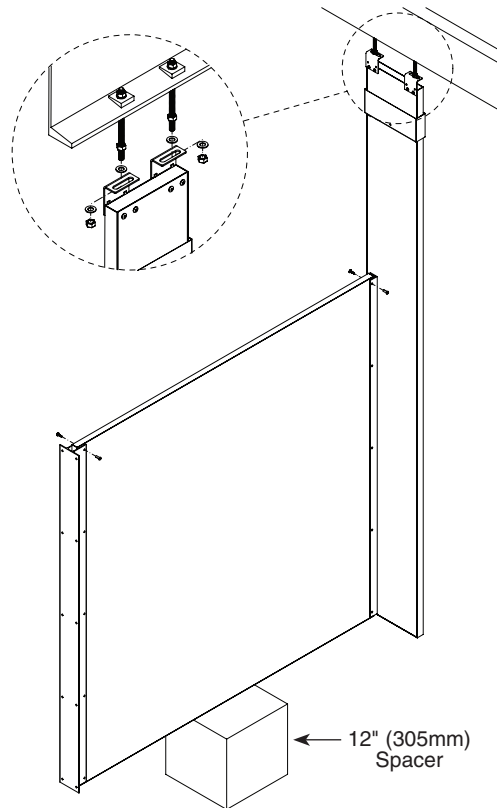


- C** Using the bracket as a template, drill Ø ¼" holes through the pilaster at each pilaster bracket hole.
- D** Secure the pilaster to the bracket with the #10-24 x ¾" (stainless) barrel nuts and #10-24 x 1" (stainless) shoulder screws for aluminum or stainless steel brackets.

Pilasters with Panels

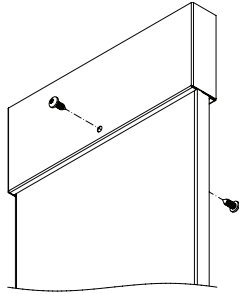
- Refer to your submittal drawing and leave the appropriate gaps. Standard gap is 1" (25mm) between the panel and wall and ½" (13mm) between the panel and pilaster.

- A** Place a panel on the spacer and insert the panel into the wall bracket.
- B** Slide a washer onto each threaded rod.
- C** Set the pilaster mounting brackets onto the mounting hardware placing the bracket around the panel. Then add a washer and nut to the underside of each stud and hand-tighten the hex nuts.



- D** Using the bracket as a template, drill Ø ¼" holes through the panel at each panel bracket hole.
- E** Secure the pilaster to the panel and the panel to the wall brackets with the #10-24 x ¾" (stainless) barrel nuts and #10-24 x ¾" (stainless) shoulder screws for aluminum or stainless steel brackets.

7 Secure Shoe to Pilaster



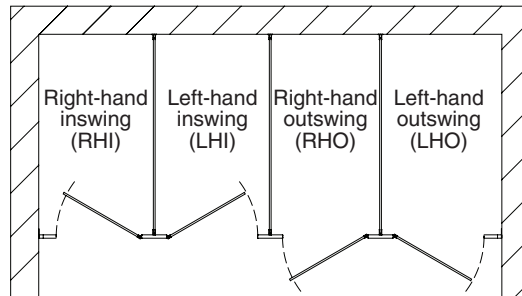
A

After panels and pilasters are secured with brackets, tighten the hex nut holding the pilaster to the mounting hardware and slide the shoe up into position. Using the hole in the shoe as a template, drill a $\varnothing \frac{5}{32}$ " pilot hole all the way through the pilaster. Secure the shoe to the pilaster with the $\frac{1}{4}$ -14 x $\frac{5}{8}$ " fasteners provided.

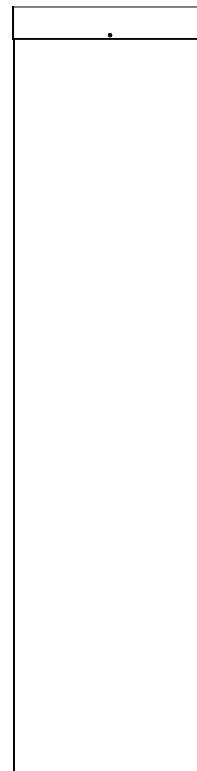
8 Wraparound Gravity Hinges (Standard)



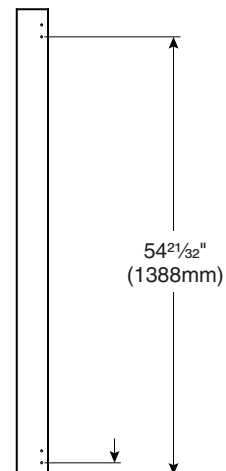
Before installing the hinges, make sure the door openings are the appropriate size, all pilasters are plumb, the pilaster mounting hardware is tightened securely and the shoe is attached to the pilaster. Determine the door swing by facing the compartment from the outside. Refer to your submittal drawings to determine each specific door swing for your application.



Ceiling Hung Pilaster



Wall Hung 58" (1473mm)



A Measure up $1\frac{3}{4}$ " (44mm) and $54\frac{21}{32}$ " (1388mm) from the bottom of the pilaster and mark a level line. This line represents the lower hole location of the top and bottom hinge.

B Using the hinge as a template, align the bottom hole with each level line and drill $\varnothing \frac{1}{4}$ " holes through the pilaster.


$54\frac{21}{32}$ " (1388mm)

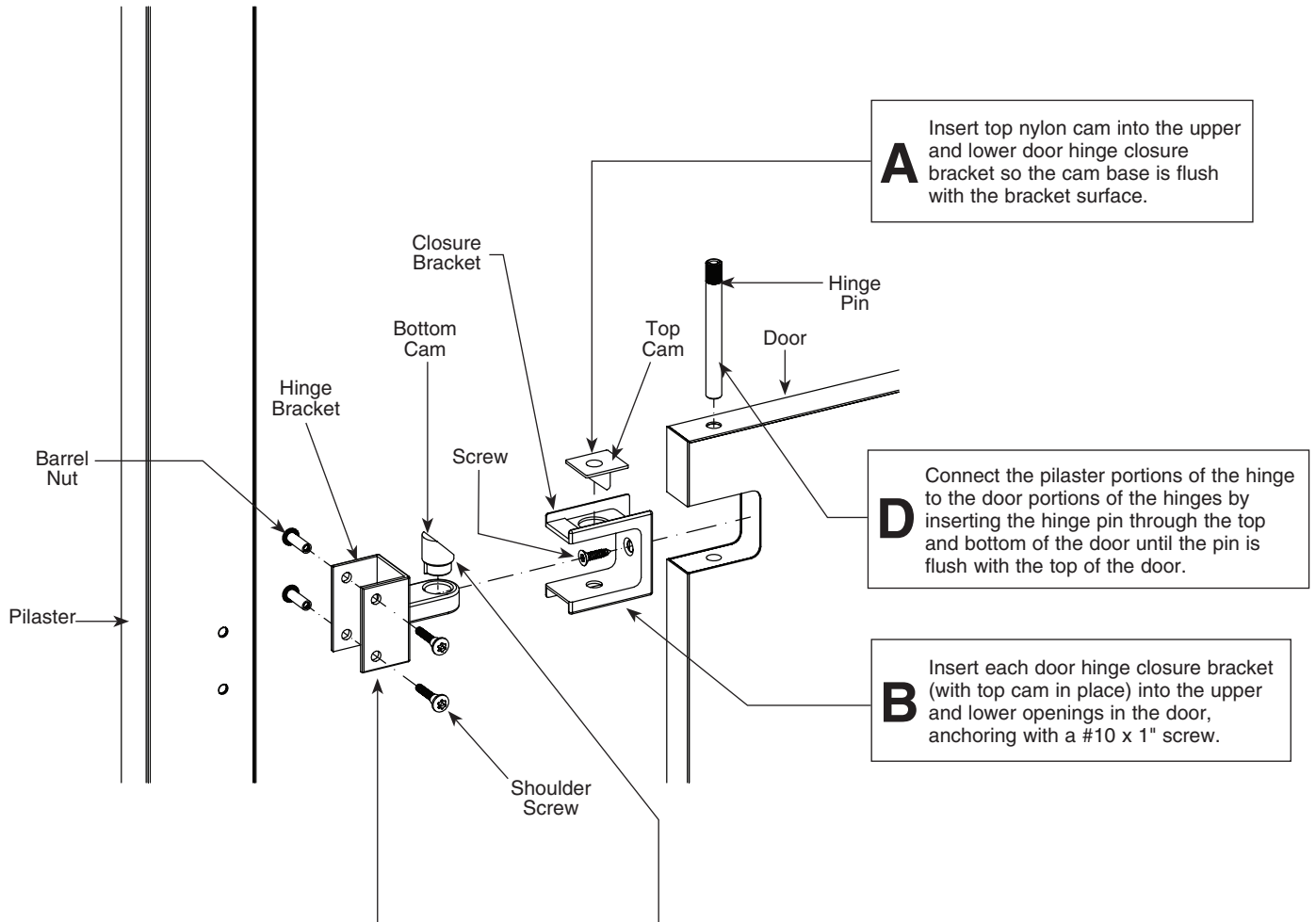
$54\frac{21}{32}$ " (1388mm)

$1\frac{3}{4}$ " (44mm)

$1\frac{3}{4}$ " (44mm)

8 Wraparound Gravity Hinges (Standard)

 The door hinge assembly consists of separate door and pilaster hardware. Identical assemblies are provided for the top and bottom hinge.



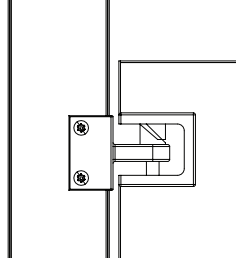
A Insert top nylon cam into the upper and lower door hinge closure bracket so the cam base is flush with the bracket surface.

D Connect the pilaster portions of the hinge to the door portions of the hinges by inserting the hinge pin through the top and bottom of the door until the pin is flush with the top of the door.


B Insert each door hinge closure bracket (with top cam in place) into the upper and lower openings in the door, anchoring with a #10 x 1" screw.

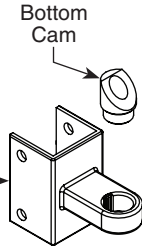
E With hinges assembled to the door, set the door on the 12" spacer. Position the door so that the hinge bracket wraps around the pilaster. Starting at the top hinge bracket hole, secure door to pilaster with #10-24 x 3/4" (chrome plated) barrel nut and #10-24 x 1" (chrome plated) shoulder screw.

Finished View of Hinge



C Insert bottom nylon cam into the pilaster portion of the hinge bracket assembly. The cam should be set to the same desired position on the upper and lower hinge assemblies.

 Bottom cam can be set in different positions (-30°, -15°, 0°, 15°, and 30°) by sliding cam rib into the different bracket grooves



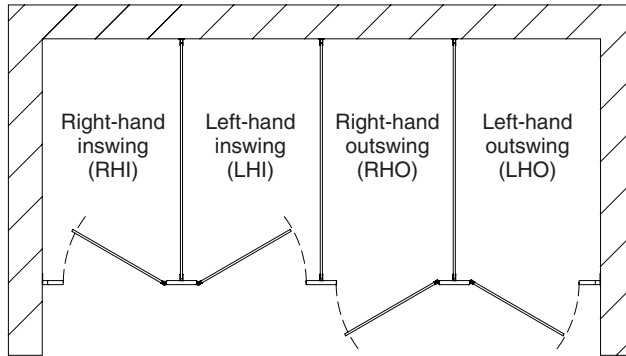
Bottom Cam

Pilaster portion of hinge

8a Continuous Spring-Loaded Piano Hinge (Optional)



Before installing the hinges, make sure the door openings are the appropriate size, all pilasters are plumb, that the pilaster mounting hardware is tightened securely and the shoe is attached to the pilaster. Determine the door swing by facing the compartment from the outside. Refer to your submittal drawings to determine each specific door swing for your application.

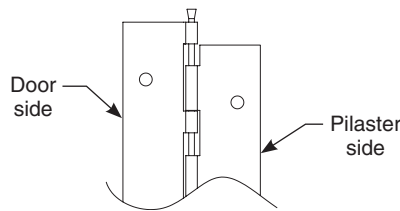


Continuous Piano Hinge

The part numbers listed are prefixes only and are used to identify the appropriate door kit based on your door swing as determined above. Inswinging doors should have hinges mounted on the inside of the stall while outswinging doors should have hinges mounted on the outside of the stall.

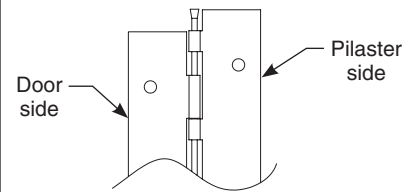
Part # Prefix HDWT-S0209

(left hand in, right hand out, knuckles facing front)

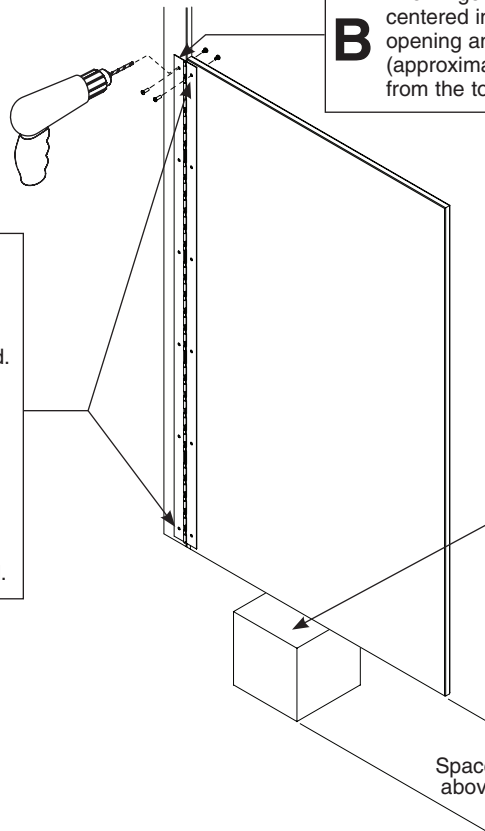


Part # Prefix HDWT-S0208

(right hand in, left hand out, knuckles facing front)



Closed Door View




B The hinge should be plumb and centered in the $\frac{3}{32}$ " (7mm) gap opening and also top to bottom (approximately $\frac{1}{4}$ " (6mm) down from the top of the door).

A Place a door on a spacer and set the gap at the hinge and latch side. Standard gap is $\frac{3}{32}$ " (7mm).

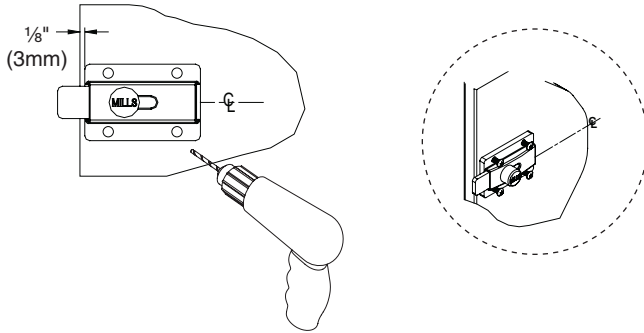
Spacer 12" (305mm) above finished floor

C Using the hinge as a template, drill $\frac{1}{4}$ " holes through the door at the top and bottom holes. Secure the hinge to the door with the #10-24 x $\frac{1}{2}$ " shoulder screws and #10-24 x $\frac{3}{4}$ " (stainless) barrel nuts provided. Check to make sure the gaps are still at $\frac{3}{32}$ " (7mm). Using the hinge as a template drill $\frac{1}{4}$ " holes through the pilaster at the top and bottom holes. Secure the hinge to the pilaster with #10-24 x $\frac{3}{4}$ " (stainless) shoulder screws and 10-24 x $\frac{3}{4}$ " (stainless) barrel nuts. Drill $\frac{1}{4}$ " holes through the remaining hinge holes on the door and pilaster. Secure with the fasteners provided.

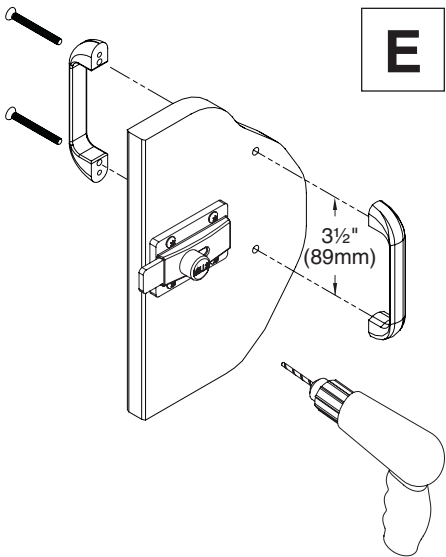
9 Latch and Strike/Keeper for Inswing Doors

 Local codes vary from state to state. Check your local codes before installing the coat hook and door pulls.

A Position the slide latch on the inside of the door, centered top to bottom on the door. The leading edge of the latch body should be $\frac{1}{8}$ " (3mm) from the door edge.

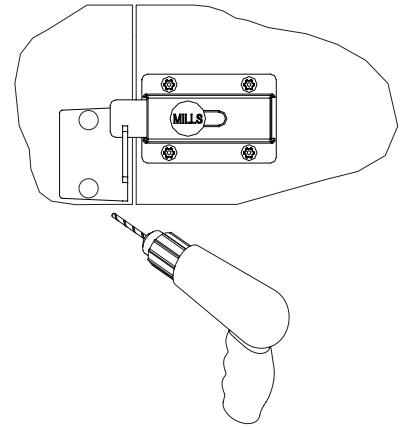
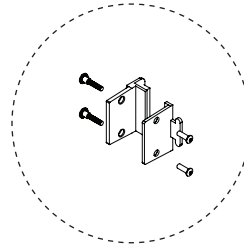


B Using the latch as a template, mark the hole locations on the door. Remove the latch and drill an $\text{Ø } \frac{1}{8}$ " x $\frac{5}{8}$ " (16mm) deep pilot hole at each location. Secure the latch to the door with the #10 x $\frac{5}{8}$ " screws provided.



E For 34"–36" doors, drill two $\text{Ø } \frac{1}{4}$ " holes (spaced $3\frac{1}{2}$ " [89 mm] apart) through the door and mount the door pulls to the door as shown with the #10-24 x 2" flat machine screws provided.

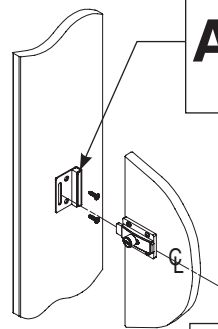
C With the door in the closed position, place the keeper on the pilaster and then align the latch slide bar so that it fits within the top notch of the keeper and operates freely. This will allow the egress function to operate properly should the latch malfunction.



D Using the keeper as a template, mark the hole locations on the pilaster and drill two $\text{Ø } \frac{1}{4}$ " holes through the pilaster. Secure the strike/keeper to the pilaster with #10-24 x $\frac{3}{4}$ " (chrome plated) barrel nuts and #10-24 x 1" (chrome plated) shoulder screws provided.

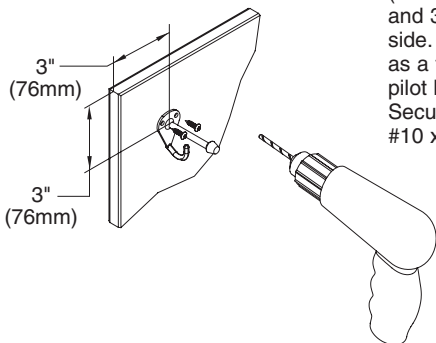
Typical Inswing Flat Strike/Keeper

A Position the strike as shown (door with slide latch should be in the closed position and latch should be able to engage the slot in the flat strike).




B Using the flat strike/keeper as a template drill two $\text{Ø } \frac{1}{8}$ " pilot holes $\frac{3}{4}$ " (19mm) deep. Secure the inswing flat strike/keeper with the #10 x $\frac{3}{4}$ " screws provided.

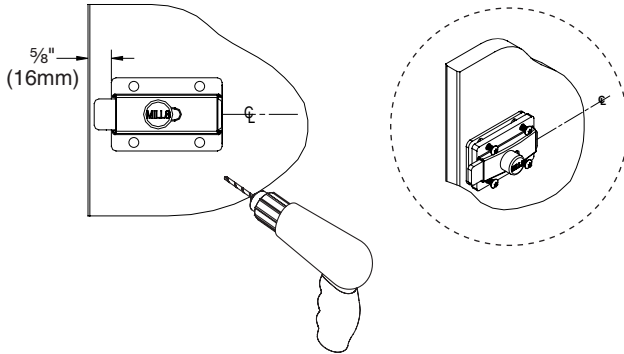
F Install the coat hook on the inside of the door on the latch side at a location 3" (76mm) down from the top and 3" (76mm) in from the side. Using the coat hook as a template, drill two $\text{Ø } \frac{1}{8}$ " pilot holes $\frac{5}{8}$ " (16mm) deep. Secure the coat hook with the #10 x $\frac{5}{8}$ " screws provided.



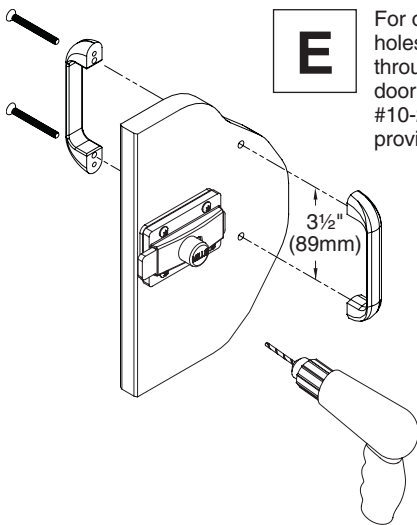
9a Latch and Strike/Keeper for Outswing Doors

 Local codes vary from state to state. Check your local codes before installing the coat hook and door pulls.

A Position the slide latch on the inside of the door, centered top to bottom on the door. The leading edge of the latch body should be $\frac{5}{8}$ " (16mm) from the door edge.

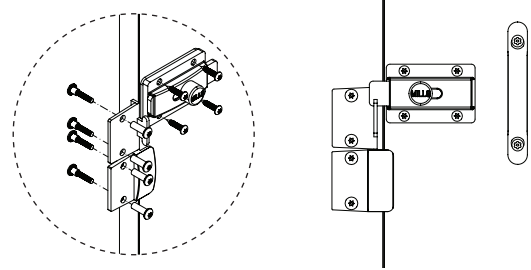


B Using the latch as a template, mark the hole locations on the door. Remove the latch and drill an $\text{Ø } \frac{1}{8}$ " x $\frac{5}{8}$ " (16mm) deep pilot hole at each location. Secure the latch and spacer to the door with the #10 x 1" screws provided.



E For outswing doors, drill two $\text{Ø } \frac{1}{4}$ " holes (spaced $3\frac{1}{2}$ " [89mm] apart) through the door and mount the door pulls to the door with the #10-24 x 2" flat machine screws provided (as shown).

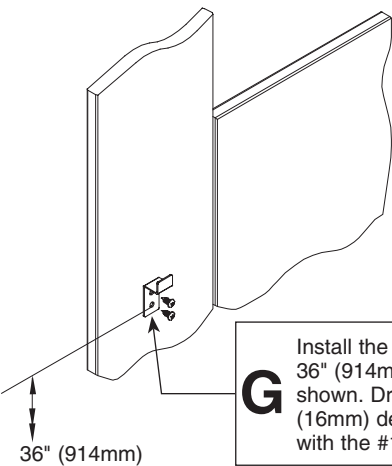
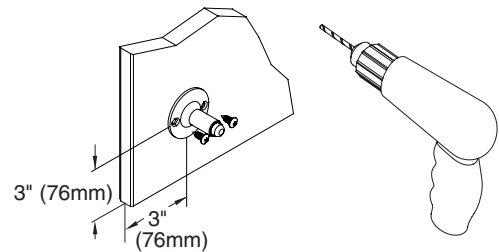
C With the door in the closed position, place the keeper on the pilaster and then align the latch slide bar so that it fits within the top notch of the keeper and operates freely. This will allow the egress function to operate properly should the latch malfunction.



D Using the keeper as a template, mark the hole locations on the pilaster and drill two $\text{Ø } \frac{1}{4}$ " holes through the pilaster. Secure the keeper to the pilaster as shown with #10-24 x $\frac{3}{4}$ " (chrome plated) barrel nuts and #10-24 x 1" (chrome plated) shoulder screws provided.

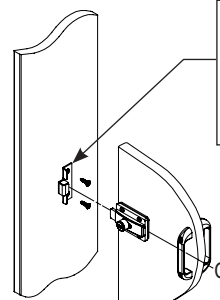
Place the strike on the pilaster below the keeper as shown. Make the hole locations on the pilaster and drill two $\text{Ø } \frac{1}{4}$ " holes through the pilaster. Secure the strike to the pilaster with #10-24 x $\frac{3}{4}$ " (chrome plated) barrel nuts and #10-24 x 1" (chrome plated) shoulder screws provided.

F Install the wall bumper on the outside of the door on the latch side at a location 3" (76mm) up from the bottom and 3" (76mm) in from the side. Drill two $\text{Ø } \frac{1}{8}$ " pilot holes $\frac{5}{8}$ " (16mm) deep. Secure the wall bumper with the #10 x $\frac{5}{8}$ " screws provided.



G Install the coat hook on the pilaster 36" (914mm) above finished floor as shown. Drill two $\text{Ø } \frac{5}{32}$ " pilot holes $\frac{5}{8}$ " (16mm) deep. Secure the coat hook with the #14 x $\frac{5}{8}$ " screws provided.


Typical Outswing Flat Strike/Keeper



A Position the strike as shown (door with slide latch should be in the closed position and latch should slide over the top tab portion of the flat strike).

B Using the flat strike/keeper as a template drill two $\text{Ø } \frac{1}{8}$ " pilot holes $\frac{3}{4}$ " (19mm) deep. Secure the outswing flat strike/keeper with the #10 x $\frac{3}{4}$ " screws provided.

10 Urinal Screens with Stirrup Brackets (Standard)

 Before installing the urinal screen components, determine the correct location for your application.

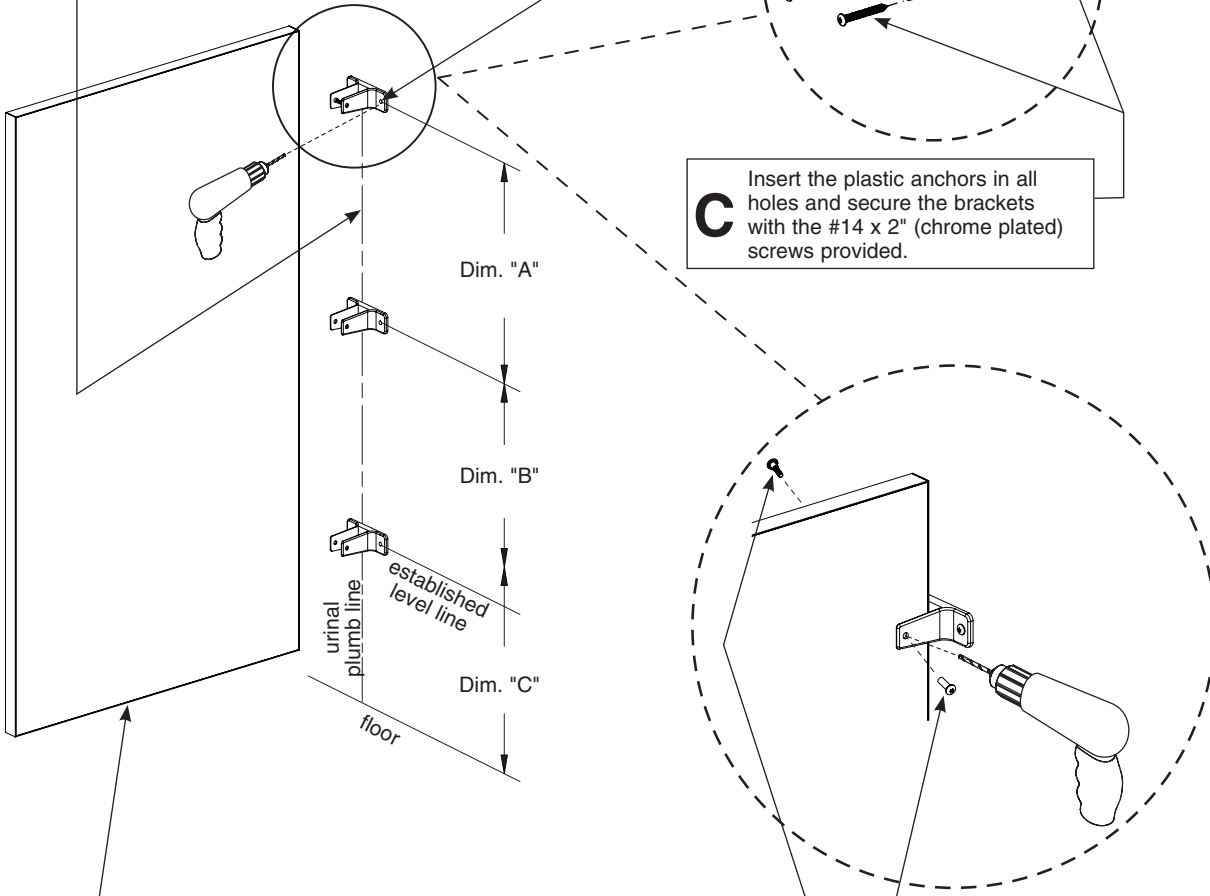
A Draw a plumb line on all walls representing urinal screen centers (see chart below for measurements). These marks represent hole centerlines for the brackets. Use a level to transfer that mark to all other plumb lines.

B Place the center of each stirrup bracket at each established level line. Center the bracket opening on the plumb line. Using the bracket as a template, mark the hole locations on the wall. Remove the bracket and drill a $\text{Ø } \frac{5}{16}$ " x min. 2" (51mm) deep hole at each hole location.

C Insert the plastic anchors in all holes and secure the brackets with the #14 x 2" (chrome plated) screws provided.

D Place the bottom of each urinal screen 18" (457mm) up from floor. Establish a 1" (25mm) gap between the finished wall and urinal screen edge. A spacer may help to support the weight of the screen and establish the appropriate distances.

E Drill $\text{Ø } \frac{1}{4}$ " holes through the screen at each bracket hole. Secure the screen to the brackets with #10-24 x $\frac{3}{4}$ " (chrome plated) barrel nuts and #10-24 x $\frac{3}{4}$ " (chrome plated) shoulder screws provided.



Dim. "A"	Dim. "B"	Dim. "C"
15" (381mm) for 42" (1067mm) screens or 18" (457mm) for 48" (1219mm) screens	15" (381mm) for 42" (1067mm) screens or 18" (457mm) for 48" (1219mm) screens	24" (610mm) for 42" (1067mm) screens or 24" (610mm) for 48" (1219mm) screens

10a Urinal Screens with Continuous Brackets (Optional)

- Before installing the urinal screen components, determine the correct location for your application.
- Brackets are used as templates but since the hole patterns may be different, the brackets may not be interchangeable.

A Draw a plumb line on all walls representing urinal screen centers. Measure 18½" (470mm) up for 42" (1067mm) tall urinal screens or 21½" (546mm) up for 48" (1219mm) tall urinal screens from the floor and place a mark on the plumb line. Use a level to transfer that mark to all other plumb lines.

C Using the bracket as a template mark the hole locations on the wall. Remove the bracket and drill a Ø 5/16" x min. 2" (51mm) deep hole at each hole location.

D Insert the plastic anchors in all holes and secure the bracket with the #14 x 2" (stainless) screws provided.

E Place the bottom of each urinal screen 18" (457mm) up from floor. Establish a 1" (25mm) gap between the finished wall and urinal screen edge. A spacer may help to support the weight of the screen and establish the appropriate distances.

F Drill Ø ¼" holes through the screen at each bracket hole. Secure the screen to the bracket with #10-24 x ¾" (stainless) barrel nuts and #10-24 x ¾" (stainless) shoulder screws provided.

B Place the bottom of the continuous bracket at the established level line. Center the bracket opening on the plumb line.

