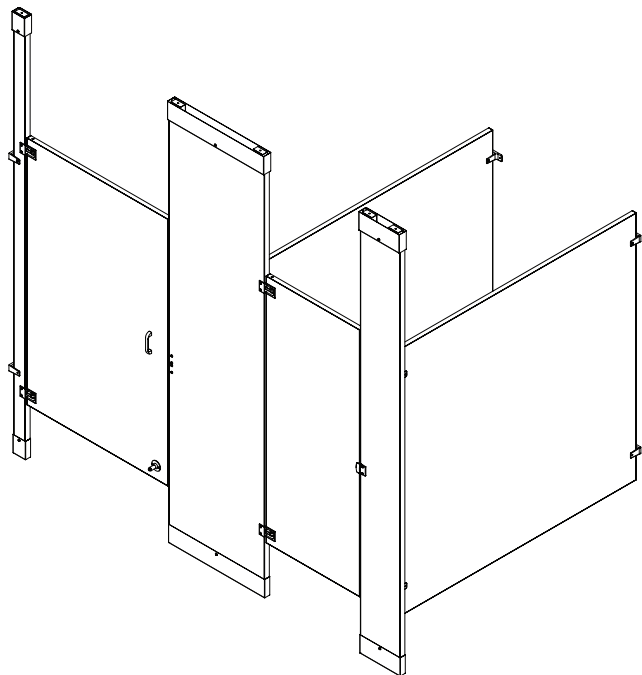


Installation

Plastic Laminate Restroom Partitions Floor-To-Ceiling — Series 700

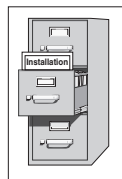
Table of Contents

Pre-Installation Information	2
Layout Dimensions for Brackets	3
Mounting Brackets to Wall	4
Leveling Bolts to Pilaster	5
Mounting Brackets to Pilasters	5-6
Pilaster Shoes	6
Panels & Pilasters	7-10
Hinges	11-13
Latch and Strike/Keeper	14-15
Urinal Screens	16-17



**For Standard Height
Doors and Panels Only**

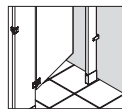
IMPORTANT



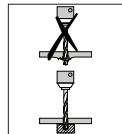
Read this installation manual completely to ensure proper installation, then file it with the owner or maintenance department. This installation manual provides instruction for the assembly of normal partition configurations and standard components. Non-standard configurations or components including but not limited to curved or angled walls, partial walls, oversized panels, or modified hardware are not covered in this manual. Compliance and conformity to local codes and ordinances is the responsibility of the installer.



Separate parts from packaging and make sure all parts are accounted for before discarding packaging material. If any parts are missing, do not begin installation until you obtain the missing parts. To prevent warping, always lay the material flat. Do not lean the material against the wall or stack unevenly.



Before beginning installation, make sure that the wall and floor backing are adequate to support the secure mounting of the toilet compartment units.



To minimize break-out, always use a support block when drilling through plastic laminate material. Use caution when drilling. Accuracy is important!



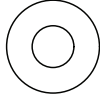

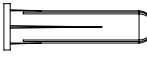
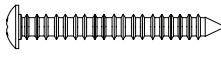
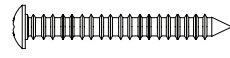

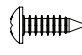

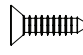


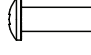
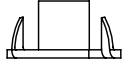
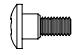
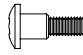
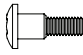
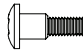
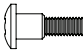

Product warranties and parts information may be found on Bradley's web site at bradleycorp.com.



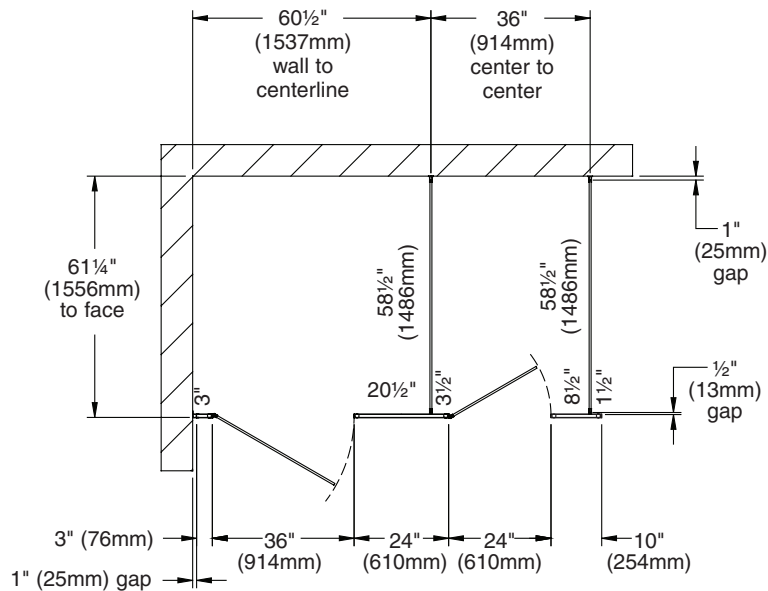
Supplies Required:

- Chalk line and pencil
- Tape measure and 4' level
- Jigsaw (or hacksaw) and circular saw
- Two spring clamps
- 1/8", 5/32", 1/4" and 25/64" drill bits
- Power drill or screw gun with bit extension
- 5/16" ceramic tile and masonry drill bit
- Hammer drill
- Spacer, 12" (305mm) high and strong enough to support weight of panel


Hardware Provided

							
3/32" x 5/8" Washer Flat P10-449	5/16" - 18 x 3" Leveling Bolt FAST-S0039	#14-16 Plastic Anchor FAST-T373	#14 x 2" Button-Head Sheet Metal Screw Torx-T27 Drive FAST-P002 (Stainless)	#14 x 2" Button-Head Sheet Metal Screw Torx-T27 Drive FAST-Z002 (Chrome Plated)			
							
#14 x 5/8" Button-Head Sheet Metal Screw Torx-T27 Drive FAST-Z0016	#10 x 5/8" Button-Head Sheet Metal Screw Torx-T27 Drive FAST-Z0019	#10 x 1" Button-Head Sheet Metal Screw Torx-T27 Drive FAST-Z0028	#10 x 3/4" Flat-Head Sheet Metal Screw Torx-T25 Drive FAST-Z0006	1/4" - 14 x 5/8" Sheet Metal Screw Torx-T27 Drive FAST-S355A	#10-24 x 3/4" Button-Head Barrel Nut Torx-T27 Drive FAST-P003 (Stainless)	#10-24 x 3/4" Button-Head Barrel Nut Torx-T27 Drive FAST-Z003 (Chrome Plated)	5/16" - 18 x 3/8" Tee Nut FAST-Z0037
							
#10-24 x 1/2" Button-Head Shoulder Screw Torx-T27 Drive FAST-S0018	#10-24 x 3/4" Button-Head Shoulder Screw Torx-T27 Drive FAST-P004 (Stainless)	#10-24 x 3/4" Button-Head Shoulder Screw Torx-T27 Drive FAST-Z004 (Chrome Plated)	#10-24 x 1" Button-Head Shoulder Screw Torx-T27 Drive FAST-Z004A (Chrome Plated)	#10-24 x 1" Button-Head Shoulder Screw Torx-T27 Drive FAST-P004A (Stainless)	#10-24 x 2" Flat-Head Machine Screw Torx-T25 Drive FAST-Z0027		

Example of Submittal Drawing



1 Layout Dimensions - Stirrup Brackets (Standard)

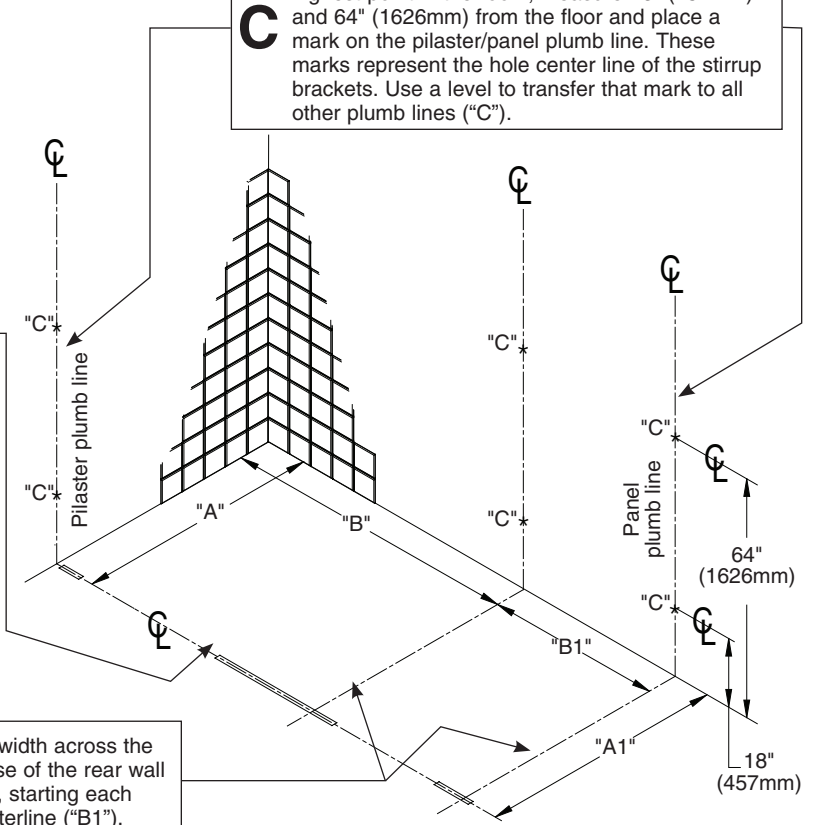
 When installing the partition components, consult the applicable Mills Partition submittal drawing for compartment layout dimensions.

A **Pilaster centerline:** Measure from the back wall forward to the face of the compartment, subtract $\frac{5}{8}$ " (16mm) and mark this location on the floor ("A"). Mark the same measurement on the opposite end of your layout ("A1") and draw a straight line connecting both marks.


FOR FREESTANDING (FS) PARTITIONS: Refer to submittal drawings and determine the approximate location of the outside panels. Establish dimensions "A" and "A1" as explained above.

B **Panel centerline:** Measure the stall width across the back wall and place a mark at the base of the rear wall ("B"). Repeat this step for each panel, starting each measurement from the last panel centerline ("B1").

C **Stirrup brackets:** Draw a plumb line on all walls from each pilaster and panel centerline. From the highest point in the room, measure 18" (457mm) and 64" (1626mm) from the floor and place a mark on the pilaster/panel plumb line. These marks represent the hole center line of the stirrup brackets. Use a level to transfer that mark to all other plumb lines ("C").



1a Layout Dimensions - Continuous Brackets (Optional)

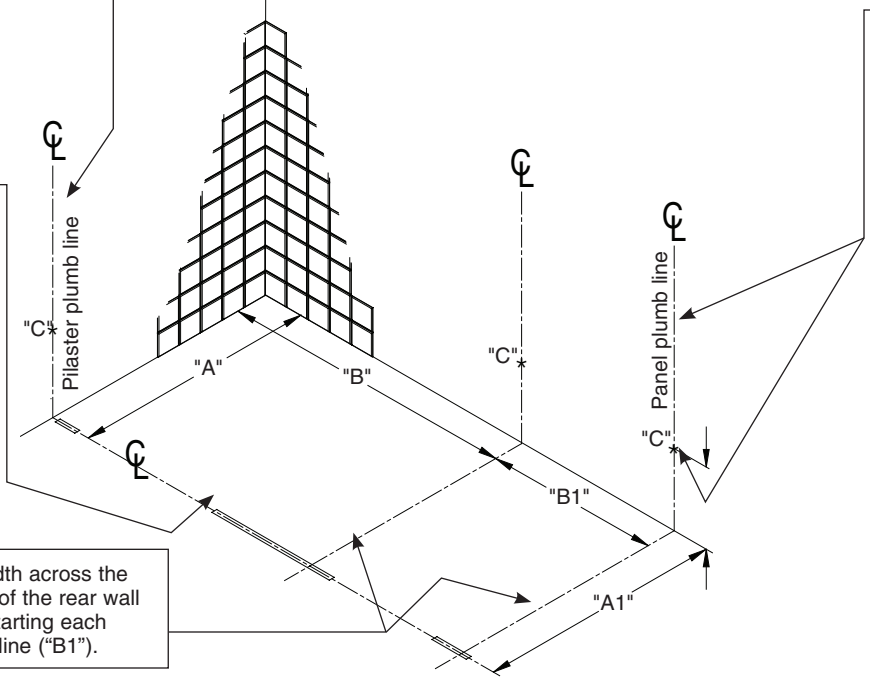
 When installing the partition components, consult the applicable Mills Partition submittal drawing for compartment layout dimensions.

A **Pilaster centerline:** Measure from the back wall forward to the face of the compartment, subtract $\frac{5}{8}$ " (16mm) and mark this location on the floor ("A"). Mark the same measurement on the opposite end of your layout ("A1") and draw a straight line connecting both marks.

FOR FREESTANDING (FS) PARTITIONS: Refer to submittal drawings and determine the approximate location of the outside panels. Establish dimensions "A" and "A1" as explained above.

B **Panel centerline:** Measure the stall width across the back wall and place a mark at the base of the rear wall ("B"). Repeat this step for each panel, starting each measurement from the last panel centerline ("B1").

C **Continuous brackets:** Draw a plumb line on all walls from each pilaster and panel centerline. From the highest point in the room, measure $12\frac{1}{2}$ " (318mm) (for stainless steel) or $12\frac{1}{4}$ " (311mm) (for aluminum) from the floor and place a mark on the pilaster/panel plumb line. Use a level to transfer that mark to all other plumb lines ("C").



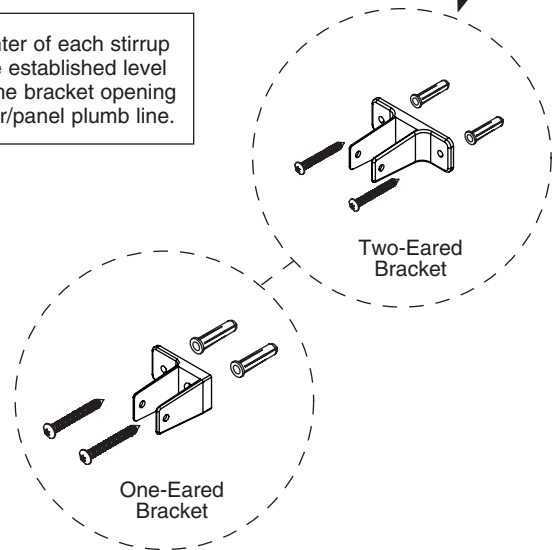
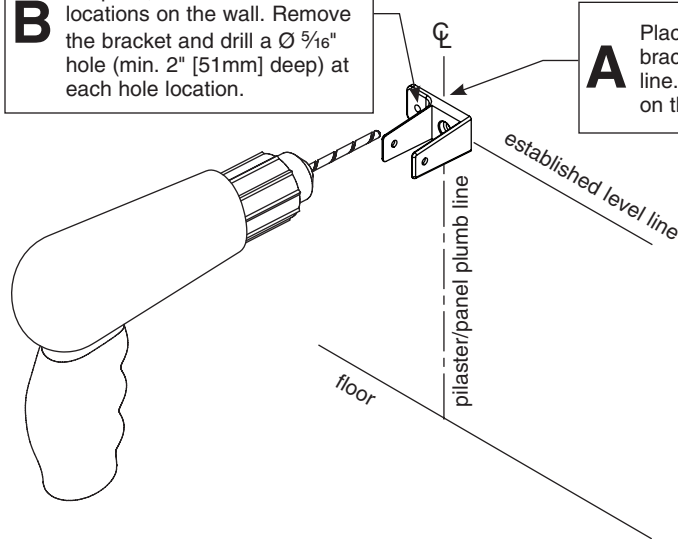
2 Stirrup Brackets to Wall (Standard)

- On end panel and pilaster applications, position the bracket with the ear facing toward the inside of the stall.
- Pilaster bracket is shown here; 1¼" opening brackets are for pilasters, and 1" opening brackets are for panels.

B Using the bracket as a template, mark the hole locations on the wall. Remove the bracket and drill a $\text{Ø } \frac{5}{16}$ " hole (min. 2" [51mm] deep) at each hole location.

A Place the center of each stirrup bracket at the established level line. Center the bracket opening on the pilaster/panel plumb line.

C Insert the plastic anchors in all holes and secure the brackets to the wall with the #14 x 2" (chrome plated) screws provided.



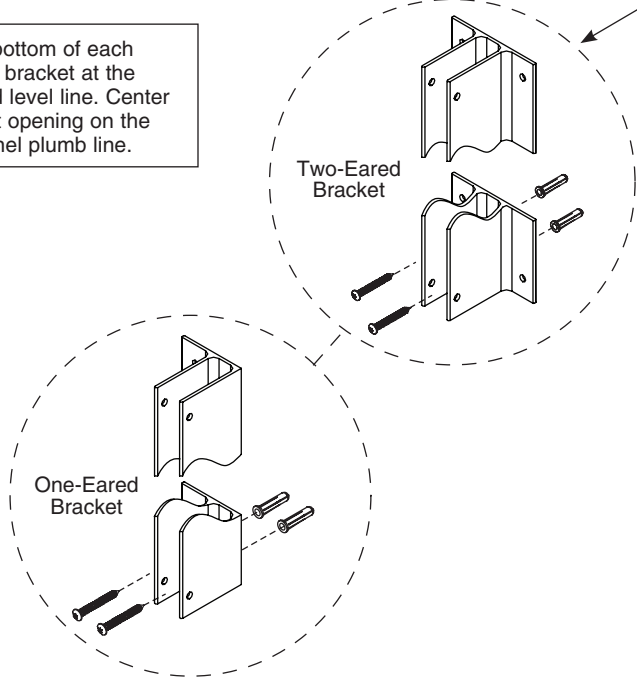
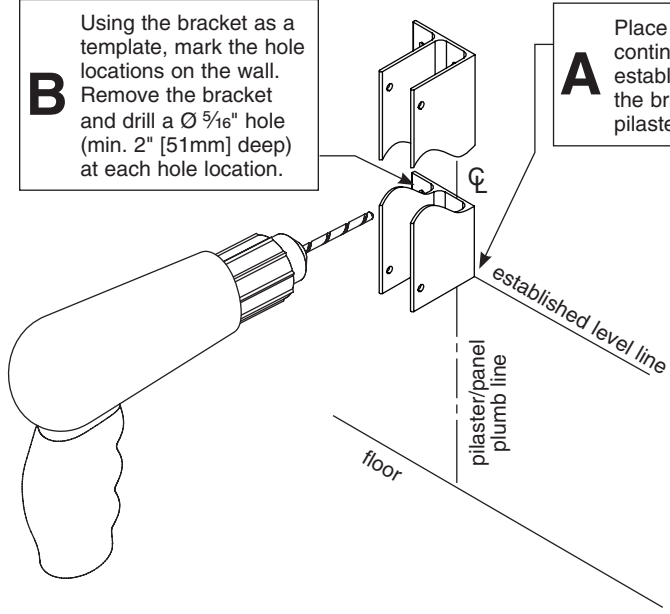
2a Continuous Brackets to Wall (Optional)

- On end panel and pilaster applications, position the bracket with the ear facing toward the inside of the stall.
- Pilaster bracket is shown here; 1¼" opening brackets are for pilasters, and 1" opening brackets are for panels.
- Brackets are used as templates but since the hole patterns may be different, the brackets may not be interchangeable.

B Using the bracket as a template, mark the hole locations on the wall. Remove the bracket and drill a $\text{Ø } \frac{5}{16}$ " hole (min. 2" [51mm] deep) at each hole location.

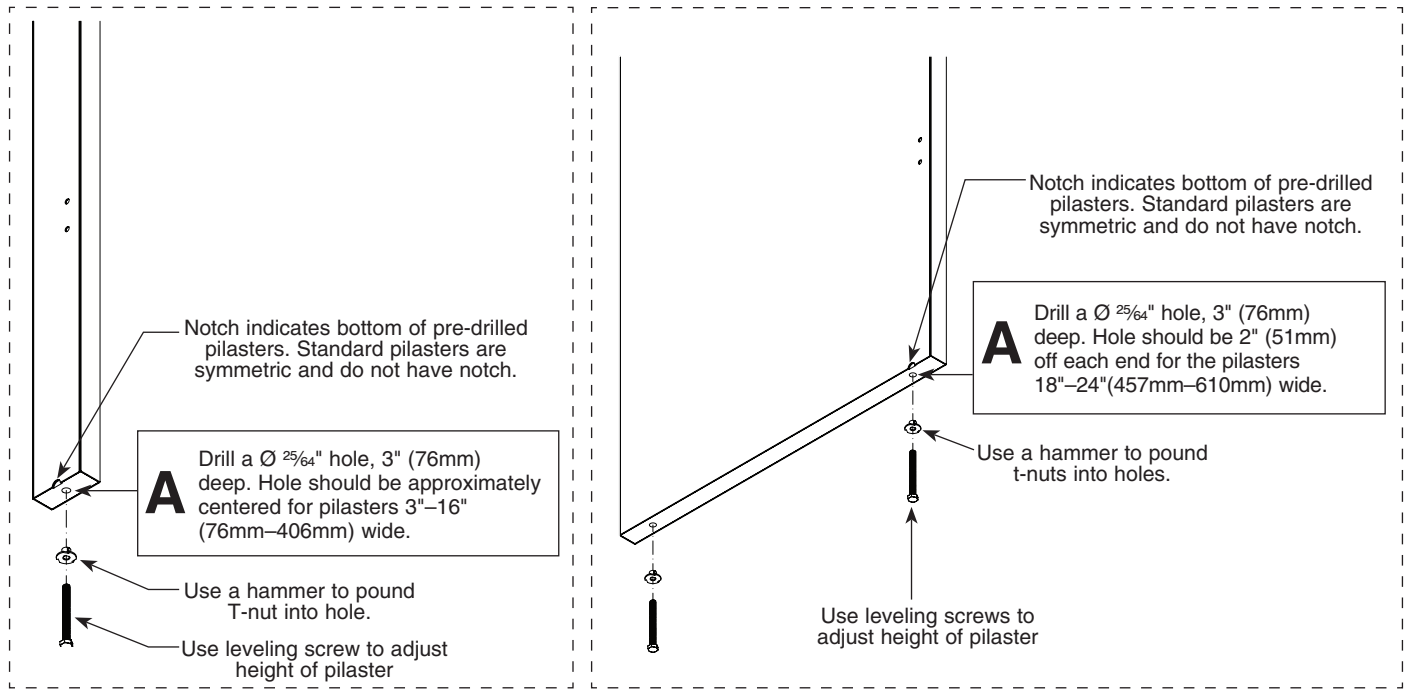
A Place the bottom of each continuous bracket at the established level line. Center the bracket opening on the pilaster/panel plumb line.

C Insert the plastic anchors in all holes and secure the brackets to the wall with the #14 x 2" (stainless) screws provided.



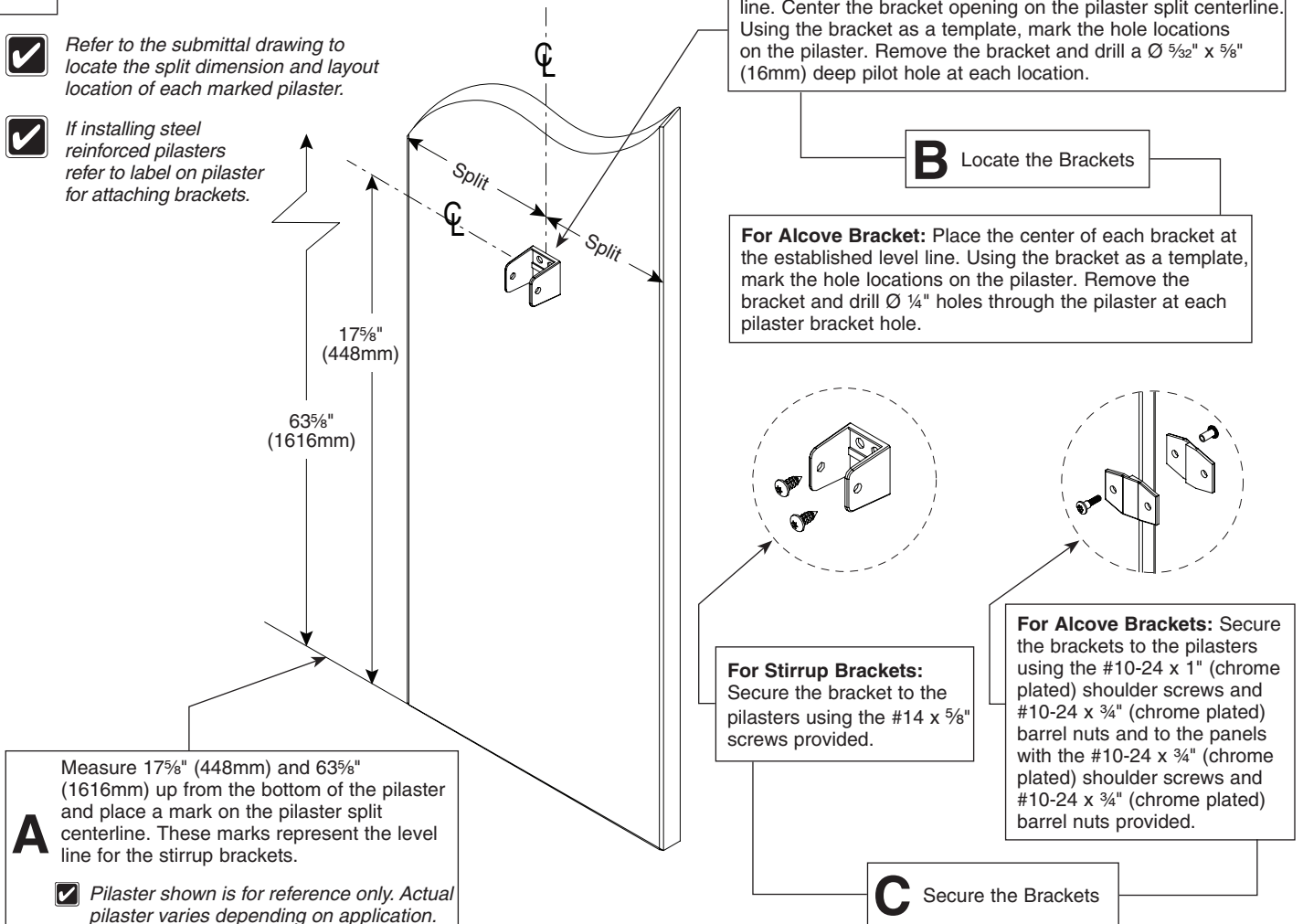
3 Leveling Bolts to Pilaster

Pre-drilled pilasters (Optional).



4 Stirrup Brackets to Pilaster (Standard)

- Refer to the submittal drawing to locate the split dimension and layout location of each marked pilaster.
- If installing steel reinforced pilasters refer to label on pilaster for attaching brackets.



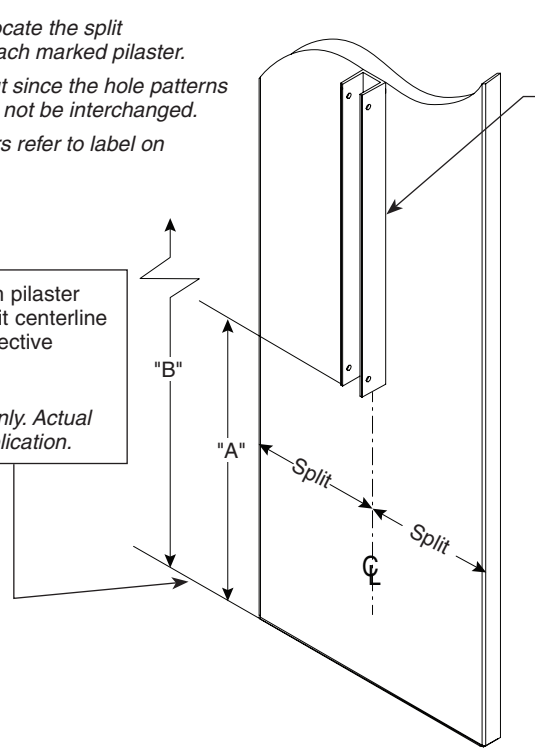
4a Continuous Brackets to Pilaster (Optional)

- Refer to the submittal drawing to locate the split dimension and layout location of each marked pilaster.
- Brackets are used as templates but since the hole patterns may be different, the brackets may not be interchanged.
- If installing steel reinforced pilasters refer to label on pilaster for attaching brackets.

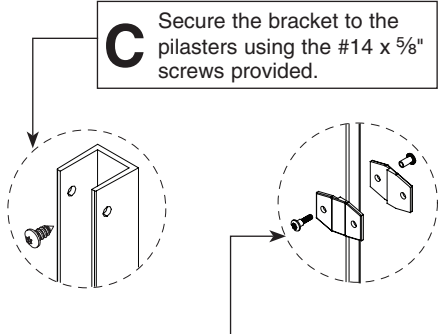
A Measure up from the bottom of each pilaster and place a mark on the pilaster split centerline at dimensions "A" & "B" for the respective bracket (see table at left).

Pilaster shown is for reference only. Actual pilaster varies depending on application.

	Dim. "A"	Dim. "B"
Aluminum Bracket	11 ⁷ / ₈ " (302mm)	69 ⁵ / ₈ " (1762mm)
Stainless Steel Bracket	12 ¹ / ₈ " (308mm)	69 ⁵ / ₈ " (1756mm)



B Place the continuous bracket between each established level line. Center the bracket opening on the pilaster split centerline. Using the bracket as a template, mark the hole locations on the pilaster. Remove the bracket and drill a $\text{Ø } \frac{5}{32} \times \frac{5}{8}$ (16mm) deep pilot hole at each location.

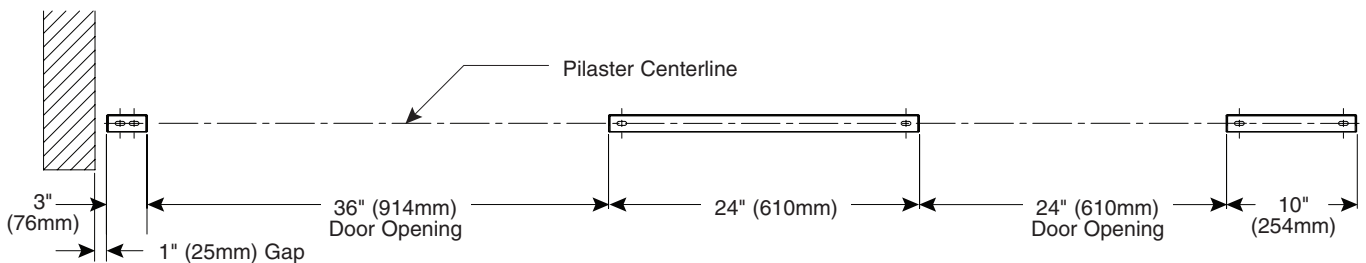


Refer to step 4 for location and attachment of alcove brackets

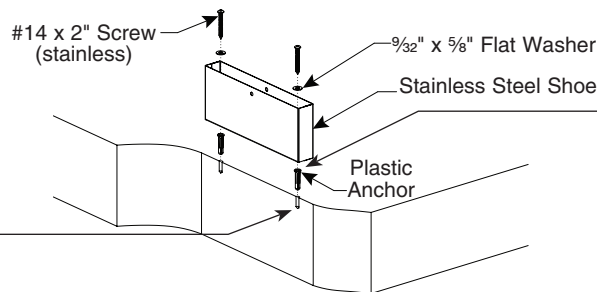
5 Pilaster Shoes

- Install the shoes starting with the one closest to the wall

A This view is an example only. Refer to your submittal drawing for actual sizes. Layout the pilaster and door widths on the pilaster centerline leaving the appropriate gap between the wall and pilaster. Place the corresponding shoe on the pilaster centerline, center the shoes between the pilaster marks. Using the shoes as a template mark the hole locations.



B Drill $\text{Ø } \frac{5}{16}$ " holes (min 2" [51mm] deep) in the floor and make sure the holes are free of dirt and debris.



C Insert plastic anchors into the holes and fasten the shoe to the anchors using hardware provided.

6 Panels and Pilasters with Stirrup Brackets (Standard)

- ✓ *Pilasters located at walls should be mounted first. Start at one end and install a panel, then a pilaster. Continue alternating until installation is complete. When installing in an alcove or in-corner alcove, use an alcove bracket to secure the pilaster to the panel.*
- ✓ *Refer to your submittal drawing and leave the appropriate gaps. Standard gap is 1" (25mm) between the panel and the wall and ½" (13mm) between the panel and the pilaster.*
- ✓ *Check to make sure the pilasters are plumb and level to each other. The pilaster height can be adjusted with the leveling screw that was placed at the bottom of the pilaster (see page 5 for attaching leveling bolt).*
- ✓ *Each pilaster comes with a matching shoe kit containing the required fasteners and "L" brackets for mounting.*

Pilasters at Wall

- ✓ *When installing pilasters at walls, the gaps range from ½" to 1¼" (13mm to 32mm). Refer to your submittal drawing for your gap sizes.*

A Set the pilaster into the shoe secured to the floor while at the same time placing into the wall brackets. Verify that pilasters are plumb in both directions. Project the outer edges and inside face of the pilaster onto the ceiling.

E Using each "L" bracket as a template, drill a $\text{Ø } \frac{5}{32}$ " x $\frac{5}{16}$ " (16mm) deep pilot hole at each hole location. Secure the pilaster to each "L"-bracket with the $\frac{1}{4}$ -14 x $\frac{5}{16}$ " fastener provided.

F Using the brackets as templates, drill $\text{Ø } \frac{1}{4}$ " holes through the pilaster at each pilaster bracket hole.

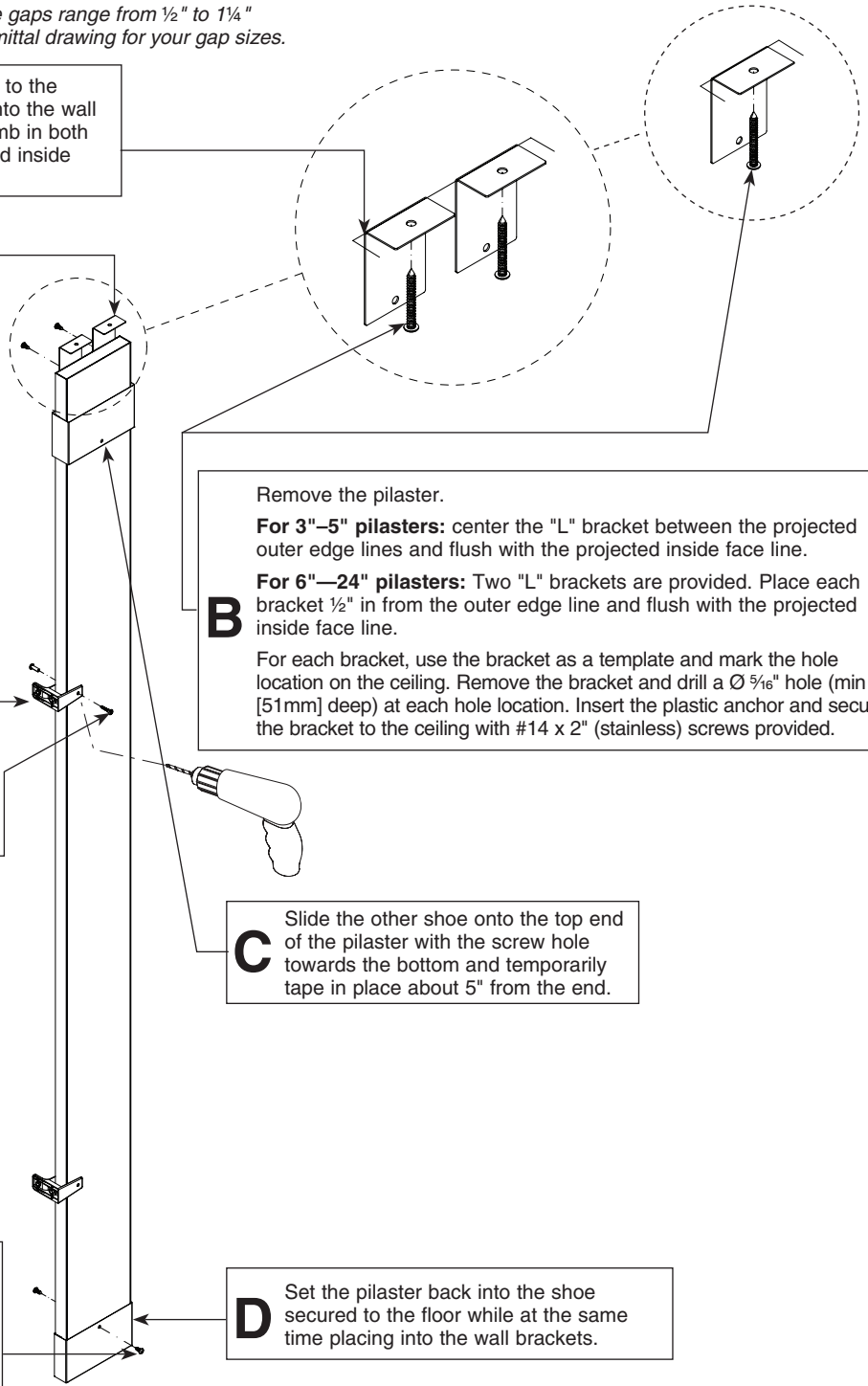
G Secure the pilaster to the brackets with the #10-24 x $\frac{3}{4}$ " (chrome plated) barrel nuts and #10-24 x 1" (chrome plated) shoulder screws provided.

H Using the hole in the shoe as a template, drill a $\text{Ø } \frac{5}{32}$ " pilot hole all the way through the pilaster. Secure the shoe to the pilaster with the $\frac{1}{4}$ -14 x $\frac{5}{16}$ " fasteners provided.


B Remove the pilaster.
For 3"–5" pilasters: center the "L" bracket between the projected outer edge lines and flush with the projected inside face line.
For 6"–24" pilasters: Two "L" brackets are provided. Place each bracket ½" in from the outer edge line and flush with the projected inside face line.
 For each bracket, use the bracket as a template and mark the hole location on the ceiling. Remove the bracket and drill a $\text{Ø } \frac{5}{16}$ " hole (min 2" [51mm] deep) at each hole location. Insert the plastic anchor and secure the bracket to the ceiling with #14 x 2" (stainless) screws provided.

C Slide the other shoe onto the top end of the pilaster with the screw hole towards the bottom and temporarily tape in place about 5" from the end.

D Set the pilaster back into the shoe secured to the floor while at the same time placing into the wall brackets.



6 Panels and Pilasters with Stirrup Brackets (Standard)

 Refer to your submittal drawing and leave the appropriate gaps. Standard gap is 1" (25mm) between the panel and wall and ½" (13mm) between the panel and pilaster.

Pilasters with Panels

A Set the pilaster into the shoe secured to the floor while at the same time placing into the wall brackets. Verify that pilasters are plumb in both directions. Project the outer edges and inside face of the pilaster onto the ceiling.

E Using each "L" bracket as a template, drill a $\text{Ø } \frac{5}{32}$ " x $\frac{5}{8}$ " (16mm) deep pilot hole at each hole location. Secure the pilaster to each "L"-bracket with the $\frac{1}{4}$ -14 x $\frac{5}{8}$ " fastener provided.

F Using the brackets as templates, drill $\text{Ø } \frac{1}{4}$ " holes through the panel at each panel bracket hole.

Remove the pilaster.
For 3"—5" pilasters: center the "L" bracket between the projected outer edge lines and flush with the projected inside face line.

B **For 6"—24" pilasters:** Two "L" brackets are provided. Place each bracket $\frac{1}{2}$ " in from the outer edge line and flush with the projected inside face line.

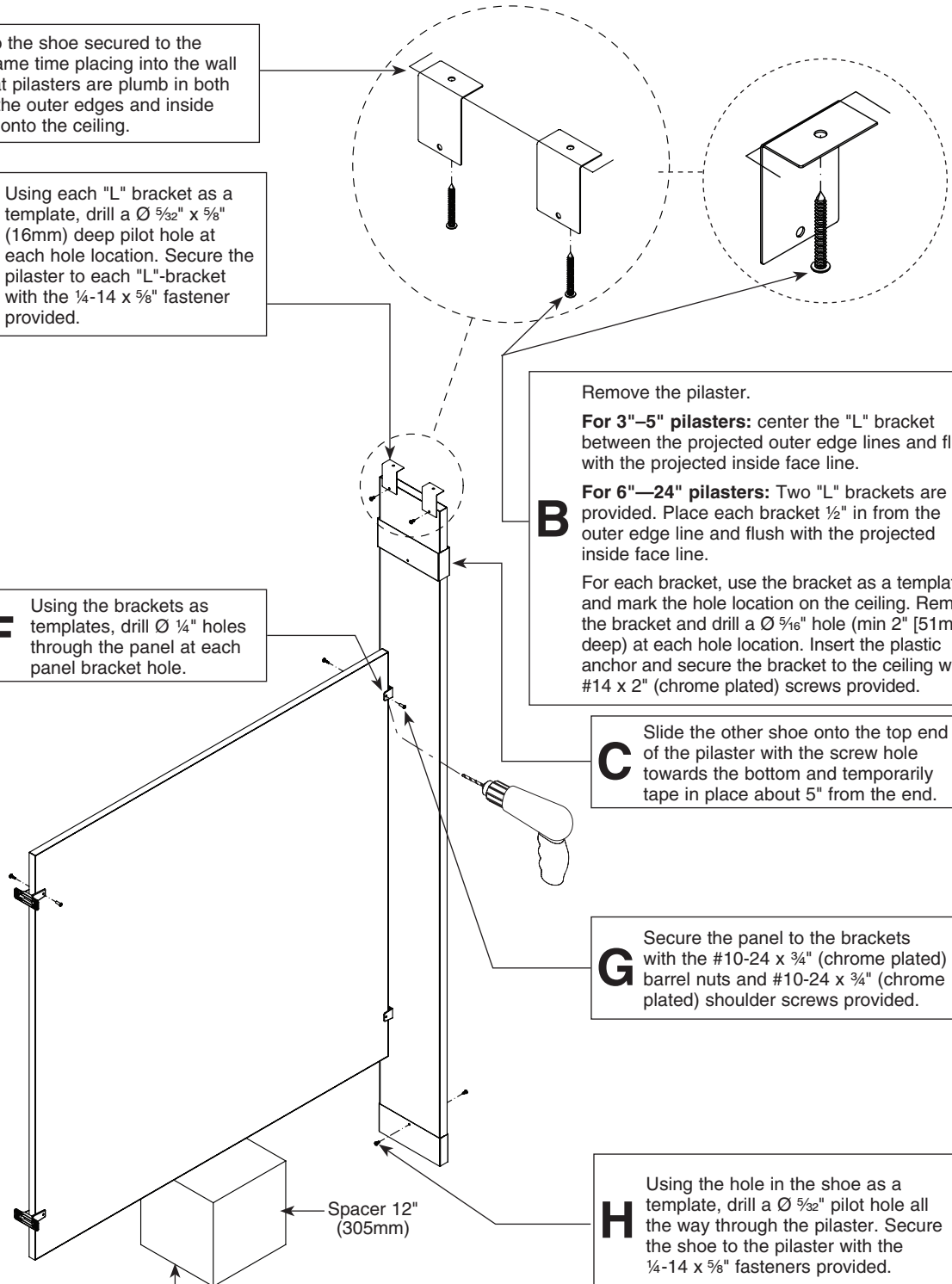
For each bracket, use the bracket as a template and mark the hole location on the ceiling. Remove the bracket and drill a $\text{Ø } \frac{5}{16}$ " hole (min 2" [51mm] deep) at each hole location. Insert the plastic anchor and secure the bracket to the ceiling with #14 x 2" (chrome plated) screws provided.

C Slide the other shoe onto the top end of the pilaster with the screw hole towards the bottom and temporarily tape in place about 5" from the end.

G Secure the panel to the brackets with the #10-24 x $\frac{3}{4}$ " (chrome plated) barrel nuts and #10-24 x $\frac{3}{4}$ " (chrome plated) shoulder screws provided.

H Using the hole in the shoe as a template, drill a $\text{Ø } \frac{5}{32}$ " pilot hole all the way through the pilaster. Secure the shoe to the pilaster with the $\frac{1}{4}$ -14 x $\frac{5}{8}$ " fasteners provided.

D Place a panel on the spacer and insert the panel into the wall brackets. Set the pilaster back into the shoe secured to the floor while at the same time placing the brackets around the panel



6a Panels and Pilasters with Continuous Brackets (Optional)

- Pilasters located at walls should be mounted first. Start at one end and install a panel, then a pilaster. Continue alternating until installation is complete. When installing in an alcove or in-corner alcove, use an alcove bracket to secure the pilaster to the panel.
- Refer to your submittal drawing and leave the appropriate gaps. Standard gap is 1" (25mm) between the panel and the wall and ½" (13mm) between the panel and the pilaster.
- Check to make sure the pilasters are plumb and level to each other. The pilaster height can be adjusted with the leveling screw that was placed at the bottom of the pilaster (see page 5 for attaching leveling bolt).
- Each pilaster comes with a matching shoe kit containing the required fasteners and "L" brackets for mounting.

Pilasters at Wall

- When installing pilasters at walls, the gaps range from ½" to 1¼" (13mm to 32mm). Refer to your submittal drawing for your gap sizes.

A Set the pilaster into the shoe secured to the floor while at the same time placing into the wall brackets. Verify that pilasters are plumb in both directions. Project the outer edges and inside face of the pilaster onto the ceiling.

E Using each "L" bracket as a template, drill a Ø 5/32" x 5/8" (16mm) deep pilot hole at each hole location. Secure the pilaster to each "L"-bracket with the ¼-14 x 5/8" fastener provided.

F Using the bracket as templates, drill Ø ¼" holes through the pilaster at each pilaster bracket hole.

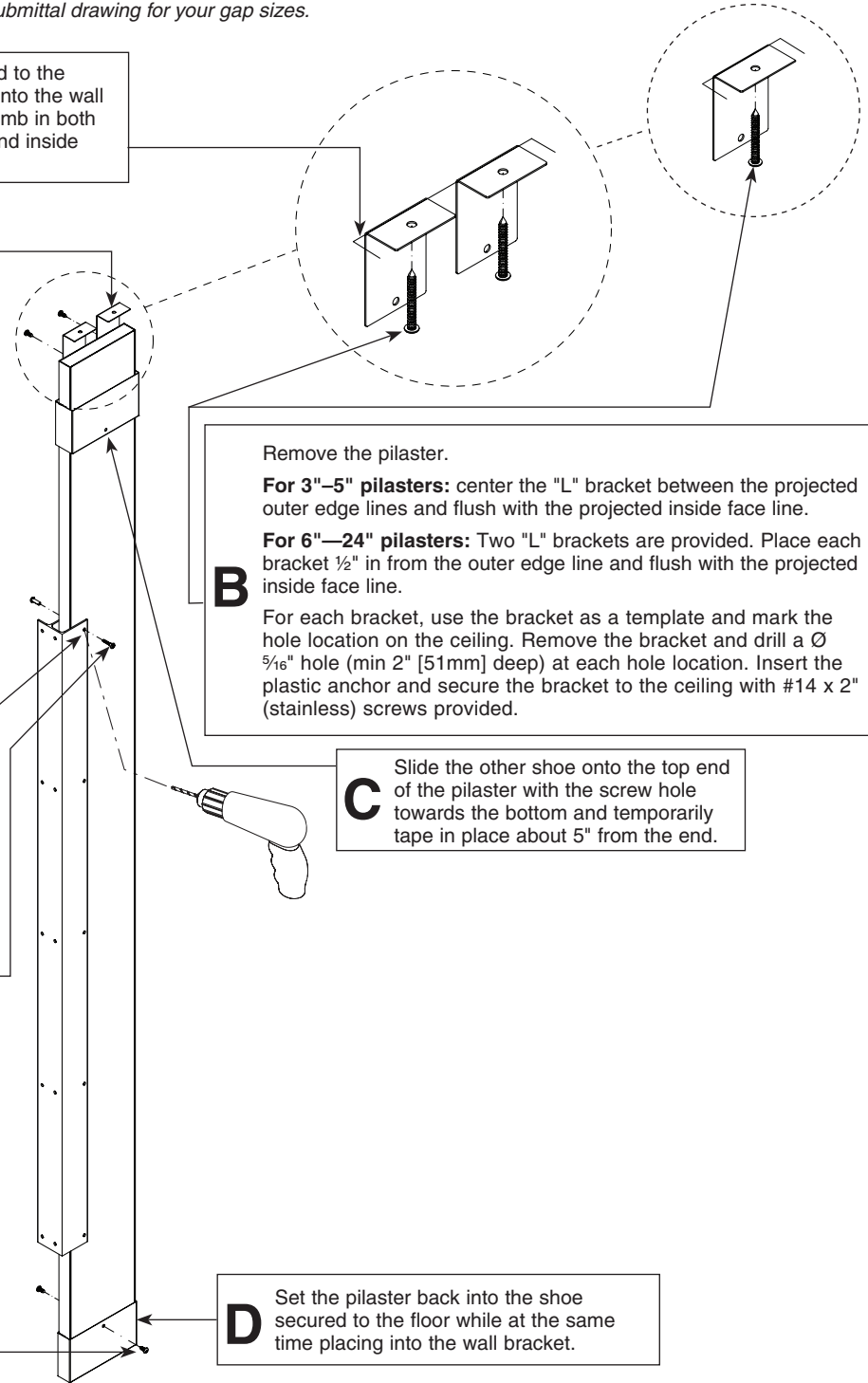
G Secure the pilaster to the bracket with the #10-24 x ¾" (stainless) barrel nuts and #10-24 x 1" (stainless) shoulder screws provided for aluminum or stainless steel brackets.

H Using the hole in the shoe as a template, drill a Ø 5/32" pilot hole all the way through the pilaster. Secure the shoe to the pilaster with the ¼-14 x 5/8" fasteners provided.


B Remove the pilaster.
For 3"—5" pilasters: center the "L" bracket between the projected outer edge lines and flush with the projected inside face line.
For 6"—24" pilasters: Two "L" brackets are provided. Place each bracket ½" in from the outer edge line and flush with the projected inside face line.
 For each bracket, use the bracket as a template and mark the hole location on the ceiling. Remove the bracket and drill a Ø 5/16" hole (min 2" [51mm] deep) at each hole location. Insert the plastic anchor and secure the bracket to the ceiling with #14 x 2" (stainless) screws provided.

C Slide the other shoe onto the top end of the pilaster with the screw hole towards the bottom and temporarily tape in place about 5" from the end.

D Set the pilaster back into the shoe secured to the floor while at the same time placing into the wall bracket.



6a Panels and Pilasters with Continuous Brackets (Optional)

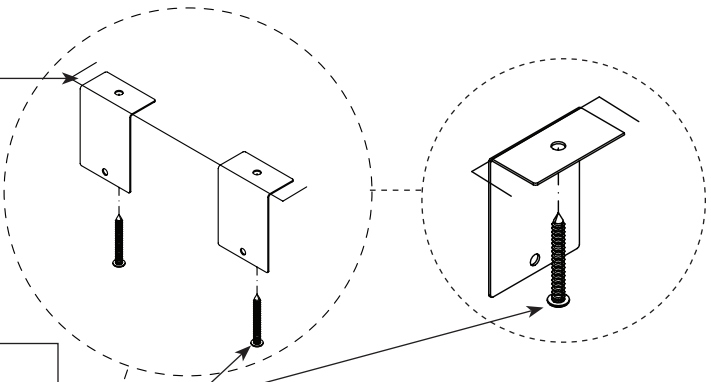
 Refer to your submittal drawing and leave the appropriate gaps. Standard gap is 1" (25mm) between the panel and wall and 1/2" (13mm) between the panel and pilaster.

Pilasters with Panels

A Set the pilaster into the shoe secured to the floor while at the same time placing into the wall brackets. Verify that pilasters are plumb in both directions. Project the outer edges and inside face of the pilaster onto the ceiling.

E Using each "L" bracket as a template, drill a $\text{Ø } \frac{5}{32}$ " x $\frac{5}{8}$ " (16mm) deep pilot hole at each hole location. Secure the pilaster to each "L"-bracket with the $\frac{1}{4}$ -14 x $\frac{5}{8}$ " fastener provided.

F Using the brackets as templates, drill $\text{Ø } \frac{1}{4}$ " holes through the panel at each panel bracket hole.



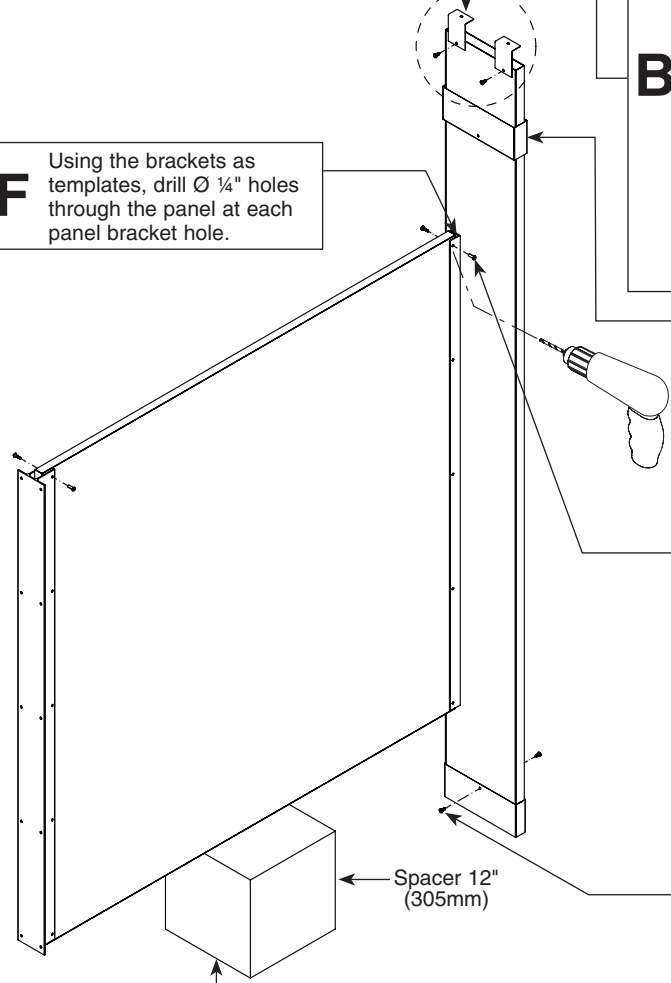
B Remove the pilaster.
For 3"—5" pilasters: center the "L" bracket between the projected outer edge lines and flush with the projected inside face line.
For 6"—24" pilasters: Two "L" brackets are provided. Place each bracket 1/2" in from the outer edge line and flush with the projected inside face line.
 For each bracket, use the bracket as a template and mark the hole location on the ceiling. Remove the bracket and drill a $\text{Ø } \frac{5}{16}$ " hole (min 2" [51mm] deep) at each hole location. Insert the plastic anchor and secure the bracket to the ceiling with #14 x 2" (stainless) screws provided.

C Slide the other shoe onto the top end of the pilaster with the screw hole towards the bottom and temporarily tape in place about 5" from the end.

G Secure the panel to the brackets with the #10-24 x 3/4" (stainless) barrel nuts and #10-24 x 3/4" (stainless) shoulder screws provided for aluminum or stainless steel brackets.

H Using the hole in the shoe as a template, drill a $\text{Ø } \frac{5}{32}$ " pilot hole all the way through the pilaster. Secure the shoe to the pilaster with the $\frac{1}{4}$ -14 x $\frac{5}{8}$ " fasteners provided.

D Place a panel on the spacer and insert the panel into the wall brackets. Set the pilaster back into the shoe secured to the floor while at the same time placing the brackets around the panel

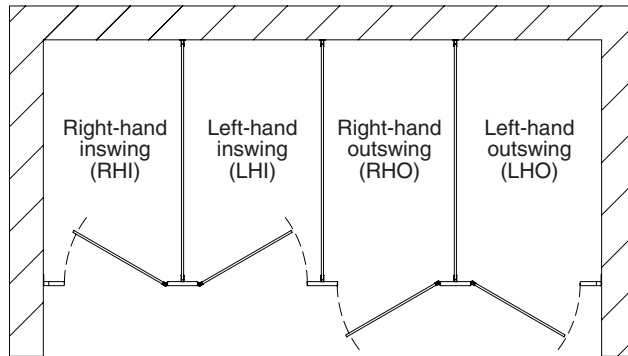


Spacer 12" (305mm)

7 Wraparound Gravity Hinges (Standard)



Before installing the hinges, make sure the door openings are the appropriate size, all pilasters are plumb and the pilaster mounting hardware is tightened securely. Determine the door swing by facing the compartment from the outside. Refer to your submittal drawings to determine each specific door swing for your application.



Floor to Ceiling
(8' Ceiling Height Shown)

A

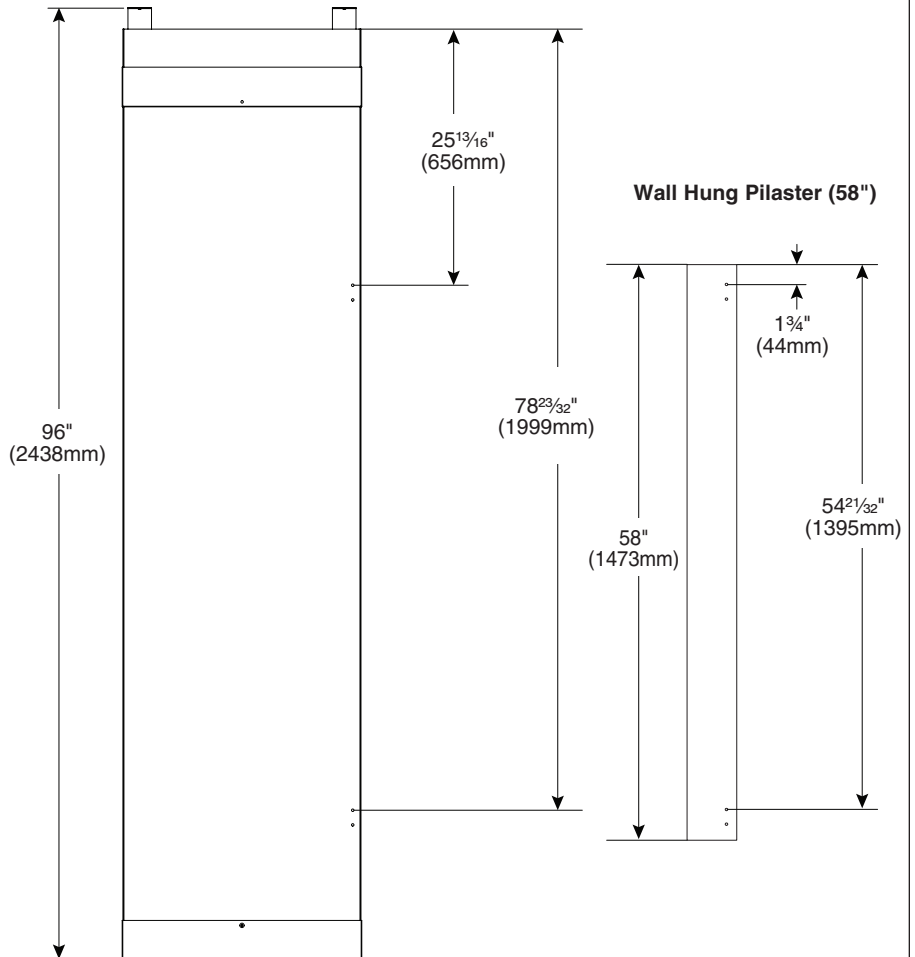
For an 8' ceiling, measure down $25\frac{13}{16}$ " (656mm) and $78\frac{23}{32}$ " (1999mm) from the top of the pilaster and mark a level line. This line represents the upper hole location of the top and bottom hinge. For ceiling heights other than 8' add or subtract the appropriate amount to the dimensions shown. For example, for a 9' ceiling add 12" to each dimension.

B


Using the hinge as a template, drill $\varnothing \frac{1}{4}$ " holes through the pilaster.

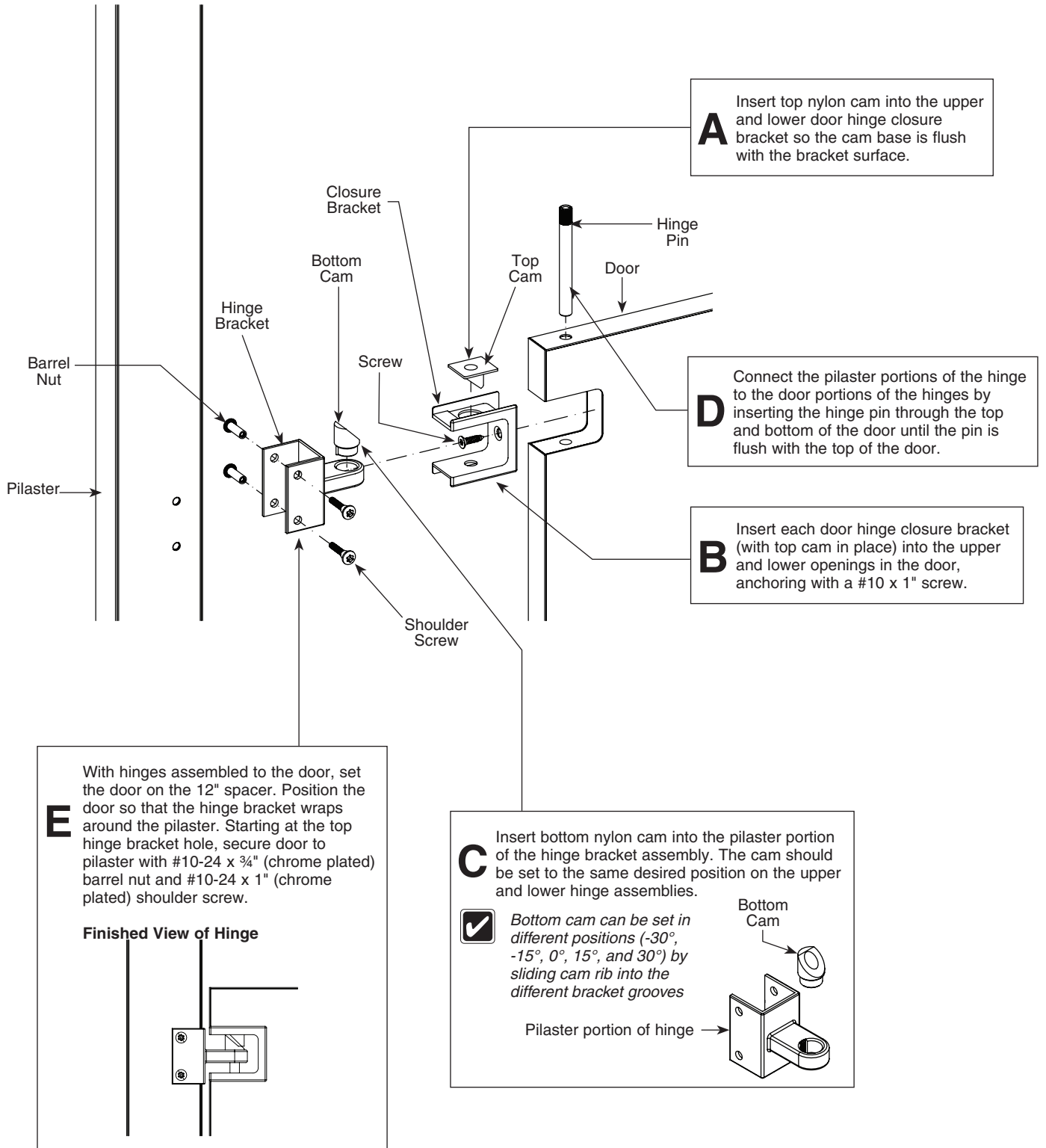
C

Slide the shoe up to the ceiling and using the hole in the shoe as a template drill a $\varnothing \frac{5}{32}$ " pilot hole all the way through the pilaster. Secure the shoe to the pilaster with the $\frac{1}{4}$ -14 x $\frac{5}{8}$ " fasteners provided.



7 Wraparound Gravity Hinges

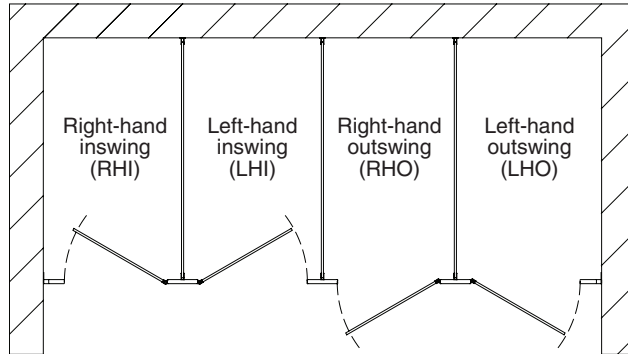
 The door hinge assembly consists of separate door and pilaster hardware. Identical assemblies are provided for the top and bottom hinge.



7a Continuous Spring-Loaded Piano Hinge (Optional)



Before installing the hinges, make sure the door openings are the appropriate size, all pilasters are plumb and the pilaster mounting hardware is securely tightened. Determine the door swing by facing the compartment from the outside. Refer to your submittal drawings to determine each specific door swing for your application.

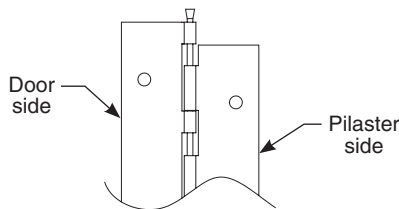


Continuous Piano Hinge

The part numbers listed are prefixes only and are used to identify the appropriate door kit based on your door swing as determined above. Inswinging doors should have hinges mounted on the inside of the stall while outswinging doors should have hinges mounted on the outside of the stall.

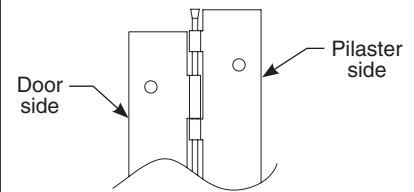
Part # Prefix HDWT-S0209

(left hand in, right hand out, knuckles facing front)



Part # Prefix HDWT-S0208

(right hand in, left hand out, knuckles facing front)

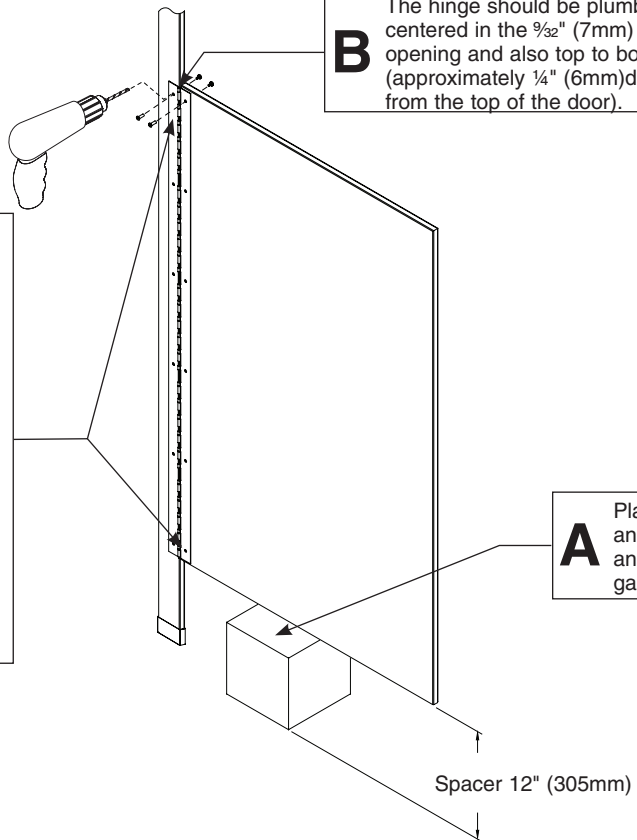


Closed Door View


C Using the hinge as a template, drill $\text{\O} \frac{1}{4}$ " holes through the door at the top and bottom holes. Secure the hinge to the door with the #10-24 x $\frac{1}{2}$ " shoulder screws and #10-24 x $\frac{3}{4}$ " (stainless) barrel nuts provided. Check to make sure the gaps are still at $\frac{3}{32}$ " (7mm). Using the hinge as a template drill $\text{\O} \frac{1}{4}$ " holes through the pilaster at the top and bottom holes. Secure the hinge to the pilaster with #10-24 x $\frac{3}{4}$ " (stainless) shoulder screws and 10-24 x $\frac{3}{4}$ " (stainless) barrel nuts. Drill $\text{\O} \frac{1}{4}$ " holes through the remaining hinge holes on the door and pilaster. Secure with the fasteners provided.

B The hinge should be plumb and centered in the $\frac{3}{32}$ " (7mm) gap opening and also top to bottom (approximately $\frac{1}{4}$ " (6mm) down from the top of the door).

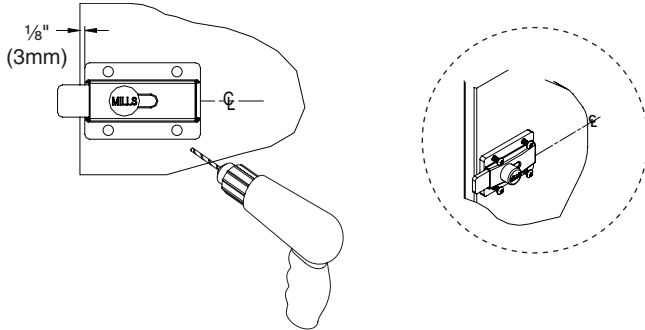
A Place a door on a spacer and set the gap at the hinge and latch side. Standard gap is $\frac{3}{32}$ " (7mm).



8 Latch and Strike/Keeper for Inswing Doors

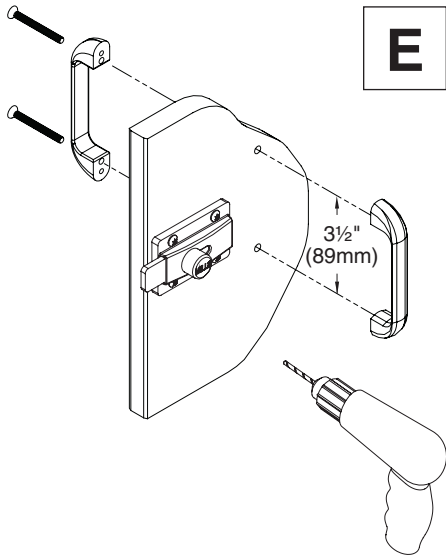
 Local codes vary from state to state. Check your local codes before installing the coat hook and door pulls.

A Position the slide latch on the inside of the door, centered top to bottom on the door. The leading edge of the latch body should be $\frac{1}{8}$ " (3mm) from the door edge.

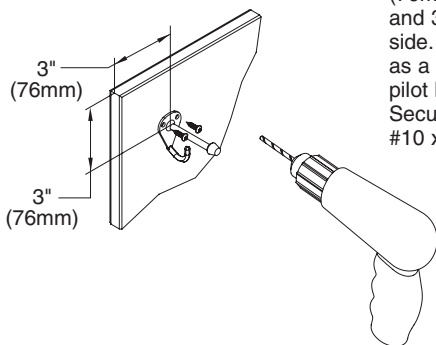


B Using the latch as a template, mark the hole locations on the door. Remove the latch and drill an $\text{Ø } \frac{1}{8}$ " x $\frac{5}{8}$ " (16mm) deep pilot hole at each location. Secure the latch to the door with the #10 x $\frac{5}{8}$ " screws provided.

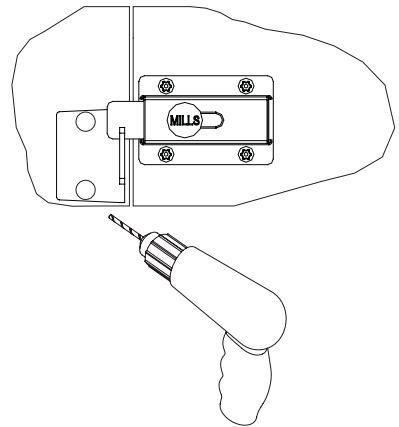
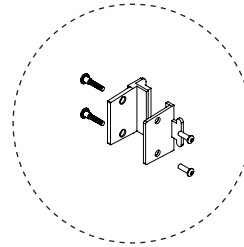
E For 34"–36" doors, drill two $\text{Ø } \frac{1}{4}$ " holes (spaced $3\frac{1}{2}$ " [89 mm] apart) through the door and mount the door pulls to the door as shown with the #10-24 x 2" flat machine screws provided.



F Install the coat hook on the inside of the door on the latch side at a location 3" (76mm) down from the top and 3" (76mm) in from the side. Using the coat hook as a template, drill two $\text{Ø } \frac{1}{8}$ " pilot holes $\frac{5}{8}$ " (16mm) deep. Secure the coat hook with the #10 x $\frac{5}{8}$ " screws provided.



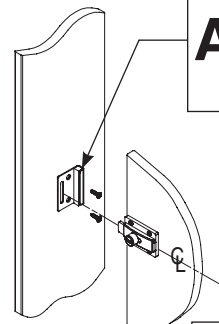
C With the door in the closed position, place the keeper on the pilaster and then align the latch slide bar so that it fits within the top notch of the keeper and operates freely. This will allow the egress function to operate properly should the latch malfunction.



D Using the keeper as a template, mark the hole locations on the pilaster and drill two $\text{Ø } \frac{1}{4}$ " holes through the pilaster. Secure the strike/keeper to the pilaster with #10-24 x $\frac{3}{4}$ " (chrome plated) barrel nuts and #10-24 x 1" (chrome plated) shoulder screws provided.


Typical Inswing Flat Strike/Keeper

A Position the strike as shown (door with slide latch should be in the closed position and latch should be able to engage the slot in the flat strike).

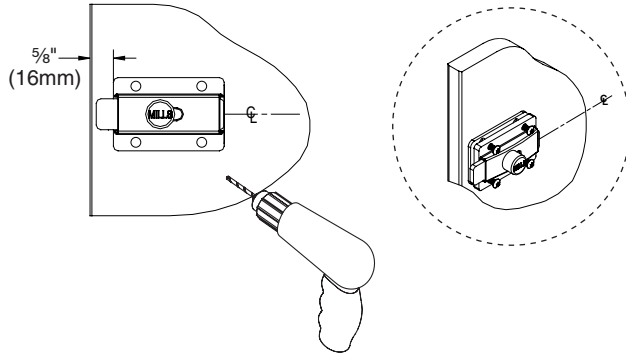


B Using the flat strike/keeper as a template drill two $\text{Ø } \frac{1}{8}$ " pilot holes $\frac{3}{4}$ " (19mm) deep. Secure the inswing flat strike/keeper with the #10 x $\frac{3}{4}$ " screws provided.

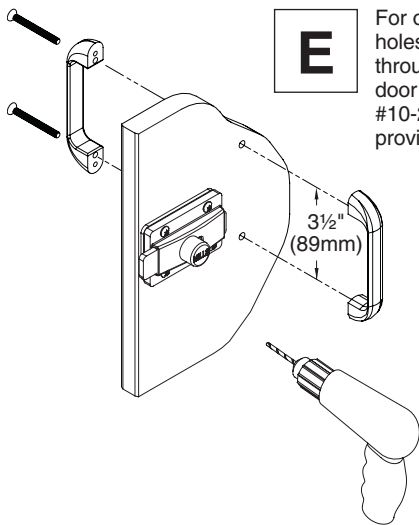
8a Latch and Strike/Keeper for Outswing Doors

 Local codes vary from state to state. Check your local codes before installing the coat hook and door pulls.

A Position the slide latch on the inside of the door, centered top to bottom on the door. The leading edge of the latch body should be $\frac{5}{8}$ " (16mm) from the door edge.

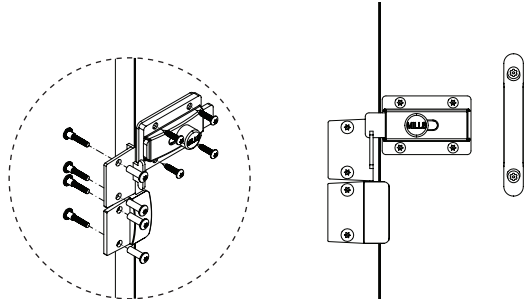


B Using the latch as a template, mark the hole locations on the door. Remove the latch and drill an $\text{Ø } \frac{1}{8}$ " x $\frac{5}{8}$ " (16mm) deep pilot hole at each location. Secure the latch and spacer to the door with the #10 x 1" screws provided.



E For outswing doors, drill two $\text{Ø } \frac{1}{4}$ " holes (spaced $3\frac{1}{2}$ " [89mm] apart) through the door and mount the door pulls to the door with the #10-24 x 2" flat machine screws provided (as shown).

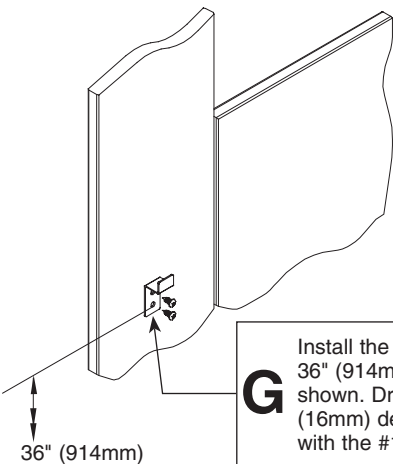
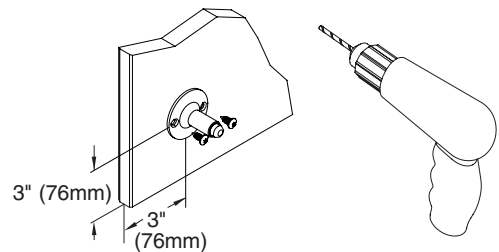
C With the door in the closed position, place the keeper on the pilaster and then align the latch slide bar so that it fits within the top notch of the keeper and operates freely. This will allow the egress function to operate properly should the latch malfunction.



D Using the keeper as a template, mark the hole locations on the pilaster and drill two $\text{Ø } \frac{1}{4}$ " holes through the pilaster. Secure the keeper to the pilaster as shown with #10-24 x $\frac{3}{4}$ " (chrome plated) barrel nuts and #10-24 x 1" (chrome plated) shoulder screws provided.

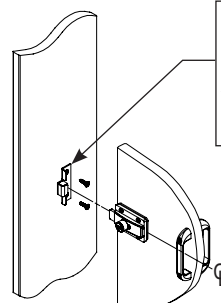
Place the strike on the pilaster below the keeper as shown. Make the hole locations on the pilaster and drill two $\text{Ø } \frac{1}{4}$ " holes through the pilaster. Secure the strike to the pilaster with #10-24 x $\frac{3}{4}$ " (chrome plated) barrel nuts and #10-24 x 1" (chrome plated) shoulder screws provided.

F Install the wall bumper on the outside of the door on the latch side at a location 3" (76mm) up from the bottom and 3" (76mm) in from the side. Drill two $\text{Ø } \frac{1}{8}$ " pilot holes $\frac{5}{8}$ " (16mm) deep. Secure the wall bumper with the #10 x $\frac{5}{8}$ " screws provided.



G Install the coat hook on the pilaster 36" (914mm) above finished floor as shown. Drill two $\text{Ø } \frac{5}{32}$ " pilot holes $\frac{5}{8}$ " (16mm) deep. Secure the coat hook with the #14 x $\frac{5}{8}$ " screws provided.


Typical Outswing Flat Strike/Keeper



A Position the strike as shown (door with slide latch should be in the closed position and latch should slide over the top tab portion of the flat strike).

B Using the flat strike/keeper as a template drill two $\text{Ø } \frac{1}{8}$ " pilot holes $\frac{3}{4}$ " (19mm) deep. Secure the outswing flat strike/keeper with the #10 x $\frac{3}{4}$ " screws provided.

9 Urinal Screens with Stirrup Brackets (Standard)

 Before installing the urinal screen components, determine the correct location for your application.

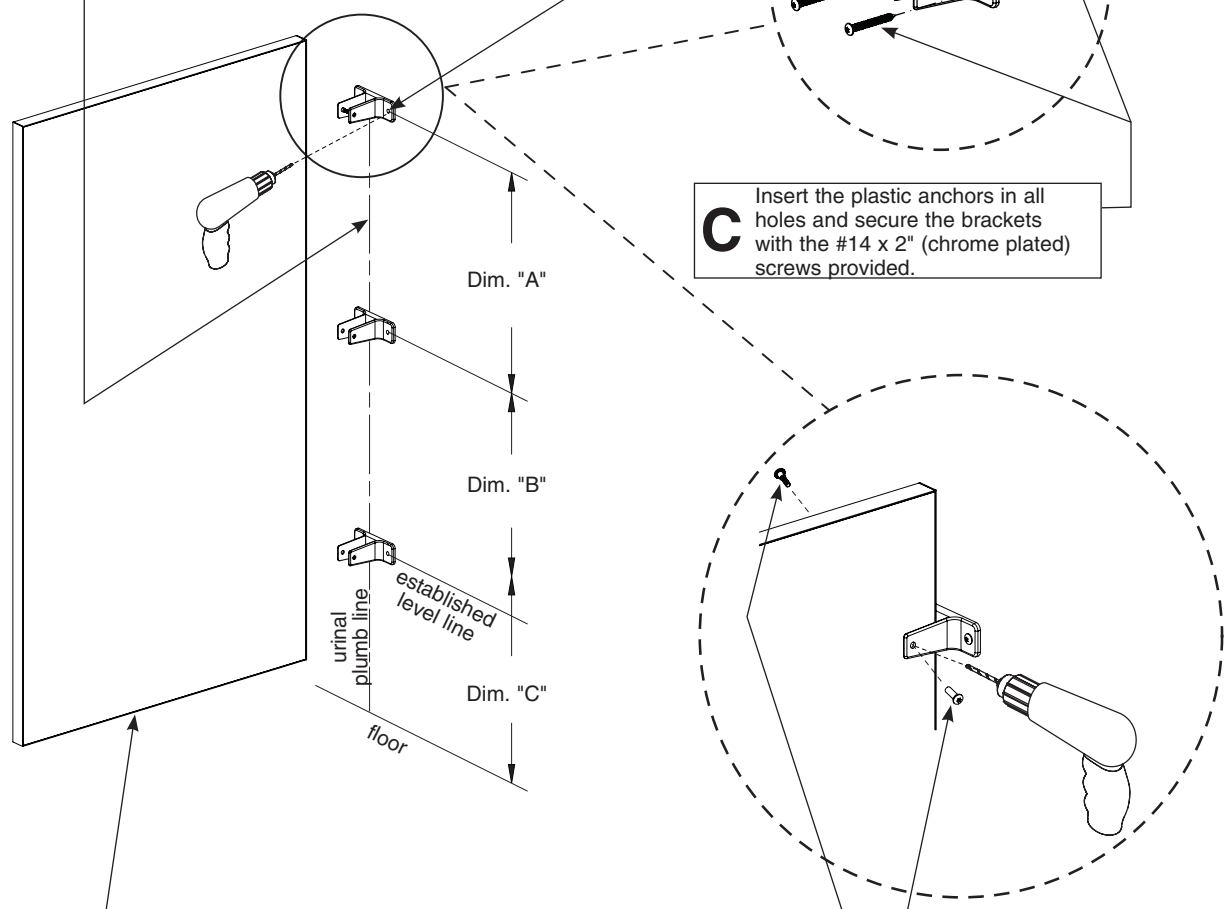
A Draw a plumb line on all walls representing urinal screen centers (see chart below for measurements). These marks represent hole centerlines for the brackets. Use a level to transfer that mark to all other plumb lines.

B Place the center of each stirrup bracket at each established level line. Center the bracket opening on the plumb line. Using the bracket as a template, mark the hole locations on the wall. Remove the bracket and drill a $\text{Ø } \frac{9}{16}$ " x min. 2" (51mm) deep hole at each hole location.

C Insert the plastic anchors in all holes and secure the brackets with the #14 x 2" (chrome plated) screws provided.

D Place the bottom of each urinal screen 18" (457mm) up from floor. Establish a 1" (25mm) gap between the finished wall and urinal screen edge. A spacer may help to support the weight of the screen and establish the appropriate distances.

E Drill $\text{Ø } \frac{1}{4}$ " holes through the screen at each bracket hole. Secure the screen to the brackets with #10-24 x $\frac{3}{4}$ " (chrome plated) barrel nuts and #10-24 x $\frac{3}{4}$ " (chrome plated) shoulder screws provided.



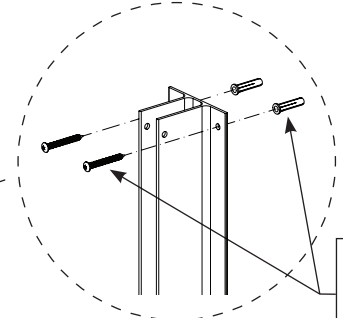
Dim. "A"	Dim. "B"	Dim. "C"
15" (381mm) for 42" (1067mm) screens or 18" (457mm) for 48" (1219mm) screens	15" (381mm) for 42" (1067mm) screens or 18" (457mm) for 48" (1219mm) screens	24" (610mm) for 42" (1067mm) screens or 24" (610mm) for 48" (1219mm) screens

9a Urinal Screens with Continuous Brackets (Optional)

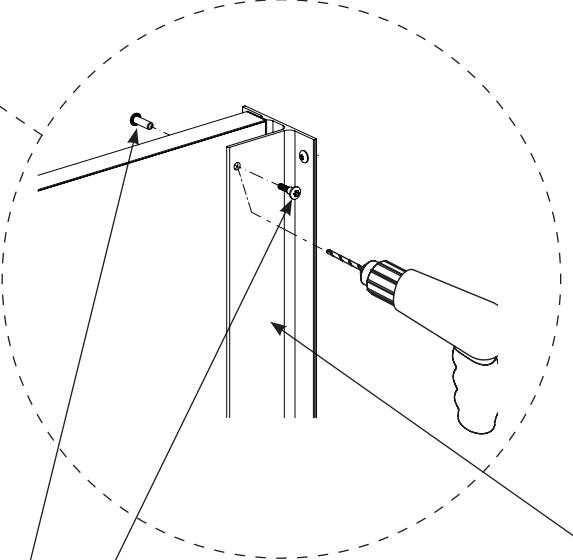
- Before installing the urinal screen components, determine the correct location for your application.
- Brackets are used as templates but since the hole patterns may be different, the brackets may not be interchangeable.

A Draw a plumb line on all walls representing urinal screen centers. Measure 18½" (470mm) up for 42" (1067mm) tall urinal screens or 21½" (546mm) up for 48" (1219mm) tall urinal screens from the floor and place a mark on the plumb line. Use a level to transfer that mark to all other plumb lines.

C Using the bracket as a template mark the hole locations on the wall. Remove the bracket and drill a Ø 5/16" x min. 2" (51mm) deep hole at each hole location.



D Insert the plastic anchors in all holes and secure the bracket with the #14 x 2" (stainless) screws provided.



E Place the bottom of each urinal screen 18" (457mm) up from floor. Establish a 1" (25mm) gap between the finished wall and urinal screen edge. A spacer may help to support the weight of the screen and establish the appropriate distances.

F Drill Ø ¼" holes through the screen at each bracket hole. Secure the screen to the bracket with #10-24 x ¾" (stainless) barrel nuts and #10-24 x ¾" (stainless) shoulder screws provided.

B Place the bottom of the continuous bracket at the established level line. Center the bracket opening on the plumb line.

