

# Installation

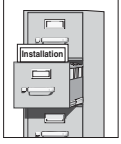
## S19-220HFP

### Stainless Steel Wall-Mounted Eyewash

#### Table of Contents

Pre-Installation Information .....	2
Dimensions .....	3
Installation .....	4
Assembly of Components .....	5
Parts List .....	6

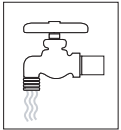
 **IMPORTANT** 



Read this installation manual completely to ensure proper installation, then file it with the owner or maintenance department. Compliance and conformity to drain requirements and other local codes and ordinances is the responsibility of the installer.



Separate parts from packaging and make sure all parts are accounted for before discarding any packaging material. If any parts are missing, do not begin installation until you obtain the missing parts.



Flush the water supply lines before beginning installation and after installation is complete. Test the unit for leaks and adequate water flow. Main water supply to the eyewash should be "ON" at all times. Provisions shall be made to prevent unauthorized shutoff.



The ANSI Z358.1 standard requires an uninterrupted supply of flushing fluid at a minimum 30 PSI (0.21 MPa) flowing pressure. Flushing fluid should be tepid per ANSI Z358.1.



The inspection and testing results of this equipment should be recorded weekly to verify proper operation. This equipment should be inspected annually to ensure compliance with ANSI Z358.1.



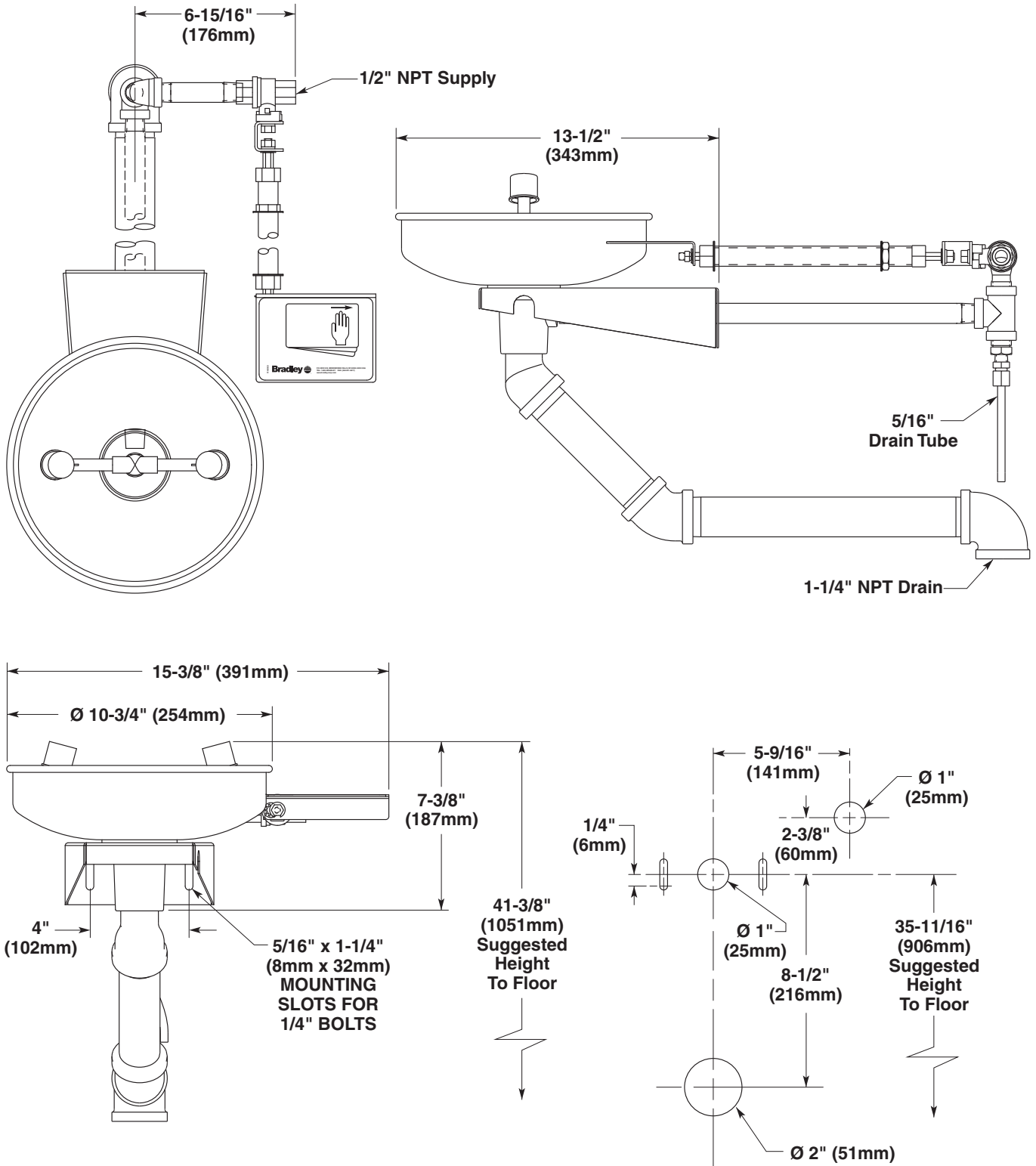
Workers who may come in contact with potentially hazardous materials should be trained regarding the placement and proper operation of emergency equipment per ANSI Z358.1.



For questions regarding the operation or installation of this product, visit [www.bradleycorp.com](http://www.bradleycorp.com) or call 1-800-BRADLEY.

Product warranties and parts information may also be found under "Products" on our web site at [www.bradleycorp.com](http://www.bradleycorp.com).

# S19-220HFP Dimensions



**NOTE:** All dimensions assume standard thread engagement. Variations in manufacturing allow for +/- 1/8" (3mm) per threaded joint. To find the tolerance of a dimension, add the number of thread joints in between a dimension and multiply it by 1/8" (3mm).

# Installation

## Supplies Required:

- (2) 1/4" wall fasteners and bolts
- Pipe sealant
- Piping to 1/2" NPT water supply inlet and piping to 1-1/4" NPT drain outlet (adequate drain for 5/16" weep drain tubing)
- Sign-mounting hardware

*NOTE: Local codes may require the installation of a backflow prevention valve to complete proper installation. Compliance with local codes is the responsibility of the installer. Valve must be tested annually to verify that it is functioning properly. Backflow prevention valves are not included with the fixture and may be supplied by the contractor or purchased from Bradley Corporation.*

## Step 1: Mount eyewash and install supply piping

*NOTE: The top of the eyewash heads should be 33"–45" (838mm–1143mm) from the floor. Refer to page 3 for appropriate dimensions.*

1. Drill supply, drain, and operating rod holes at the dimensions shown on page 3.
2. Secure the eyewash receptor assembly to the wall using appropriate wall anchors and bolts (supplied by installer).
3. Install the drain and supply piping (apply pipe sealant to all male-threaded pipe joints).

## Step 2: Secure operating support sleeve

*NOTE: This unit has been designed to accommodate varying wall thicknesses. When installing the operating stem support sleeve (Item 19) it will be necessary to cut off one or both ends of the sleeve so that 5/8" of threaded pipe protrudes from both sides of the wall.*

1. Insert the operating support sleeve through the wall and secure in place with the nuts and washers provided

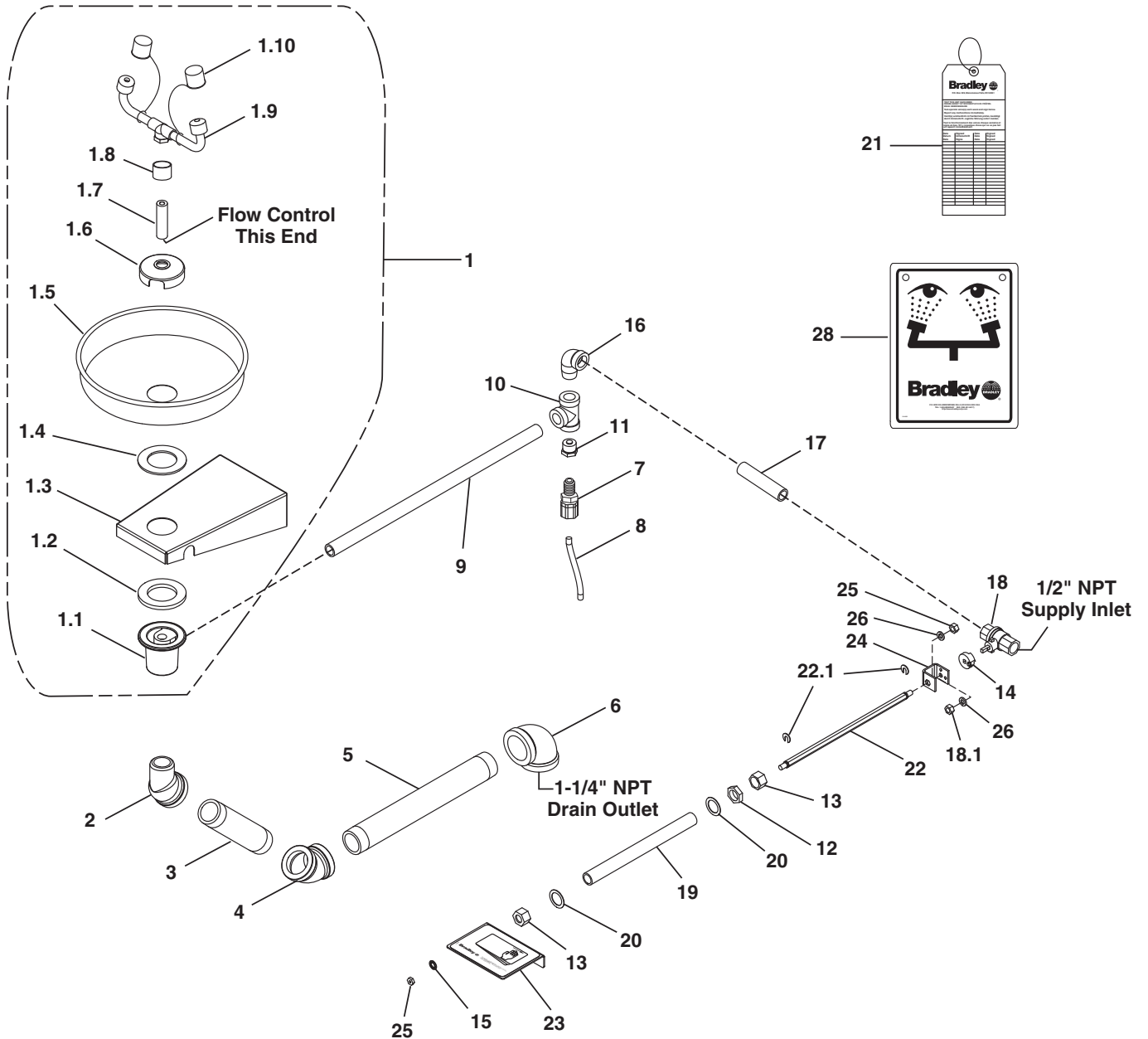
*NOTE: Refer to the illustration on page 5 for component assemblies.*

2. Attach handles (Items 23 and 24) with the nuts and lockwashers provided.

## Step 3: Connect water supply

1. Tighten all pipes and fittings maintaining proper alignment.
2. Connect the water supply piping to the 1/2" NPT inlet on the eyewash (piping supplied by installer).
3. Connect drain piping to the 1-1/4" NPT drain outlet on the eyewash (piping supplied by installer).
4. Connect the drain tube (Item 8) to the weep and route to an adequate drain.
5. Mount safety sign to wall using sign mounting hardware (supplied by installer).

# Assembly of Components



**NOTE: Items 1.1-1.10 come preassembled as Item 1.**

## Parts List

Item	Part No.	Qty	Description	Item	Part No.	Qty	Description
1	S90-302	1	Stainless Steel Bowl Assembly	11	S29-068	1	Weep Valve Assy.
1.1	111-039	1	Inlet-Drain Fitting	12	142-002DA	1	Washer
1.2	124-028	1	Gasket	13	110-191	2	Connector Nut
1.3	140-645	1	Wall Bracket	14	110-115	1	Nut
1.4	124-024	1	Washer	15	153-372R	1	Adapter, Ball Valve
1.5	187-053	1	Stainless Steel Bowl	16	169-025	1	90° Street Elbow 1/2" NPT
1.6	173-009	1	Cup Strainer	17	113-006MS	1	Pipe 1/2" NPT x 3-3/4" lg.
1.7	S21-071	1	Supply Pipe Assy.	18	S27-282	1	Stay-Open Ball Valve 1/2" NPT w/Nut
1.8	113-1159	1	Spacer, Drain	18.1	110-215	1	Nut only
1.9	S05-091	1	Eyewash Yoke	19	113-006NN	1	(0"-8") pipe sleeve 1/2" NPT x 9-1/4"
1.10	107-371	2	Dust Cover		113-006NR	1	(8"-12") pipe sleeve 1/2" NPT x 13-1/4"
2	169-850	1	45° Street Elbow 1-1/4" NPT		113-006NU	1	(12"-18") pipe sleeve 1/2" NPT x 19-1/4"
3	113-006LT	1	Pipe 1-1/4" NPT x 6-1/2" Lg.	20	142-002CB	2	Washer
4	169-849	1	45° Elbow 1-1/4" NPT	21	204-421	1	Emergency Tag
5	113-006NQ	1	(0-8" wall) Pipe 1-1/4" NPT x 12-1/16"	22	S21-067	1	(0"-8") Operating Rod
	113-006NT	1	(8-12" wall) Pipe 1-1/4" NPT x 16-1/16"		S21-067A	1	(8"-12") Operating Rod
	113-006NW	1	(12-18" wall) Pipe 1-1/4" NPT x 22-1/16"		S21-067B	1	(12"-18") Operating Rod
6	169-764	1	Elbow 1-1/4" NPT	22.1	132-042	2	Retaining Ring
7	269-882	1	Connector	23	S08-308	1	Handle Assy.
8	R68-600015	4 ft.	Tube	24	128-151	1	Handle
9	113-006NP	1	(0"-8" wall) Pipe 1/2" NPT x 18-3/8"	25	161-036	2	Nut-Hex 5/16"-18 Str. Stl.
	113-006NS	1	(8"-12" wall) Pipe 1/2" NPT x 22-3/8"	26	142-002BK	2	Lockwasher
	113-006NV	1	(12"-18" wall) Pipe 1/2" NPT x 28-3/8"	27	114-051	1	Safety Sign
10	169-838	1	Pipe Tee 1/2"				

Prepack S45-1782 includes Items 1.4, 1.6, 1.7, 1.8