

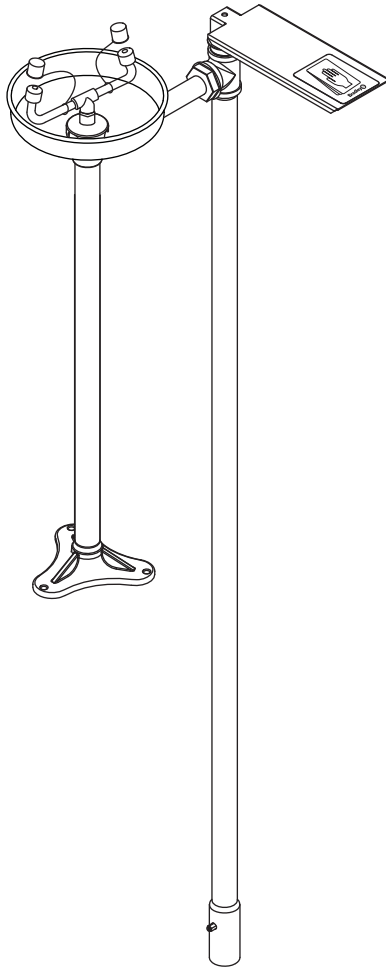
# Installation

## E19-210HFP

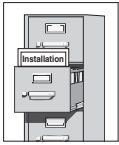
### Pedestal-Mounted Eyewash

#### Table of Contents

Pre-Installation Information .....	2
Installation Instructions .....	3
Assembly of Components .....	4-5
Parts List .....	6



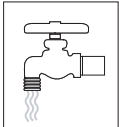
**⚠ WARNING ⚠**



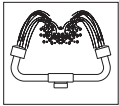
Read this installation manual completely to ensure proper installation, then file it with the owner or maintenance department. Compliance and conformity to drain requirements and other local codes and ordinances is the responsibility of the installer.



Separate parts from packaging and make sure all parts are accounted for before discarding any packaging material. If any parts are missing, do not begin installation until you obtain the missing parts.



Flush the water supply lines before beginning installation and after installation is complete. Test the unit for leaks and adequate water flow. Main water supply to the eyewash should be "ON" at all times. Provisions shall be made to prevent unauthorized shutoff.



The ANSI Z358.1 standard requires an uninterrupted supply of flushing fluid at a minimum 30 PSI (0.21 MPa) flowing pressure. Flushing fluid should be tepid per ANSI Z358.1.



The inspection and testing results of this equipment should be recorded weekly to verify proper operation. This equipment should be inspected annually to ensure compliance with ANSI Z358.1.



Workers who may come in contact with potentially hazardous materials should be trained regarding the placement and proper operation of emergency equipment per ANSI Z358.1.



For questions regarding the operation or installation of this product, visit [www.bradleycorp.com](http://www.bradleycorp.com) or call 1-800-BRADLEY.

Product warranties may also be found under "Product Information" on our web site at [www.bradleycorp.com](http://www.bradleycorp.com).

## Installation

### Supplies Required:

- (3) 10mm floor anchors and bolts
- Pipe sealant
- Piping to 1-1/4" BSP water supply inlet on unit
- Piping to 1-1/4" BSP drain outlet
- Material for concrete footings
- Crushed stone

### Step 1: Prepare foundation

1. Excavate a hole for the drain and inlet to a depth of a minimum of 152mm (6") below the frost line. NOTE: Standard depth: 914mm (3') (see Figure 1).
2. Pour a concrete footing for the eyewash adjacent to the excavation for the inlet and drain piping (see Figure 1).

### Step 2: Assemble eyewash

1. Assemble the long pipe to the eyewash base and the eyewash bowl as shown in Figure 2 on page 4.



**IMPORTANT: Make sure the supply inlet on the bowl is aligned toward the inlet excavation**

2. Attach the eyewash over the drain excavation to the concrete footing with suitable fasteners (supplied by installer).
3. Lower the frostproof valve assembly into the excavation and attach to the eyewash bowl inlet using the close nipple and union. This will establish the height of the valve for connection to the supply and drain.

### Step 3: Connect valve and complete installation

1. Connect the valve to the supply inlet and weep the valve to drain down waste.
2. Backfill the excavation as specified in Figure 1.
3. Assemble the remaining components as shown in Figure 2 on page 4. Apply pipe sealant (supplied by installer) to all pipe joints.

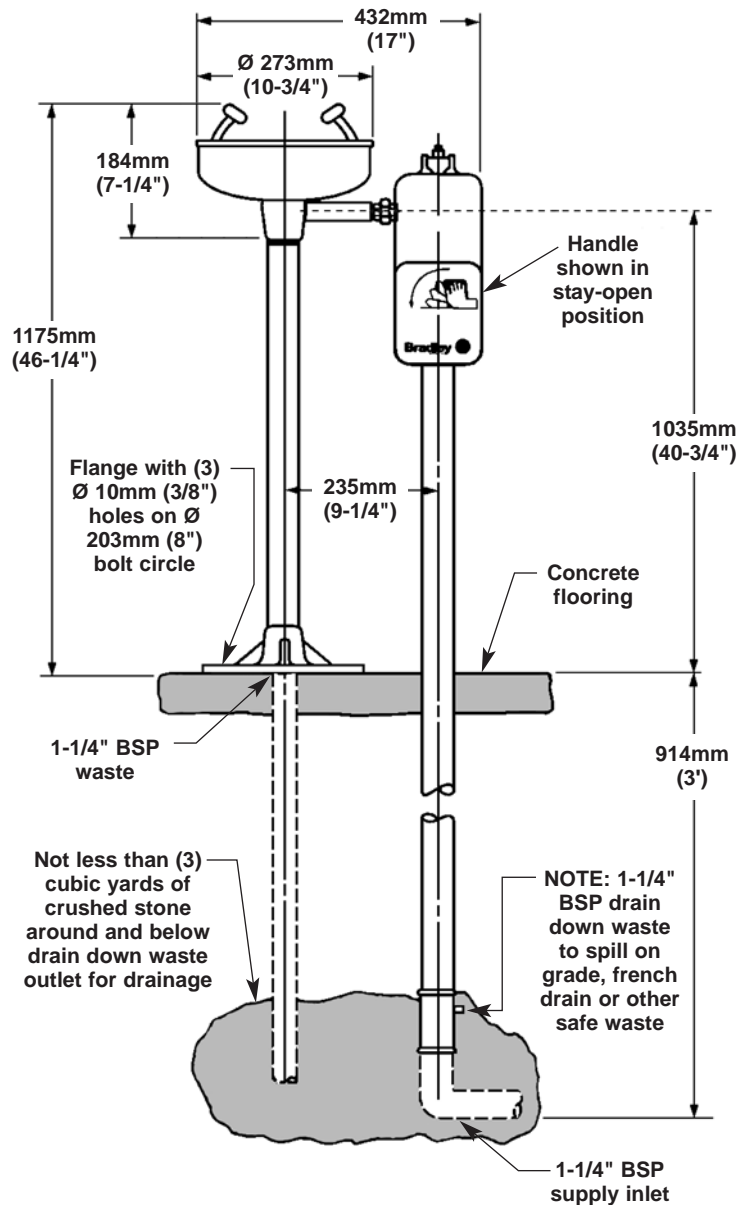
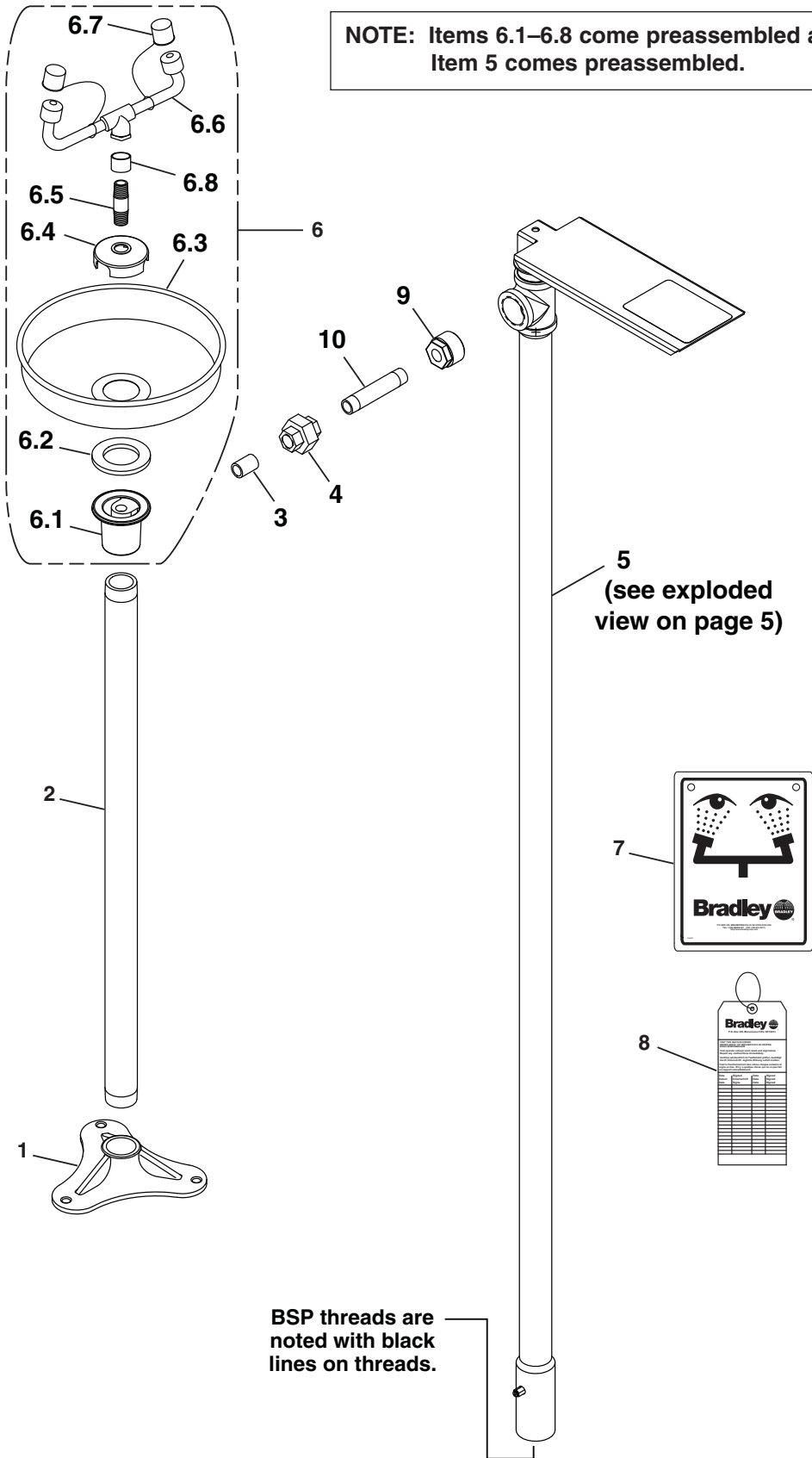


Figure 1

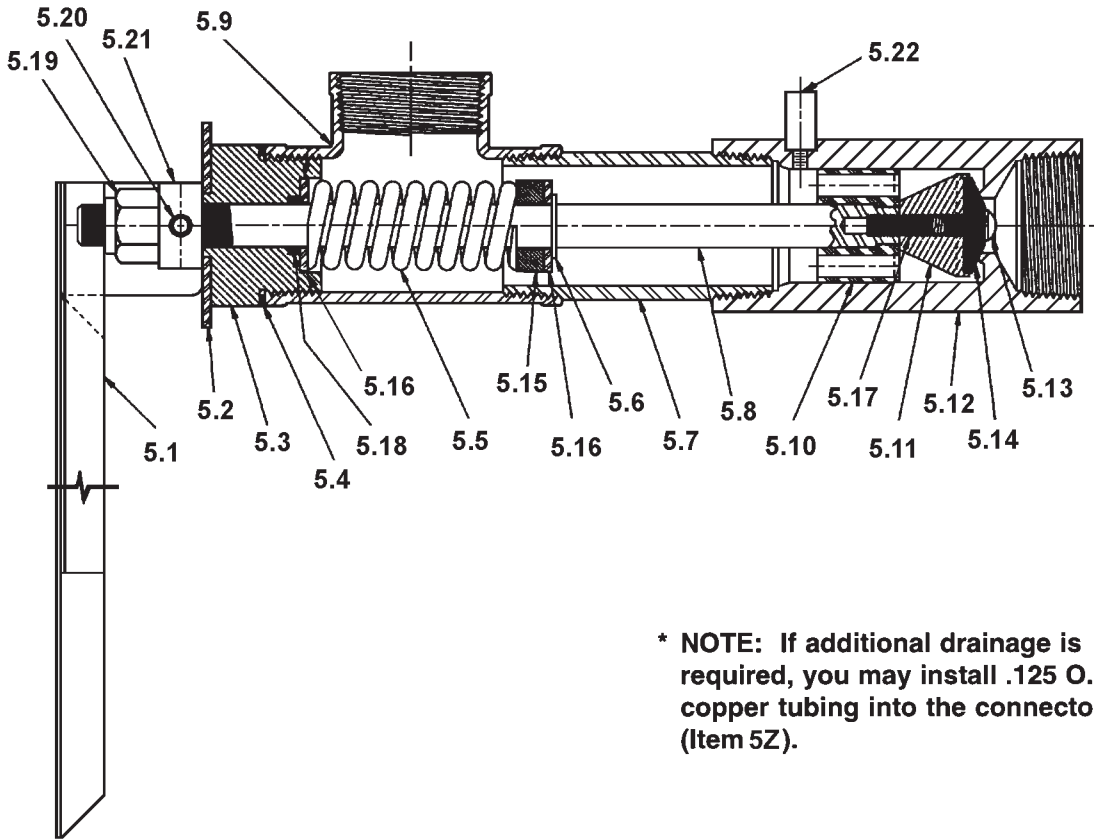
# Assembly of Components



BSP threads are noted with black lines on threads.

Figure 2

# Assembly of Components



\* NOTE: If additional drainage is required, you may install .125 O.D. copper tubing into the connector (Item 5Z).

## Parts List

Item	Part No.	Qty	Description	Item	Part No.	Qty	Description
1	131-042	1	Base	5.17	160-251	1	Screw Stud
2	113-988	1	Pipe 1-1/4" IPS x 952mm	5.18	125-001CD	1	O-Ring
3	113-006LG	1	Close Nipple 1/2" IPS	5.19	110-109	1	Bar Nut
4	169-726	1	Union 1/2"	5.20	165-038	2	Roll Pin
5	S90-351B	1	914mm Frostproof Valve Assembly	5.21	161-061	1	Stop Nut
5.1	S08-040	1	Handle Assembly	5.22	169-890	1	Connector
5.2	142-002BB	1	Stainless Steel Washer	6	S90-285	1	Eyewash Assembly
5.3	110-108	1	Bonnet Nut	6.1	111-039	1	Inlet-Drain Fitting
5.4	124-001BS	1	Gasket	6.2	124-028	1	Gasket
5.5	135-001AP	1	Spring	6.3	187-053	1	Stainless Steel Bowl
5.6	132-012	1	Retaining Ring	6.4	173-009	1	Cup Strainer
5.7	113-987	1	Casing Pipe (914mm Bury Depth)	6.5	S21-071	1	Supply Pipe
5.8	120-022L	1	Lifting Stem (914mm Bury Depth)	6.6	S05-091	1	Eyewash Yoke
5.9	169-727A	1	Tee	6.7	107-371	2	Tethered Dust Cover
5.10	145-072	1	Guide	6.8	113-1159	1	Spacer, Stainless Steel
5.11	132-011	1	Retainer	7	114-051E	1	Safety Sign
5.12	118-246B	1	Valve Body Assembly	8	204-421	1	Emergency Inspection Tag
5.13	160-138	1	Machine Screw	9	169-725	1	Reducing Bushing
5.14	169-920	1	Faucet Washer	10	113-006LJ	1	Pipe 1/2" x 102mm
5.15	182-061	1	Spacer	11	269-915	1	Grip Pad (not shown)
5.16	142-002CC	3	Washer				