



# 7910 Single Valve Recessed Hose Box

- Single Supply Valve
- Screwdriver Stop
- 3/4" Hose Connection Vacuum Breaker
- Stand-Off Bracket Keeps Valve Securely in Place

## Specifications

### Material

Box is constructed entirely of 16 gauge, type 304 stainless steel. All exposed stainless steel surfaces are polished to a #4 satin finish. All fittings are brass.

### Construction

#### Wall Anchoring

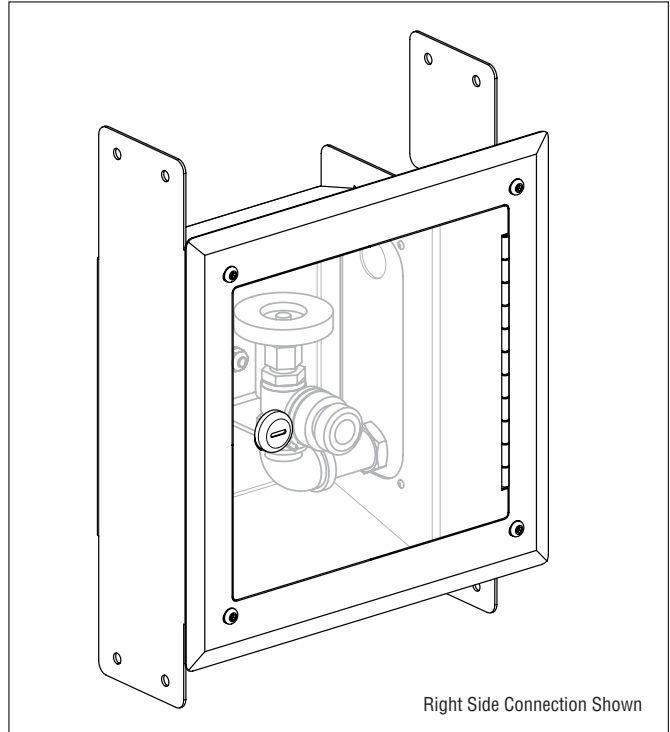
Box is furnished with four stainless steel tabs which provide a secure means for anchoring to the wall.

#### Supply Connection

Supply can be configured with top, left or right side connection. Supply inlet is 1/2" NPT. Outlet is 3/4" hose.

### Standard Equipment

Recessed box with valve, screwdriver stop, vacuum breaker, and removable wall flange.

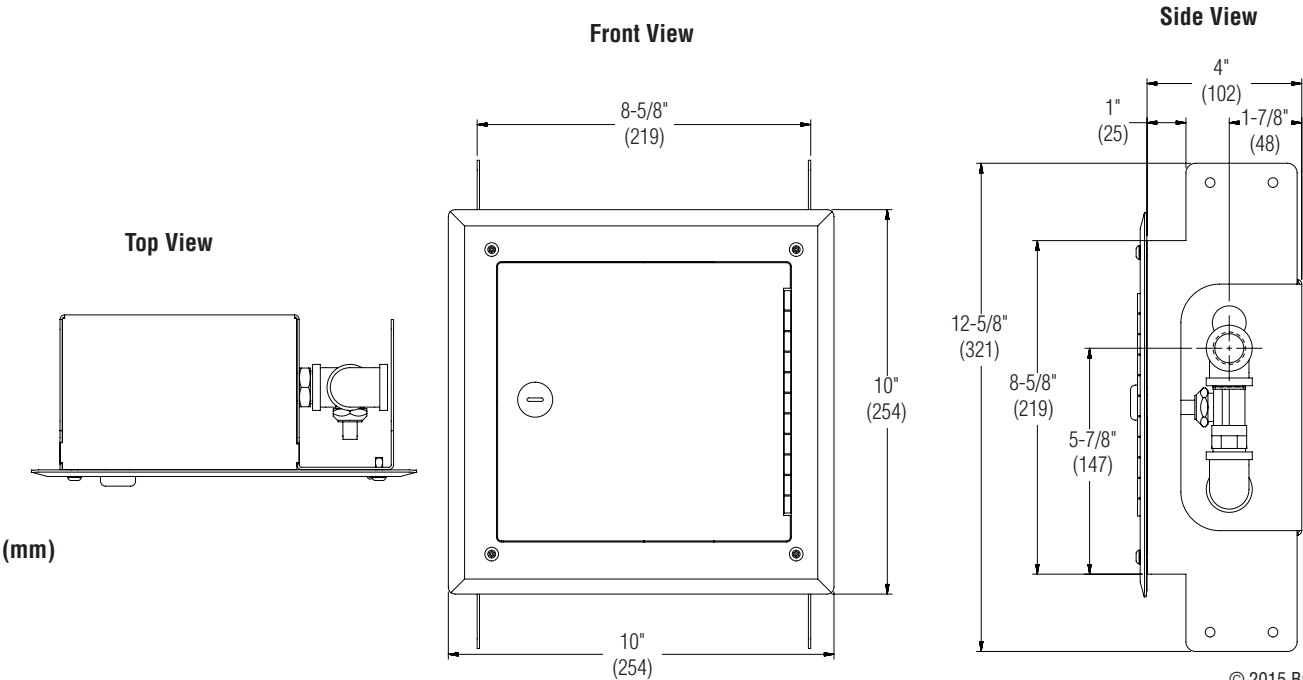


Right Side Connection Shown

Model	Description
□ 7910 (S86-120)	Single Valve Supply with Door

### Rough-In Dimensions

8-5/8" (219) x 8-5/8" (219) Wall opening



© 2015 Bradley

P.O. Box 309, Menomonee Falls, WI 53052-0309  
800 BRADLEY (800 272 3539) +1 262 251 6000  
bradleycorp.com