



LVGD1 Verge® Wash Basin – LVG-Series

- ADA and TAS Compliant
- Serves One User at a Time
- Elongated Basin is Constructed of Evero® Natural Quartz Surface
- Select a Bradley Faucet or Faucet by Others
- Available in a variety of colors

Specifications

Accommodates one user. The units handle washroom traffic quickly and economically, while providing each user with personal space.

Construction

Basin

Evero Geo Series is a natural quartz surface made from a blend of bio-based resin, natural quartz, granite and other exotic minerals. It is made of 25% recycled content.

Evero Pearl Series is a natural quartz surface made with bio-based resin, sea shells, recycled glass and natural quartz. It is made of 70% recycled content.

Variations in the natural stone color, pattern, size, shape and shade are inherent. Due to these unique characteristics, please expect subtle shade variations when units are installed adjacent to each other.

Access Panel

Panel is composed of decorative 300 series stainless steel.

Support Frame

Basin assembly and access panel are secured to a heavy gauge stainless steel support frame mounted to wall.

Vandal Resistance

Water supplies, valves, waste assembly and other optional items are concealed within the access panel/frame.

Faucet Options

There are several hands-free faucet options available with the Verge Wash Basin. Choose from CAP-DCR, IR-DCD or IR-DCG. For more information on these standard faucet options and plug-in adapters, please enter the model number in the search box at www.bradleycorp.com. 4" Centerset and Centershank faucet hole drillings are available for faucets by others.

Product Compliance

ANSI Standards

Evero Natural Quartz Surface meets the requirements of CSA B45.5/IAPMO Z124.

cUPC Approval

Verge Wash Basin is Uniform Plumbing Code (UPC), International Plumbing Code (IPC) and National Plumbing Code of Canada approved through the International Association of Plumbing and Mechanical Officials (IAPMO). Manufactured in compliance with IGC 156, CSA B45 Series (R08) & ASME A112.18.1/CSA B125.1.

This plumbing fixture is designed for hand washing only. It is not intended to dispense water for human consumption through drinking or for preparation of food or beverages.

Standard product selections contained within this document are third party **CERTIFIED** to NSF/ANSI 372 meeting the Lead-Free content requirement. Any product configured with custom options will be **COMPLIANT** with NSF/ANSI 372 meeting the Lead-Free content requirement.

Protected by one or more of the following U.S. Patents:
D625,792 S; D633,992 S; and D642,664 S.

Page 1 of 4
5/1/2019
This information is subject to change without notice.
Bradley_Sink_Verge_LVGD1



Models (Must select one)

Model	Description
<input type="checkbox"/> LVGD1	Verge Wash Basin – LVGD-Series, One-Station

Standard Selections (Must select one from each category)

Faucet Type (select one)

<input type="checkbox"/> IR-DCG	Infrared Faucet Battery	<input type="checkbox"/> 4" SET	4" Centerset Drilling (1-1/4" Drillings Only)
<input type="checkbox"/> IR-DCD	Infrared Faucet Battery	<input type="checkbox"/> SHANK	Centershank Drilling (1-1/4" Drillings Only)
<input type="checkbox"/> CAP-DCR	Capacitive Faucet Battery		

Water Supply Type (select one)

<input type="checkbox"/> T	Navigator® Thermostatic Mixing Assembly (Hot and Cold Supplies) w/Stops and Supply Hoses
<input type="checkbox"/> L	Single Tempered Line Assembly (Supply Hoses and Shut-Offs Included)

Soap Dispenser Type (select one)

<input type="checkbox"/> 6324-68	32-oz. Plastic Globe, 4" Spout
<input type="checkbox"/> 6315-KT0000	Battery IR Metering Soap Dispenser Kit (with batteries and 1,000-shot soap)
<input type="checkbox"/> 6334	16 oz. Plastic Globe, 3-1/2" Spout
<input type="checkbox"/> SDO	1-1/4" Soap Drilling Only
<input type="checkbox"/> NSD	No Soap Dispenser, No Drilling

Color of Evero® Basin (select one)

Geo Series

<input type="checkbox"/> ANDORRA	Andorra	<input type="checkbox"/> GLACIER	Glacier Bay	<input type="checkbox"/> RAINIER	Rainier
<input type="checkbox"/> ANTARCTICA	Antarctica	<input type="checkbox"/> KALAHARI	Kalahari	<input type="checkbox"/> SIENA	Sienna
<input type="checkbox"/> ARUBA	Aruba	<input type="checkbox"/> MOJAVE	Mojave	<input type="checkbox"/> SIERRA	Sierra Madre
<input type="checkbox"/> BLACK-SEA	Black Sea	<input type="checkbox"/> MYKONOS	Mykonos	<input type="checkbox"/> YUKON	Yukon
<input type="checkbox"/> DENALI	Denali	<input type="checkbox"/> PATAGONIA	Patagonia		

Pearl Series (available at an additional charge) (non-cancelable, non-returnable)

<input type="checkbox"/> AKOYA	Akoya	<input type="checkbox"/> BLACK-MOON	Black Moon
--------------------------------	-------	-------------------------------------	------------

Access Panel Type (select one)

<input type="checkbox"/> STAIN	Stainless Steel
--------------------------------	-----------------

Waste Assembly Type:

<input type="checkbox"/> S-POLY	Single Plastic Polypropylene P-Trap
<input type="checkbox"/> S-CHROME	Single Chrome-Plated P-Trap

Optional Selections

Faucet Adapter Type:

<input type="checkbox"/> PT	Plug-in adapter to convert battery operated CAP-DCR, IR-DCD or IR-DCG
-----------------------------	-----------------------------------------------------------------------

Soap Adapter Type:

<input type="checkbox"/> P19-231F	Plug-in adapter - 6315 soap dispenser (must order as a separate line item)
-----------------------------------	----------------------------------------------------------------------------

For more information on Evero Natural Quartz Surface, faucets, valves, transformers, and the soap dispensers, please visit bradleycorp.com.



Certified to
NSF/ANSI 372

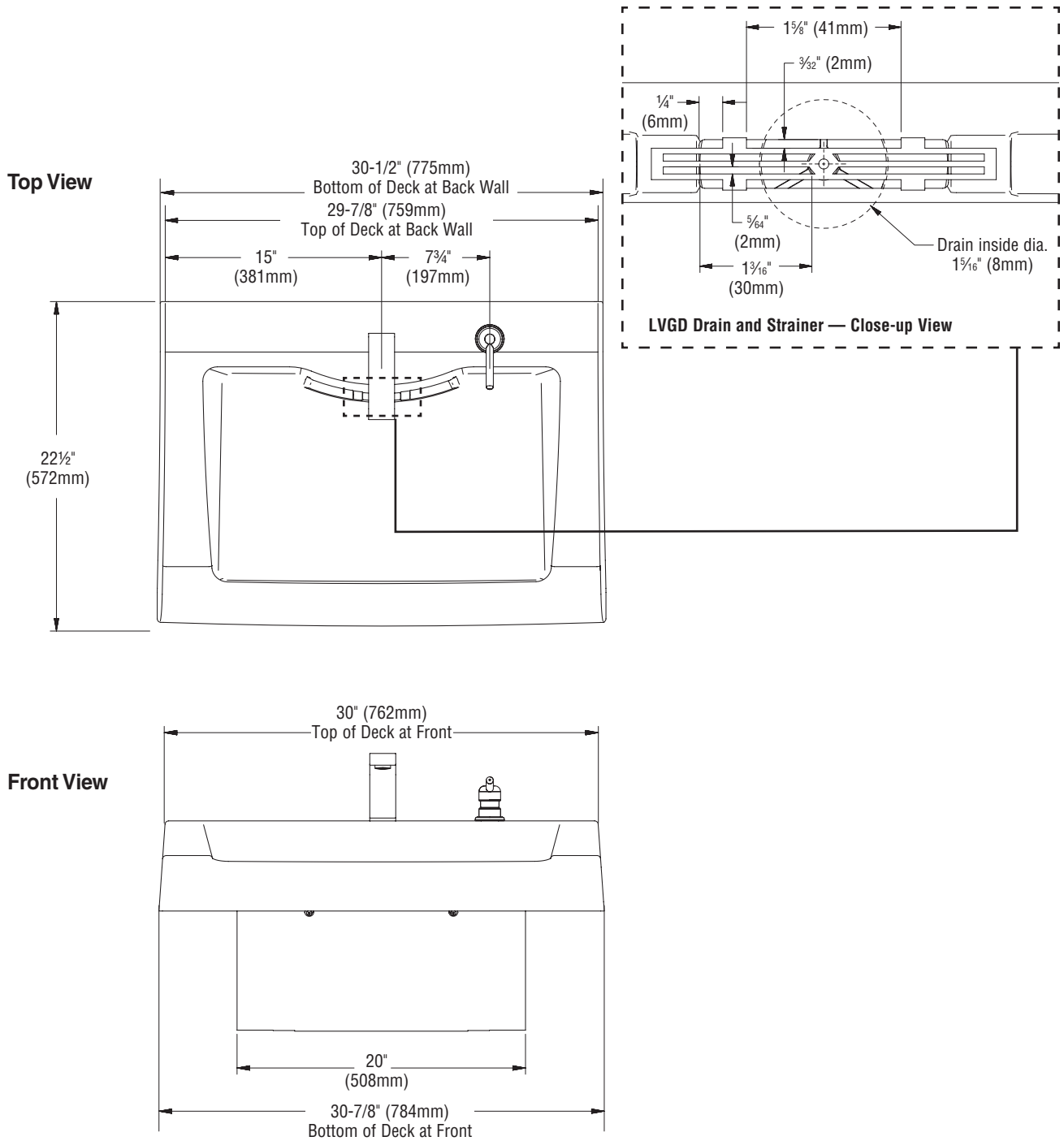


© 2019 Bradley
P.O. Box 309, Menomonee Falls, WI 53052-0309
800 BRADLEY (800 272 3539) +1 262 251 6000
bradleycorp.com



LVGD1 Verge® Wash Basin – LVG-Series

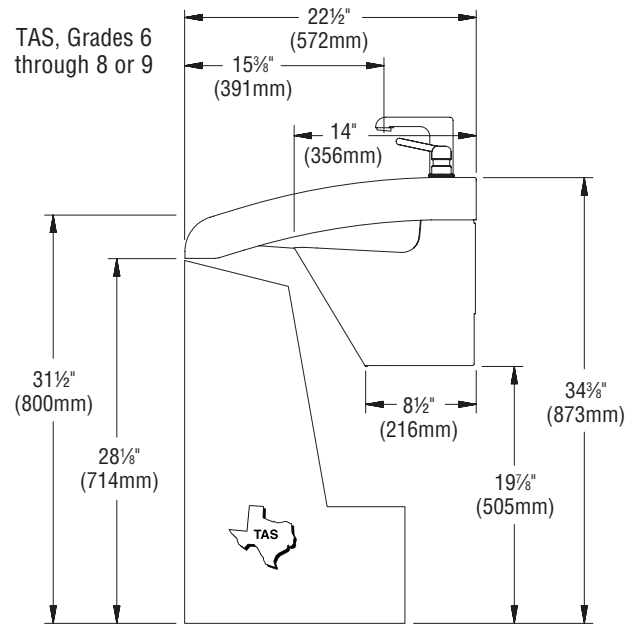
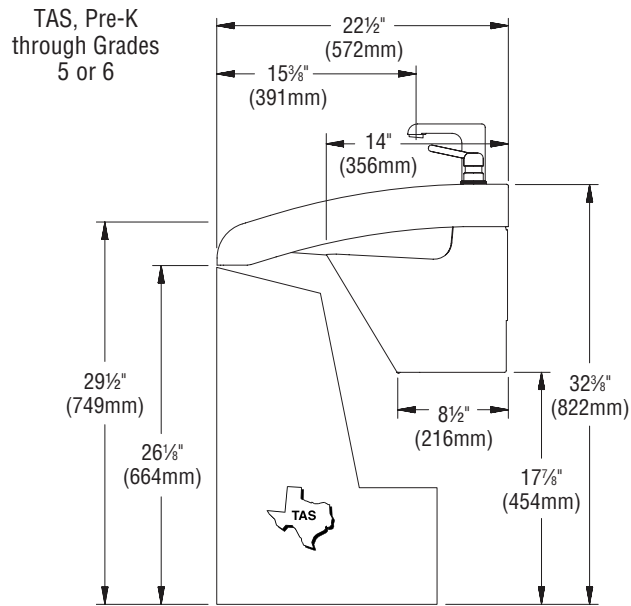
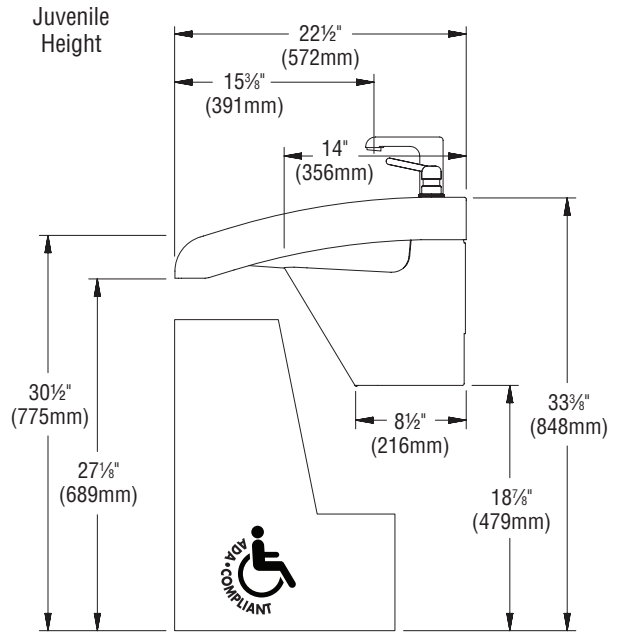
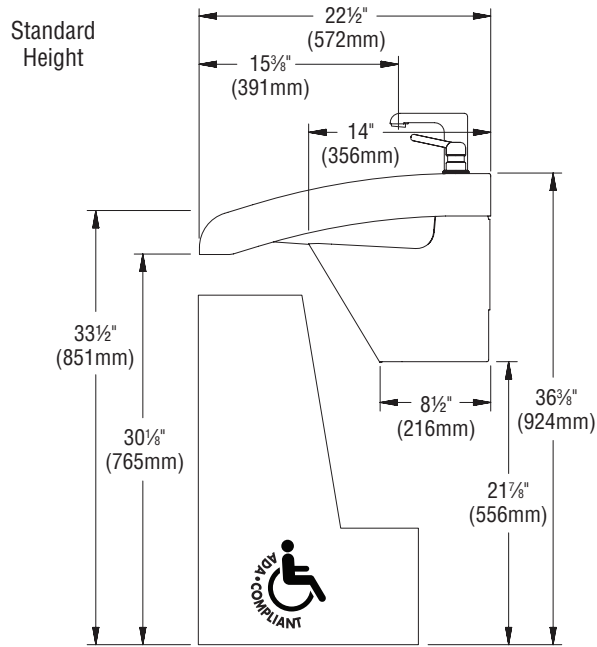
Dimensions for LVGD1 Verge Wash Basin





LVGD1 Verge® Wash Basin – LVG-Series

Dimensions for LVGD1 Verge Wash Basin



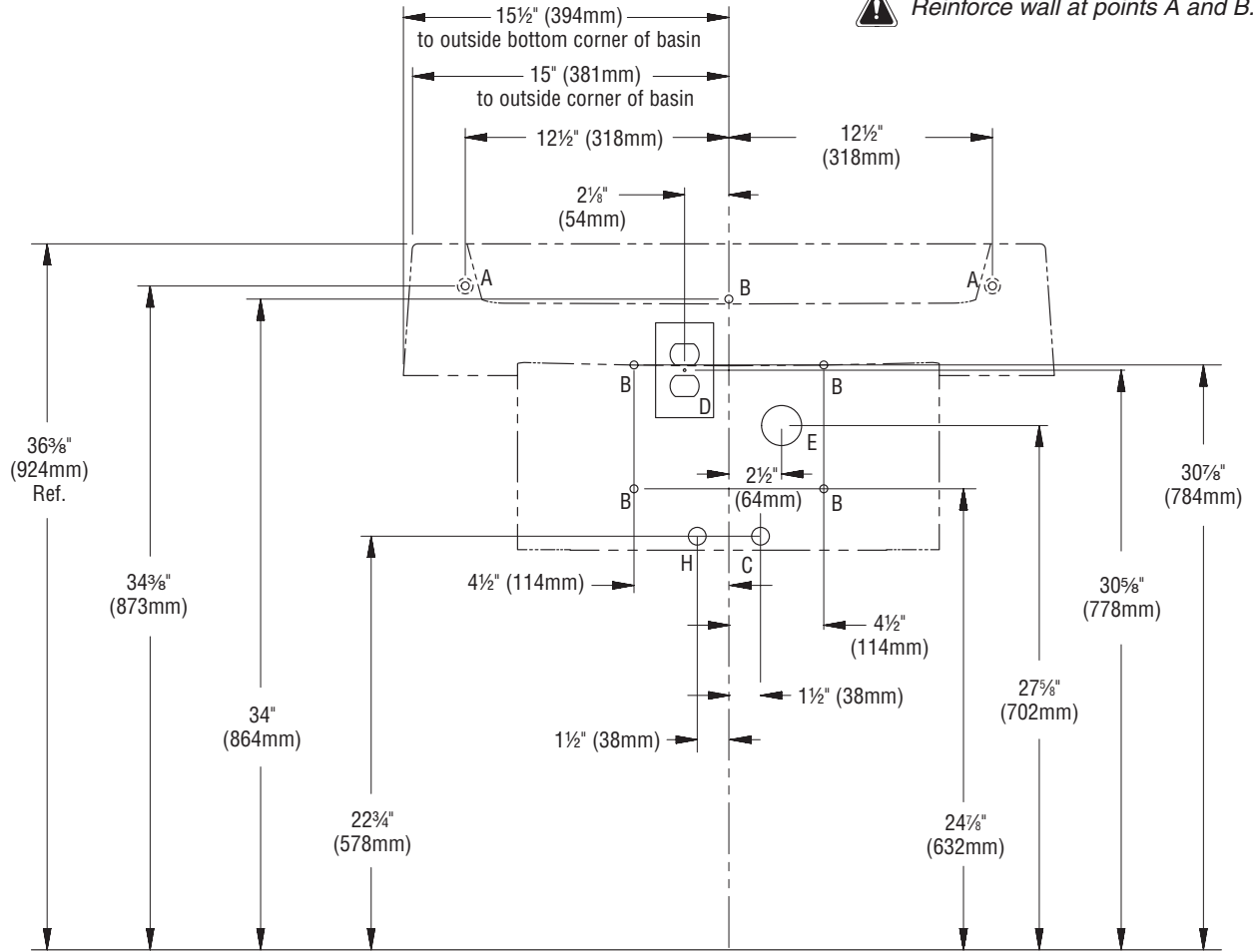


LVGD1 Verge® Wash Basin – LVG-Series

Rough-Ins for LVGD1 Verge Wash Basin

Standard rough-in shown.

Reinforce wall at points A and B.



CODE	DESCRIPTION	QTY.
A	3/8" Lav Deck Bowl Anchors with a Minimum Pull-Out Force of 1,000 lbs. (reinforce walls at anchor points)	2
B	3/8" Lav Deck Frame Anchors with a Minimum Pull-Out Force of 1,000 lbs. (reinforce walls at anchor points)	5
H, C	1/2" Hot/Cold Supplies, Stub-Out 2" From Wall	1
D	110v GFI Protected Electrical Outlet (AC faucet and soap only)	1
E	1 1/2" NPT Drain, Stub-Out 2" from Wall	1
RIM HEIGHT	VERTICAL HEIGHT ADJUSTMENTS FOR CODES A-E and H	FIXTURE STYLE
33 1/2"	None	Standard Height
31 1/2"	Subtract 2"	TAS, Grades 6 through 8 or 9
29 1/2"	Subtract 4"	TAS, Pre-K through Grades 5 or 6
30 1/2"	Subtract 3"	Juvenile Height