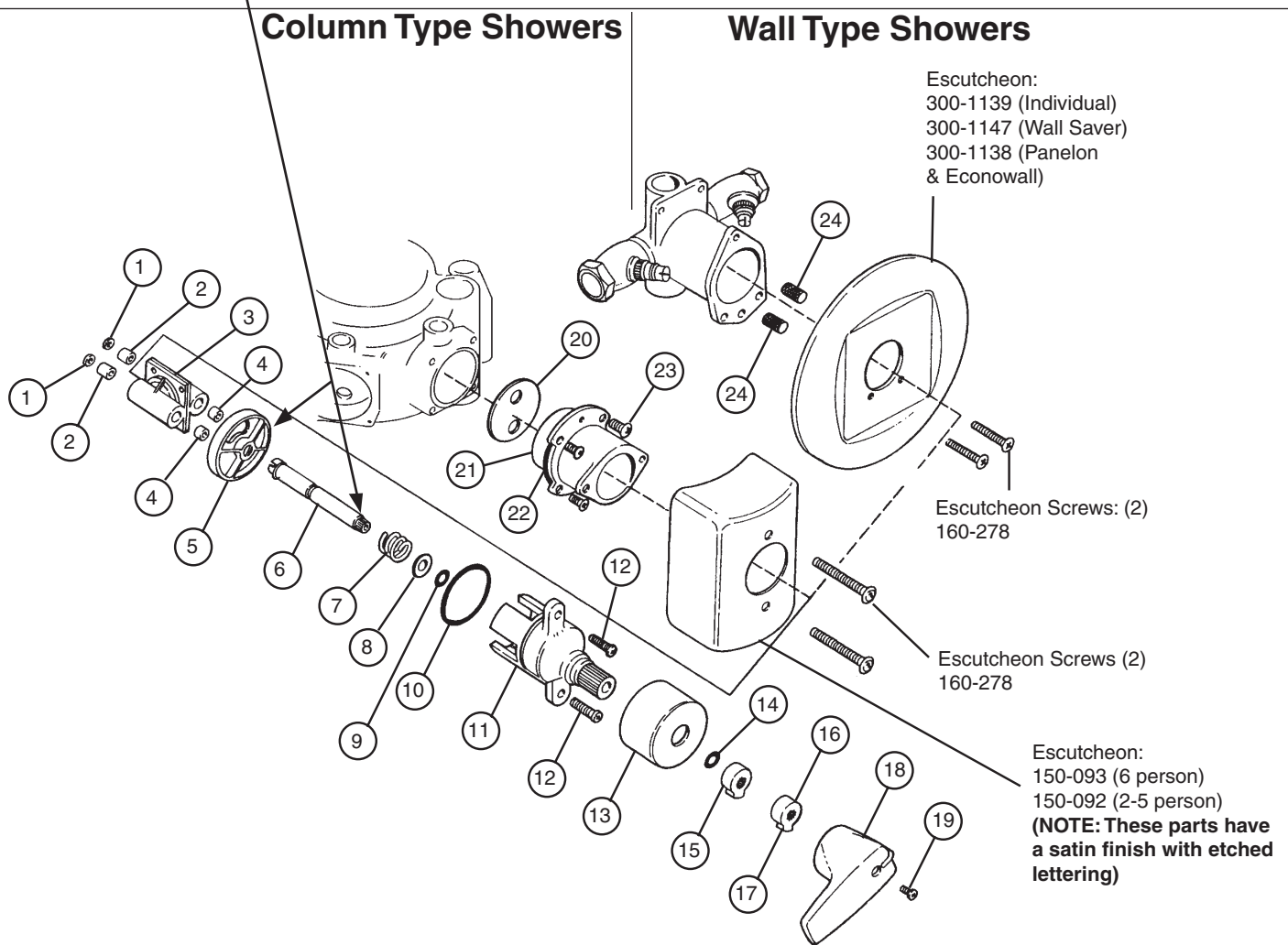


Equa-Flo Shower Valve, Version Prior to March, 2002

For Individual, Econo-Walls, Wall Savers, Panelons and Column Showers

NOTE: Should the rotor come off the stem, align groove in outer rim of rotor with groove in spline on the stem when reassembling. Also, if you should wish to reverse hot for cold and cold for hot due to install error, or back to back installation, you can reassemble rotor 180° against stem and valve will work properly.



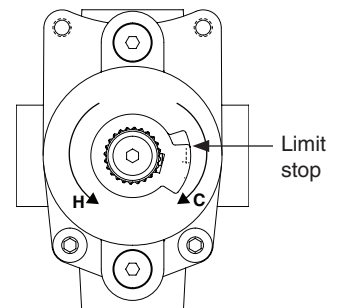
Valves are equipped with a temperature limit stop which can be used to limit the temperature of tempered water discharged. To adjust the temperature, remove the handle and loosen the set screw. remove the limit stop and reposition to desired setting. Turn the limit stop counterclockwise for a hotter setting and clockwise for a cooler setting.

Note: When replacing the double face seals, lubricate the top face with a small amount of lubricant reassembling.

When assembling cap into valve body, use lubricant on 269-031 O-ring to prevent twisting of O-ring.

If lubricant is not available, a slight film of soap may be used.

NOTE: This page is for Equa-Flo Shower Valve PRIOR to March, 2002



Equa-Flo Shower Valve Parts List, Version Prior to March, 2002 (Figure 10)

Item	Part No.	Description	Assembly	Cartridge Assembly S67-359	Stem Assembly S21-065	Gasket Repair Kit S65-073
			Qty			
1	125-055	Square Ring (In Rear)		2		2
2	S55-009	Sleeve & Flapper (Ear must fit into groove)		2		
3	118-145	Cartridge Housing		1		
4	125-081	Double-face Seal		2		2
5	120-042	Rotor	1			
6	120-133	Stem			1	
7	135-018	Spring			1	
8	125-053	Washer				
9	125-001BH	O-Ring			1	1
10	269-031	O-Ring				
11	107-280	Cap/Clamp	1			
12	160-142	Screws	2			
13	107-279	Cover	1			
14	125-001CY	O-Ring	1			1
15	144-041	OFF Stop	1			
16	144-033	Hot Limit Stop	1			
17	160-252	Set Screw	1			
18	128-047	Handle	1			
19	160-214	Screw	1			
20	125-001BS	Gasket	1			
21	118-143	Valve Body	1			
22	169-269	Top Seat Gasket	1			
23	169-256	Screws	4			
24	173-015	Screens (Internal)	2			
25	S27-102	Stops (Optional)	2			

Complete Column Valve Replacement for Columns Built Prior to March, 2002:

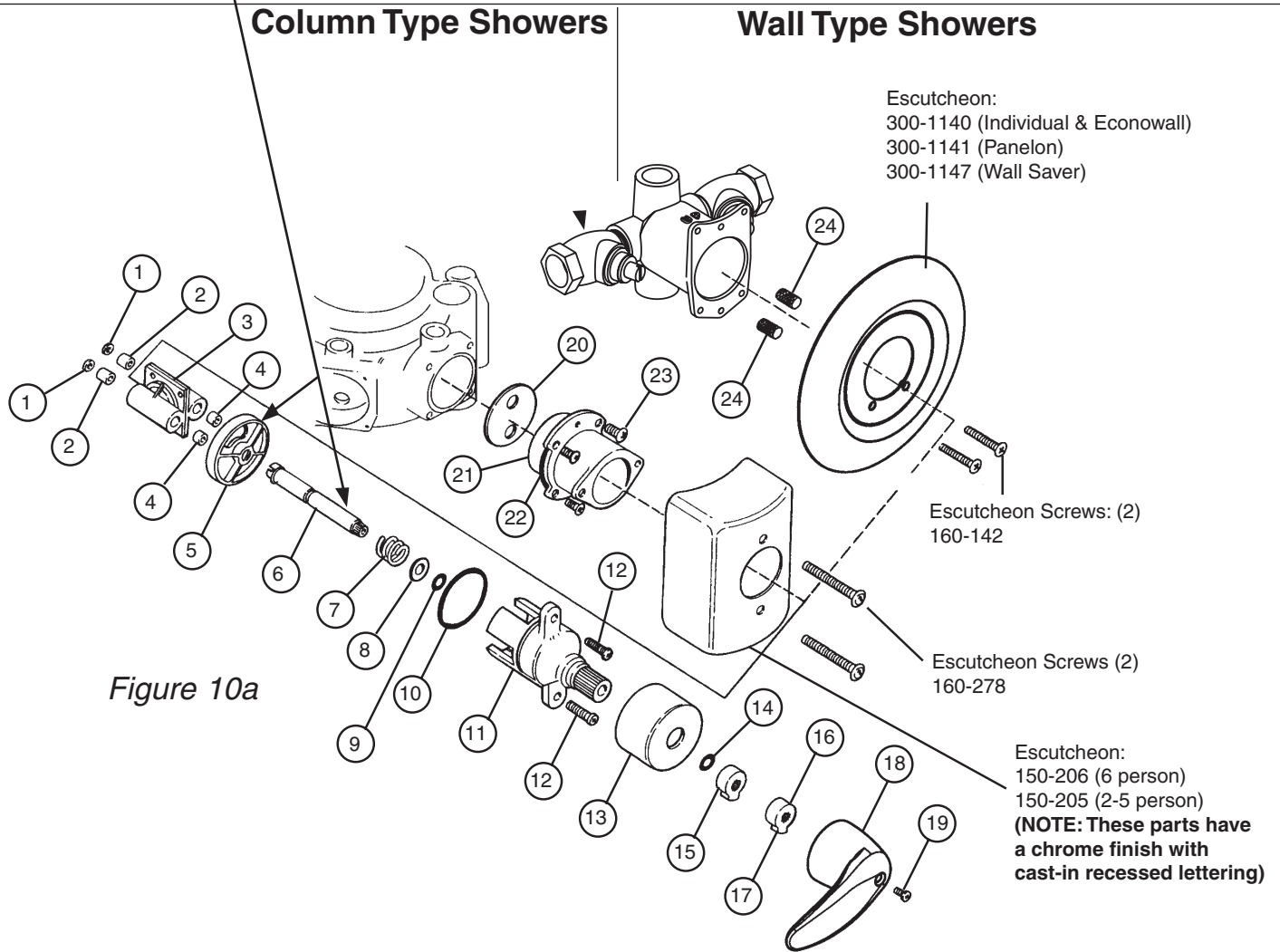
S65-075 for 2-5 Person
S65-076 for 6-Person

*NOTE: This page is for
Equa-Flow Shower Valve
PRIOR to March, 2002*

Equa-Flo Shower Valve, March, 2002 to July, 2004 (Figure 10)

For Individual, Econo-Walls, Wall Savers, Panelons and Column Showers

NOTE: Should the rotor come off the stem, align groove in outer rim of rotor with groove in spine on the stem when reassembling. Also, if you should wish to reverse hot for cold and cold for hot due to install error, or back to back installation, you can reassemble rotor 180° against stem and valve will work properly.



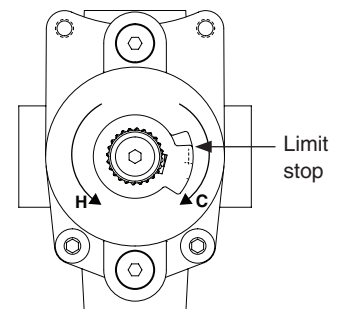
Valves are equipped with a temperature limit stop which can be used to limit the temperature of tempered water discharged. To adjust the temperature, remove the handle and loosen the set screw. remove the limit stop and reposition to desired setting. Turn the limit stop counterclockwise for a hotter setting and clockwise for a cooler setting.

Note: When replacing the double face seals, lubricate the top face with a small amount of lubricant reassembling.

When assembling cap into valve body, use lubricant on 269-031 O-ring to prevent twisting of O-ring.

If lubricant is not available, a slight film of soap may be used.

NOTE: This page is for Equa-Flo Shower Valve March, 2002 to July, 2004



Equa-Flo Shower Valve Parts List, March, 2002 to July, 2004 (Figure 10)

Item	Part No.	Description	Assembly	Cartridge Assembly S67-359	Stem Assembly S21-065	Gasket Repair Kit S65-073
			Qty			
1	125-055	Square Ring (In Rear)		2		2
2	S55-009	Sleeve & Flapper (Ear must fit into groove)		2		
3	118-145	Cartridge Housing		1		
4	125-081	Double-face Seal		2		2
5	120-042	Rotor	1			
6	120-133	Stem			1	
7	135-018	Spring			1	
8	125-053	Washer				
9	125-001BH	O-Ring			1	1
10	269-031	O-Ring				
11	107-280	Cap/Clamp	1			
12	160-142	Screws	2			
13	107-279	Cover	1			
14	125-001CY	O-Ring	1			1
15	144-041	OFF Stop	1			
16	144-033	Hot Limit Stop	1			
17	160-252	Set Screw	1			
18	128-047	Handle	1			
19	160-214	Screw	1			
20	125-001BS	Gasket	1			
21	118-143	Valve Body	1			
22	169-269	Top Seat Gasket	1			
23	169-256	Screws	4			
24	173-015	Screens (Internal)	2			
25	S27-102	Stops (Optional)	2			

Complete Column Valve Replacement for Columns Built March, 2002 to July, 2004:

S65-235 for 2-5 Person
S65-236 for 6-Person

*NOTE: This page is for
Equa-Flow Shower Valve
March, 2002 to July, 2004*

Adjusting the Equa-Flo™ Valve

NOTE: The maximum temperature limit stop has been preset by the factory for maximum temperature operation. For temperatures other than the maximum, the stop may be repositioned as shown below.

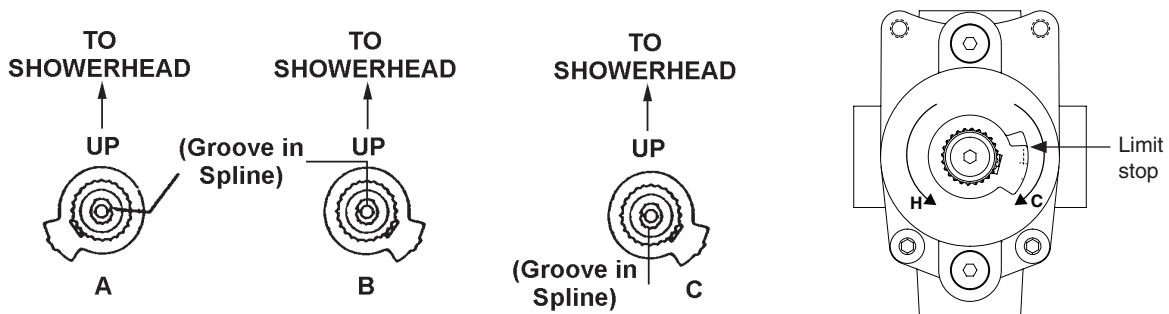


IMPORTANT: Failure to adjust the maximum temperature limit stop to a safe shower temperature, no more than 105°F, could result in the user being scalded.

1. Loosen the setscrew in the bottom of the hot limit stop.
2. Remove the outer most stop and reposition to the desired temperature setting.

NOTE: Do not remove the inner off-stop.

- A. Position the Temperature Limit Stops as shown for Individual Wall Showers.
- B. Position the Temperature Limit Stops as shown for Wall-Savers, Panelons and Econo-Walls.
- C. Position the Temperature Limit Stops as shown for Column Showers.



3. If the desired position falls between adjacent positions on the spline, flip the stop over so that the other face shows. This shifts the stop position by 1/2 spline.

FOR BACK-TO-BACK INSTALLATION: On the valve that is installed "backwards," rotate the stem 180° so that the "groove in spline" is opposite that shown for tub and shower valves.

