



# Shower Valve Equa-Flo EFT1 Pressure Balancing Valve

- Digital Temperature Display
- Durable brass valve body and cap
- Durable stainless steel balancing piston
- Reliable ceramic disc cartridge
- Tamper-resistant brass limit stops
- Factory assembled and tested
- ASSE 1016 Certified
- Easy installation and serviceability
- Reversible for back-to-back installation
- Checkstops on inlets

## Specification

Digital temperature display toggles between Fahrenheit and Celsius (powered by AAA alkaline batteries.) Pressure balancing valves automatically compensate for changes in supply pressure keeping shower temperature constant. This anti-scald protection feature makes these the best choice for many school, hospital, and nursing home applications.

## Operation

Control handle rotates from off through cold to hot. Volume is constant. Outlet temperature is displayed on LCD screen in either Fahrenheit or Celsius. The ceramic disc cartridge has no wearing parts providing reliable drip free performance.

Water temperature is maintained by a stainless steel piston which instantly detects changes in supply pressures and automatically adjusts discharge ports keeping shower temperature constant to within 2° of desired setting. Maximum delivery temperature is controlled by an adjustable limit stop which restricts the amount of hot water entering the valve. Should either hot or cold supply fail, the valve will shut off so as not to produce a spray or significant flow through showerhead.

## Valve Specifications

### Maximum Operating Pressure

125 PSI (860 kPa)

### Connections

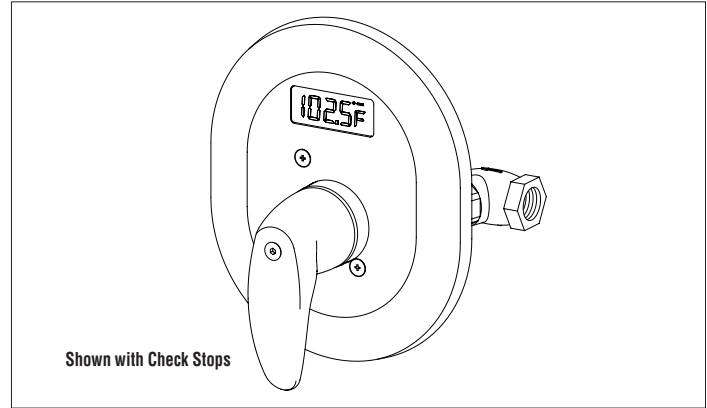
1/2" NPT

### Flow Capacities – GPM

Model	Pressure Drop – PSI						
	5	10	15	20	30	45	60
S59-1000T1 Suffix EFT1	2.0	2.5	3.0	3.5	4.0	5.0	6.0

### Flow Capacities – L/Min

Model	Pressure Drop – Bar						
	.5	1.0	1.5	2.0	2.5	3.0	4.0
S59-1000T1 Suffix EFT1	8.0	11.0	13.5	15.5	17.5	19.0	22.0



Dimensions

(mm)

