



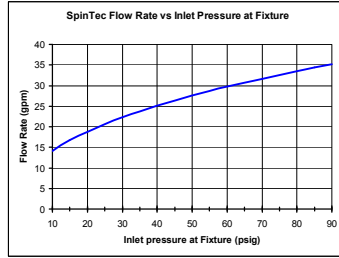
# Enclosed Indoor Shower with Electric Tankless Water Heater

- 100% Fiberglass Surround Construction – Exterior Includes UV Inhibitor Gel-Coat
- Flame-Retardant Resin with a Class 1 Flame Spread Index per ASTM E-84
- Multi-directional drain system
- Skylights Built Into the Shelter Allow 360 Degrees of Natural Light Into the Enclosure
- Combination Drench Shower, Eyewash, Eye/Face Wash and Drench Hose Fixtures are UL Certified to ANSI/ISEA Z358.1
- Designed to National Electric Code

## Standard Equipment

### Safety Shower, Eyewash and Drench Hose

Standard showerhead is 3.1" (78.7mm) diameter highly visible yellow impact-resistant plastic. Patented SpinTec™ drench showerhead features integral 22 GPM (83.3 LPM) flow control, conserves water and provides equal distribution throughout the spray pattern providing a more effective wash down. Shower is activated by a stainless steel pull rod.



Bradley's drench shower and eyewash ship with corrosion-resistant BradTect® yellow coating, providing additional protection from nature's elements (an optional stainless steel drench shower and eye/face wash is available). Optional accessories include a freeze protection valve that begins to bleed cold water at 40°F (5°C) and is fully open at 35°F (2°C) and a scald protection valve that begins to bleed hot water at 95°F (35°C) and is fully open at 100°F (38°C).

The Halo eyewash system offers a high performance rinsing platform that provides rapid relief to an individual's eyes that have been injured by chemicals or particulates. The eyewash includes an integral 5.1 GPM (19.2 L) flow control, providing water at a safe velocity while maintaining its effectiveness (exceeds minimum water flow of 0.4 GPM (1.5 L) at 30 PSI (2.0 bar)). The eyewash is protected by flip open dust covers that open when the product is activated. Safe, steady water flow under varying water supply conditions from 30–90 PSI (2.0–6.1 bar) is assured by integral flow control in the sprayhead assembly. Halo™ is covered by one or more of the following patents: 9,700,484; 9,314,398; D662220; D673298; D662605; D685920; D662219; and D671228. Other patents pending.

### Inlet and Water Supply Pressure

Water inlet has a 1-1/4" NPT union connection. Tankless water heater must be supplied with a pressure of 45-90 psi (3.1 - 6.1 bar).

## Enclosure Construction

### External

100% FRP (fiberglass reinforced plastic) roof, walls and floor sections coated with a UV-inhibiting gel-coat to protect the enclosure from degradation due to prolonged exposure to sunlight, harsh chemicals or salt-laden marine environments.

The special flame-retardant polyester resin has a Class 1 Flame Spread Index per ASTM E-84 and a Smoke Developed Index of more than 450.

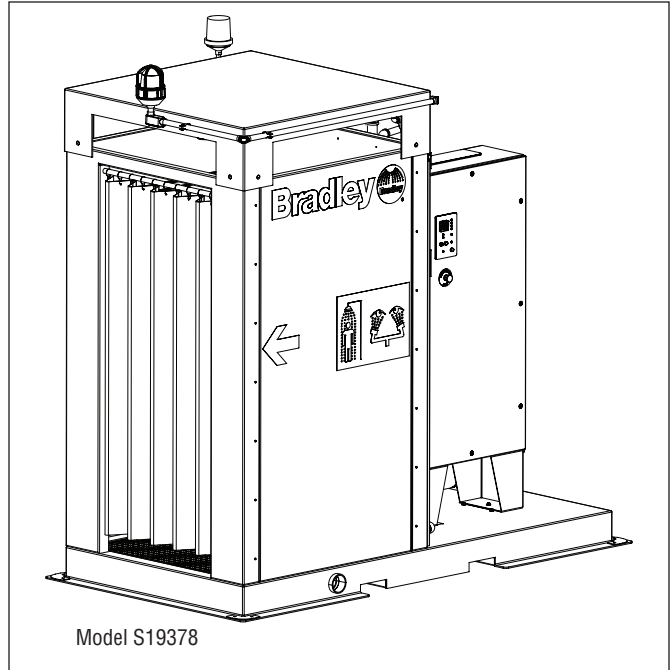
Exterior of shelter is safety yellow (RAL-1018), and includes safety decals directing the injured party to the entrance of the shower.

The FRP base includes integral forklift slots for added protection when moving the shelter with a fork truck.

A vinyl curtain over the entrance of the shelter is included for additional privacy.

### Internal

The shower area includes a sloped drain below a removable fiberglass floor grate. Three drain ports are provided (left, center, right) and can be connected to external drain plumbing in any configuration using a 3" NPT fitting in any port.



## Code Compliance and Certifications



UL Classified to ANSI/ISEA Z358.1



UL Listed Industrial Control Panel(s) for US and Canada

Designed to the National Electrical Code (NEC/NFPA 70)



**Bradley Enclosed Safety Showers are non-cancelable, non-refundable and non-returnable.**



# Enclosed Indoor Shower with Electric Tankless Water Heater

## Electrical/Signaling System

### Signaling System

A signaling system with double pole double throw flow switch activates the exterior warning light and horn. A push button is provided to silence the horn after the shower has been activated. A second set of dry contacts allow the user to provide alarm connections to a remote control room in the facility.

### Electrical System

Optional lighting includes an exterior over-door beacon light and an internal ceiling light to illuminate the interior of the enclosure.

This system requires two electric power hookups, one for the tankless water heater and the other for the controls, air heating and optional booster pump. The power lines must be located and drilled into the tankless water heater enclosure during final installation by the owner.

### Pressure Booster

A pressure booster pump is available. Evaluate site conditions prior to selecting this option. The pump is powered by the same electrical supply as the rest of the system. An automatic on/off pressure switch is included with the pump. All controls necessary to automatically start the pump are included. The booster pump requires an inlet water pressure between 20 and 60 psi (1.3 and 4.1 bar). The pump will begin to function when the pressure falls below 45 psi (3.1 bar).

- Separate 3 phase power supply is required for the Electric Tankless Water Heater.
- Shelter and heater each include disconnect switch.
- Grounding plate included.

## Electric Tankless Water Heater

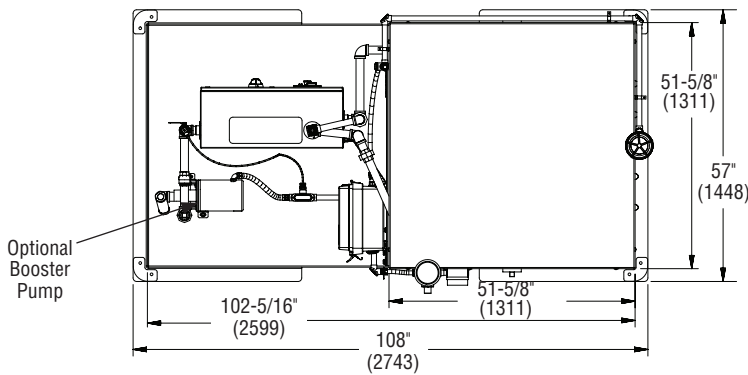
System warms water to deliver ANSI/ISEA Z358.1 required tepid water, defined as 60°–100°F (15.5–37.7°C) at 30–90 psi. Heater includes redundant safety features: internal fusing, digital temperature control, large diameter copper and brass brazed heat exchanger, Incoloy 800 sheathed heating elements, an externally mounted emergency stop button and a NEMA 4X enclosure.

Control system provides a constant water temperature within ± 1°F (.56°C). System responds immediately and precisely to changes in flow rate. Control system also provides redundant thermal protection (cascading from 80°F, electronic control limit, to 95°F, automatic independent limit controller, and ultimate 100°F, manual resettable thermal shutdown). Latent heat purge with independent temperature limit controllers and solenoid valve dump continually monitors the heat exchanger temperature even during idle shutdown. Maximized internal passageways reduce the pressure drop across the system.

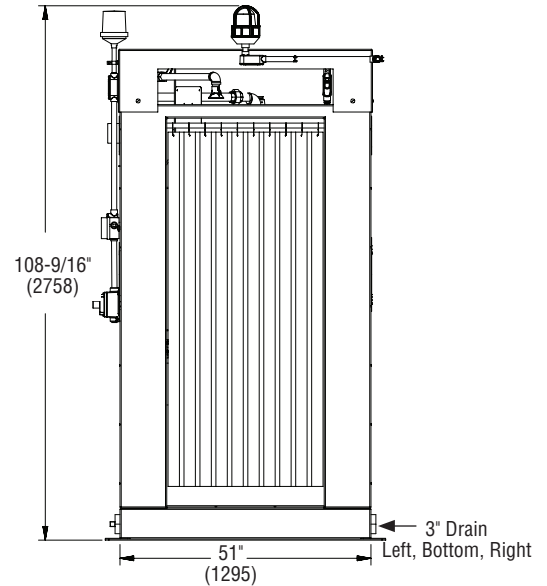
The Class I Division 2 unit uses a purge and pressurize system that requires a 1/4" NPT, clean, dry air supply to provide pressure to the electric tankless water heater cabinet.

(mm)

TOP VIEW



FRONT VIEW



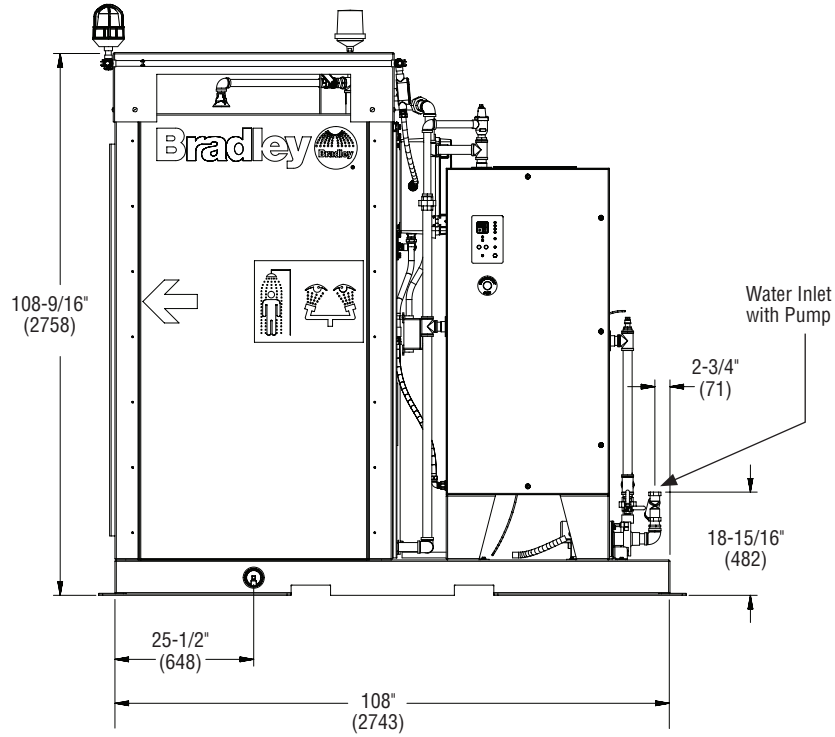
- Bradley Enclosed Safety Showers are non-cancelable, non-refundable and non-returnable.



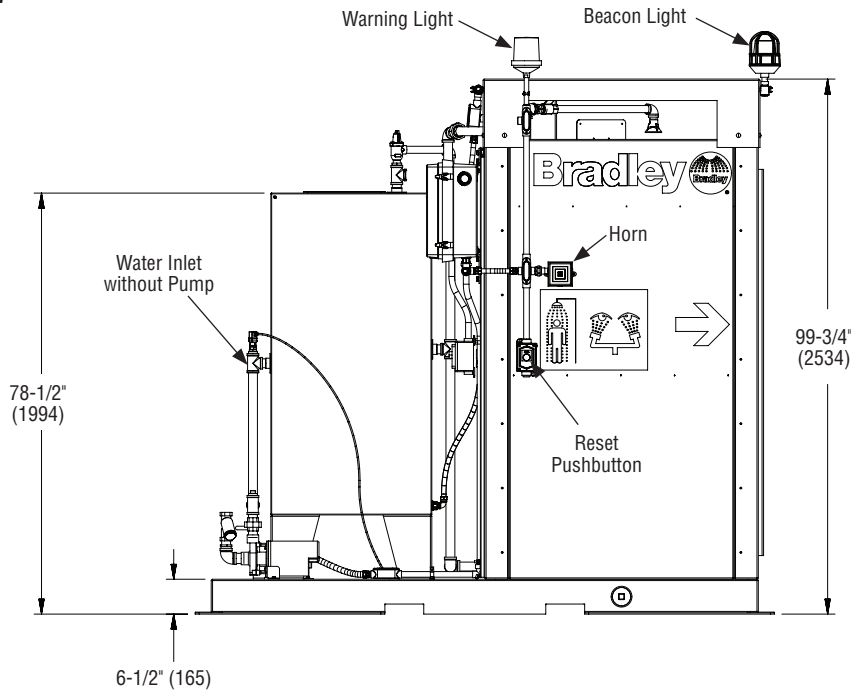
S19378

Enclosed Indoor Shower with Electric Tankless Water Heater

RIGHT SIDE VIEW



Left SIDE VIEW





Enclosed Indoor Shower with Electric Tankless Water Heater

Model

S19378 Enclosed Indoor Safety Shower with Electric Tankless Water Heater



Bradley Enclosed Safety Showers are non-cancelable, non-refundable and non-returnable.

Selections (must select one from each category)

Electrical Class:

- GA General Area Classification
D2 Class I, Division 2, Groups C, D; T-Code: T3A

Supply Voltage:

- V2 208V 60Hz Single Phase
V4 240V 60Hz Single Phase

Keltech Water Heater (Separate 3 phase power supply required):

- T1 480V 72kW — 87 Amps Δ18°F (10°C)
T2 480V 108kW — 130 Amps Δ27°F (15°C)
T3 480V 126kW — 152 Amps Δ31°F (17°C)
T4 480V 144kW — 174 Amps Δ36°F (20°C)
T5 600V 108kW — 104 Amps Δ27°F (15°C)
T6 600V 126kW — 121 Amps Δ31°F (17°C)
T7 600V 144kW — 139 Amps Δ36°F (20°C)

Safety Shower Configuration:

- EW Halo eyewash and Spintec drench shower
FW Halo eye/face wash and Spintec drench shower
SS All stainless steel Halo eye/face wash, Spintec drench shower

Protection:

- FP Freeze Protection Valve
SP Scald Protection Valve
FS Freeze and Scald Protection Valves
0 None (standard)

Signaling System:

- AS Standard Audible & Visual Alarm
0 None (standard)

Lighting:

- 0 None (standard)
LS Green Exterior Beacon Light and White Interior Light

Pressure Booster Pump:

- PB Pressure Booster
0 None (standard)

Custom Adders (may impact electrical rating):

Three horizontal lines for custom adders.

Job Name:

Location:

Revision Date:

Box for Job Name, Location, and Revision Date.



A signed submittal drawing is required. This submittal drawing will be provided upon receipt of order.

Must Be Filled Out with Purchase Order

This is to acknowledge that the "End User" identified below has marked the boxes in the selection guide above to design an enclosure that will meet its site and specification requirements, and wishes to have Bradley custom-build that enclosure to its order, on the understanding that the order may not be canceled, the enclosure may not be returned and that no refund of any portion of the purchase price for the enclosure will be made (except under Bradley's warranty).

name of "End User"

by

title

date

name of "Distributor"

by

title

date