



# Site Assessment Form

## Enclosed Safety Showers

The U.S. Code of Federal Regulations 29CFR 1910.151 states: "Where the eyes or body of any person may be exposed to injurious or corrosive materials, suitable facilities for quick drenching or flushing of the eyes and body shall be provided within the work area for immediate emergency use."

The American National Standards Institute (ANSI) establishes standards for minimum performance and use requirements for eyewash and shower equipment. The ANSI/ISEA Z358.1 standard provides detailed guidelines to which OSHA, State OSHA and other regulatory agencies commonly refer.

### Enclosed Indoor Units

- Combination drench shower, eyewash, eye/face wash and drench hose fixtures are UL certified to ANSI/ISEA Z358.1.
- 100% fiberglass surround construction
- Exterior includes UV inhibitor gel-coat
- Extruded channels for base lift capability
- 360 degrees of natural light into the enclosure

#### S19372 - Enclosed Indoor Safety Shower with Tepid Water Inlet

Unit includes inlet for tepid water. Suitable for indoor applications where a tepid water supply is available.

#### S19374 - Enclosed Indoor Safety Shower with Hot Water Tank

Unit includes 119 gallon hot water tank and thermostatic mixing valve. Suitable for indoor applications where only a cold water supply line is available.

#### S19378 - Enclosed Indoor Safety Shower with Electric Tankless Water Heater

Unit includes electric tankless water heater. Suitable for indoor applications where only a cold water supply line is available and instant water heating is required for repeated or long-running shower events.

### Enclosed Outdoor Units

- Combination drench shower, eyewash, eye/face wash and drench hose fixtures are UL certified to ANSI/ISEA Z358.1.
- 100% Fiberglass surround construction
- Exterior includes UV inhibitor gel-coat
- Insulation rating R-8 (ASTM C518)
- Top and base lift capabilities

#### S19382 - Enclosed Outdoor Safety Shower with Tepid Water Inlet

Unit includes inlet for tepid water. Suitable for outdoor applications where a tepid water supply is available.

#### S19384 - Enclosed Outdoor Safety Shower with Hot Water Tank

Unit includes 119 gallon hot water tank and thermostatic mixing valve. Suitable for outdoor applications where only a cold water supply line is available.

#### S19387 - Self-Contained Enclosed Outdoor Safety Shower

Unit includes 540 gallon supply tank to deliver a full 15 minute flush of tepid water. Suitable for outdoor applications where no water supply is available.

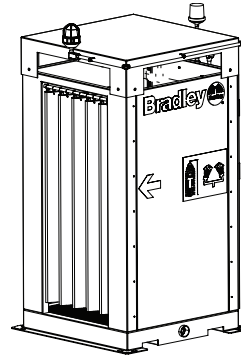
#### S19388 - Enclosed Outdoor Safety Shower with Electric Tankless Water Heater

Unit includes electric tankless water heater. Suitable for outdoor applications where only a cold water supply line is available and instant water heating is required for repeated or long-running shower events.

Please answer the questions on the following pages so that we can better determine which enclosed safety shower will work best for your application.

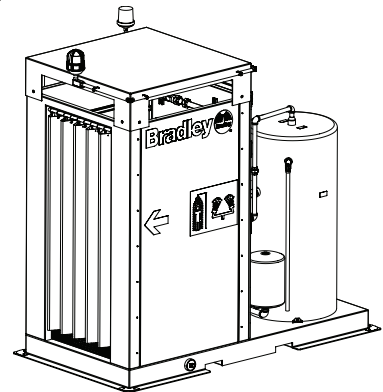


**Bradley Enclosed Safety Showers are non-cancelable, non-refundable and non-returnable.**



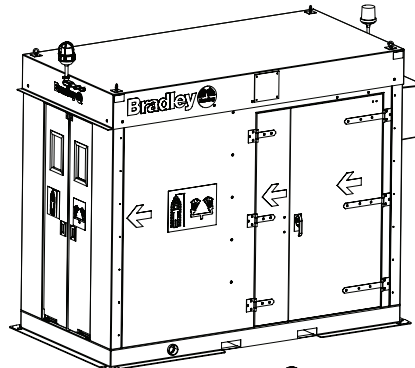
#### S19372

Enclosed Indoor Safety Shower with Tepid Water Inlet



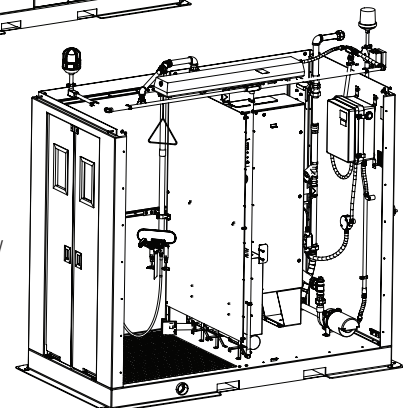
#### S19374

Enclosed Indoor Safety Shower with Hot Water Tank



#### S19387

Self-Contained Enclosed Outdoor Safety Shower



#### S19388

Enclosed Outdoor Safety Shower with Electric Tankless Water Heater

© 2017 Bradley

P.O. Box 309, Menomonee Falls, WI 53052-0309

800 BRADLEY (800 272 3539) +1 262 251 6000

bradleycorp.com



# Site Assessment Form

## Enclosed Safety Showers

Please answer the following questions so that we can better determine which enclosed safety shower will work best for your application.

**1. Where will the enclosed safety shower be located?**

- Indoors                       Outdoors

**2. Does your facility currently contain a level concrete slab to hold the enclosed safety shower?**

- Yes                               No

*NOTE: All enclosures are required to be installed on a concrete slab with a compressive strength of 6000 psi or greater.*

**3. Do you have a cold water supply line available?**

- Yes                               No, if no skip to question 5

**4. What is the coldest water temperature your site will experience at any point over the course of a year?**

- \_\_\_\_\_ °F or °C

**5. Do you need Bradley's help to deliver tepid water to the enclosed safety shower?**

- Yes                               No, if no skip to question 7

*NOTE: ANSI/ISEA Z358.1 defines tepid as "A flushing fluid temperature conducive to promoting a minimum 15 minute irrigation period. A sustainable range is 60° - 100° F (16° - 38° C).*

**6. To transform your cold water into tepid water, select the type of tempering system that interests you.**

- Electric Tankless Heater (480 or 600 VAC)       Electric Hot Water Tank (208, 240 or 480 VAC)       Other: \_\_\_\_\_

**7. What is your incoming water pressure range (psi)?**

- \_\_\_\_\_ psi to \_\_\_\_\_ psi

*NOTE: If the available pressure supply to the unit is below 45 psi, you may need a pressure booster. Check system requirements on the technical data sheet.*

**8. Which electrical class is required?**

- General Area                       Class I Division 2                       Class I Division 1                       Other: \_\_\_\_\_

*NOTE: Question 8 is applicable to all outdoor enclosures. It is only applicable to indoor enclosures with electrical options.*

*NOTE: For hazardous locations, also determine the Group and T-Code requirements of the site that must be met by the selected safety shower.*

**9. What is the ambient temperature range considering all environmental conditions?**

- \_\_\_\_\_ °F or °C to \_\_\_\_\_ °F or °C

**10. For indoor units ONLY, check all desired options:**

- No electrical                       Signal System/Strobe                       Interior/Exterior Light



# Site Assessment Form

## Enclosed Safety Showers

11. Please list all potential hazards present in your facility: \_\_\_\_\_

\_\_\_\_\_  
\_\_\_\_\_

12. Are there other unique site conditions to consider: \_\_\_\_\_

\_\_\_\_\_  
\_\_\_\_\_

Name: \_\_\_\_\_

Title: \_\_\_\_\_

Business: \_\_\_\_\_

Address: \_\_\_\_\_

Phone #: \_\_\_\_\_

E-mail: \_\_\_\_\_

Distributor of Choice: \_\_\_\_\_

Distributor Contact: \_\_\_\_\_

*For additional information regarding Enclosed Safety Showers, please visit our website at [bradleycorp.com](http://bradleycorp.com)*