



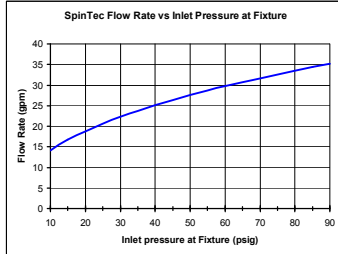
Enclosed Outdoor Shower with Electric Tankless Water Heater

- 100% Fiberglass Surround Construction – Exterior Includes UV Inhibitor Gel-Coat
- Flame-Retardant Resin with a Class 1 Flame Spread Index per ASTM E-84
- Insulation Factor Protection Rating R-8 (ASTM C518)
- Top & Base Lift Capability
- Combination Drench Shower, Eyewash, Eye/Face Wash and Drench Hose Fixtures are UL Certified to ANSI/ISEA Z358.1
- Designed to National Electric Code

Standard Equipment

Safety Shower, Eyewash and Drench Hose

Standard showerhead is 3.1" (78.7mm) diameter highly visible yellow impact-resistant plastic. Patented SpinTec™ drench showerhead features integral 22 GPM (83.3 LPM) flow control, conserves water and provides equal distribution throughout the spray pattern providing a more effective wash down. Shower is activated by a stainless steel pull rod.



Bradley's drench shower and eyewash ship with corrosion-resistant BradTect® yellow coating, providing additional protection from nature's elements (optional stainless steel drench shower and eye/face wash is available). The drench shower, eyewash and drench hose are equipped with a freeze protection valve that begins to bleed cold water at 40°F (5°C) and is fully open at 35°F (2°C). A scald protection valve is also installed as a standard feature. The scald valve begins to bleed hot water at 95°F (35°C) and is fully open at 100°F (38°C).

The Halo eyewash system offers a high performance rinsing platform that provides rapid relief to an individual's eyes that have been injured by chemicals or particulates. The eyewash includes an integral 5.1 GPM (19.2 L) flow control, providing water at a safe velocity while maintaining its effectiveness (exceeds minimum water flow of 0.4 GPM (1.5 L) at 30 PSI (2.0 bar)). The eyewash is protected by flip open dust covers that open when the product is activated. Safe, steady water flow under varying water supply conditions from 30–90 PSI (2.0-6.1 bar) is assured by integral flow control in the sprayhead assembly. Halo™ is covered by one or more of the following patents: 9,700,484; 9,314,398; D662220; D673298; D662605; D685920; D662219; and D671228. Other patents pending.

Inlet and Water Supply Pressure

Water inlet has a 1-1/4" NPT union connection. Tankless water heater must be supplied with a pressure of 45-90 psi (3.1-6.1 bar)

Enclosure Construction

External

The shelter is constructed from 100% FRP (fiberglass-reinforced plastic) that is laminated and sealed around an insulating core. The FRP is coated with a UV-inhibiting gel coat to protect the roof, walls and base from degradation due to prolonged exposure to sunlight, many harsh chemicals or salt-laden marine environments.

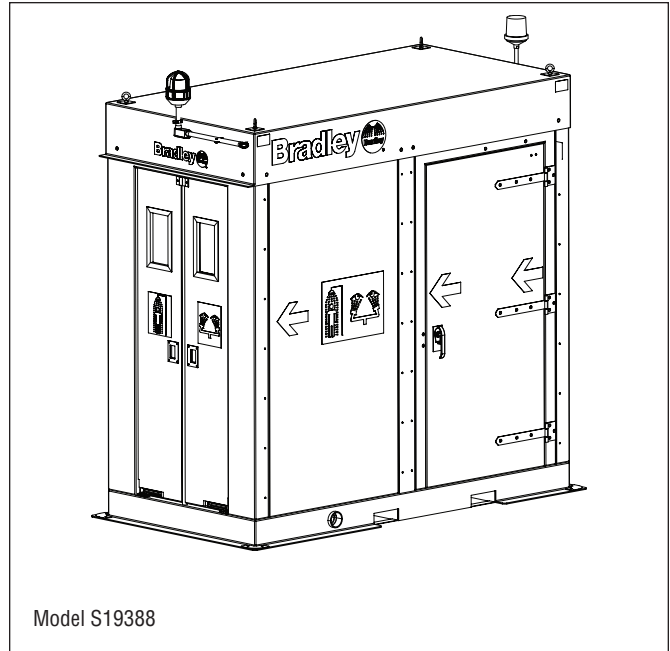
The special polyester resin has a Class 1 Flame Spread Index per ASTM E-84 and a Smoke Developed Index of more than 450.

The corrosion-resistant enclosure helps protect against internal freezing with an insulation factor of R-8.

Shelter is designed to withstand wind exposure of 150 mph for a 3 second gust. A snow load of up to 100 psf is acceptable on the shelter roof.

Exterior of shelter is safety yellow (RAL-1018), and includes safety decals directing the injured party to the weather-resistant double-acting spring hinge doors that include stainless steel handles and framed viewing windows with safety glass. The crash doors include weather strips to maintain the maximum seal against wind, rain and snow.

The FRP base includes integral forklift slots for added protection when moving the shelter with a fork truck. Stainless steel lifting eyes are attached to the roof, permitting crane lifting when placing the unit.



Model S19388

Internal

The shower area includes a sloped drain below a removable fiberglass floor grate. Three drain ports are provided (left, center, right) and can be connected to external drain plumbing in any configuration using a 3" NPT fitting in any port.

A FRP splash panel is located behind the shower fixture allowing separation between the shower and the tepid water supply areas.

Lockable FRP maintenance doors are located on each side near the rear of the shelter allowing easy access to the tepid water system and internal space heating systems. Waterproof flooring in this area allows for wash down and guides water flow to the main shower drain area.

Code Compliance and Certifications



UL Classified to ANSI/ISEA Z358.1



UL Listed Industrial Control Panel(s) for US and Canada

Designed to the National Electrical Code (NEC/NFPA70)



Bradley Enclosed Safety Showers are non-cancelable, non-refundable and non-returnable.



Enclosed Outdoor Shower with Electric Tankless Water Heater

Electrical/Signaling System

Signaling System

A signaling system with double pole double throw flow switch activates the exterior warning light and horn. A push button is provided to silence the horn after the shower has been activated. A second set of dry contacts allow the user to provide alarm connections to a remote control room in the facility.

Electrical System

Standard electrical system components include an exterior over-door beacon light, internal ceiling-mount light, and an internal convection space heater. The convection heater protects the enclosure to -40°F (-40°C).

This system requires two electric power hookups, one for the tankless water heater and the other for the controls, air heating and optional booster pump. The power lines are located and drilled into the safety shower shelter during final installation by the owner.

Pressure Booster

A pressure booster pump is available. Evaluate site conditions prior to selecting this option. The pump is powered by the same electrical supply as the rest of the system. An automatic on/off pressure switch is included with the pump. All controls necessary to automatically start the pump are included. The booster pump requires an inlet water pressure between 20 and 60 psi. Pump will begin to function when the pressure falls below 45psi.

Electric Tankless Water Heater

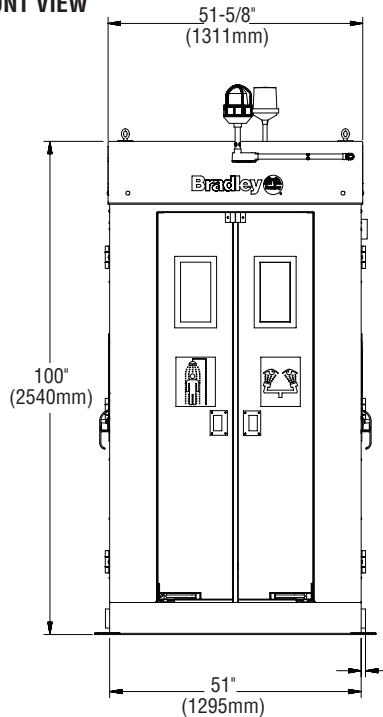
System warms water to deliver ANSI/ISEA Z358.1 required tepid water, defined as 60°–100°F (15.5–37.7°C) at 30–90 psi. Heater includes redundant safety features: internal fusing, digital temperature control, large diameter copper and brass brazed heat exchanger, Incoloy 800 sheathed heating elements, an externally mounted emergency stop button and NEMA 4X enclosures.

Control system provides a constant water temperature within +/- 1°F (.56°C). System responds immediately and precisely to changes in flow rate. Control system also provides redundant thermal protection (cascading from 80°F, electronic control, to 90°F, automatic electronic control limit, to 95°F, automatic independent limit controller, and ultimate 100°F, manual resettable thermal shut down). Latent heat purge with independent temperature limit controllers and solenoid valve dump continually monitors the heat exchanger temperature even during idle shut down. Maximized internal passageways reduce the pressure drop across the system.

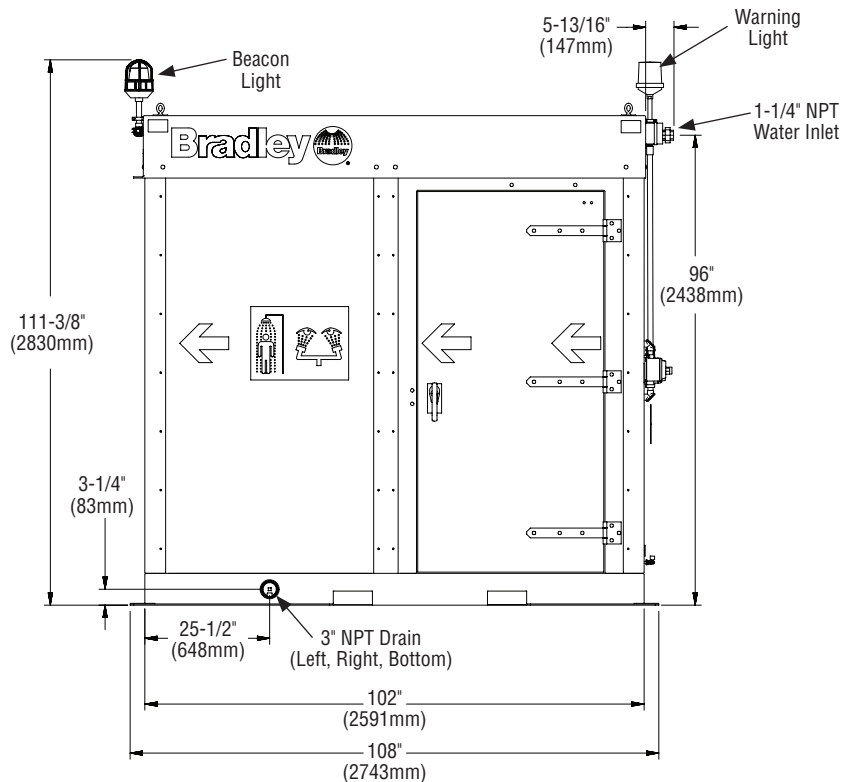
The Class 1 Division 2 unit uses a purge and pressurize system that requires a 1/4" NPT, clean, dry air supply to provide pressure to the electric tankless water heater cabinet.

- Separate 3 phase power supply required for Electric Tankless Water Heater
- Shelter and heater each include disconnect switch.
- Grounding plate included.

FRONT VIEW



RIGHT SIDE VIEW



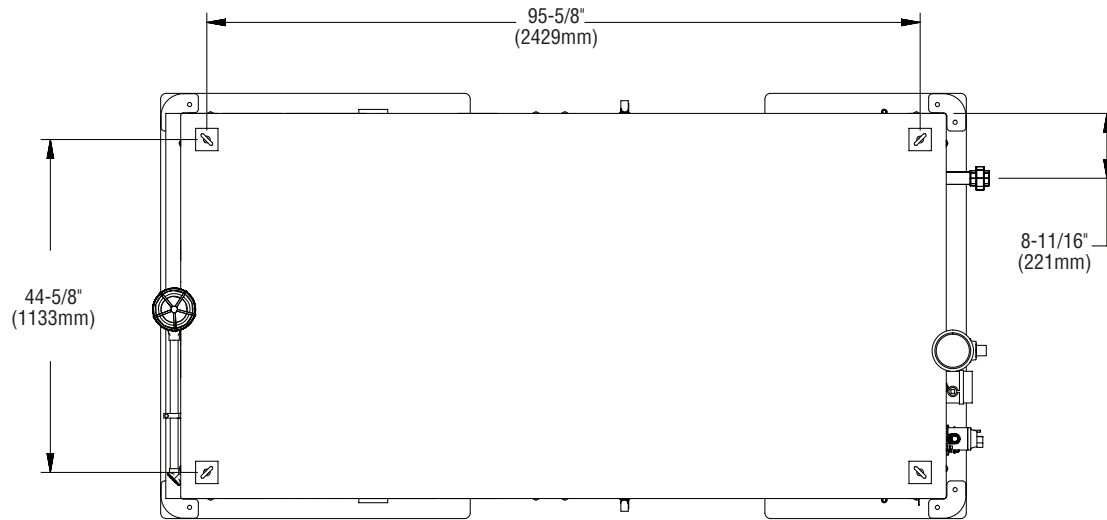
Bradley Enclosed Safety Showers are non-cancelable, non-refundable and non-returnable.



S19388

Enclosed Outdoor Shower with Electric Tankless Water Heater

TOP VIEW



Bradley Enclosed Safety Showers are non-cancelable, non-refundable and non-returnable.



Enclosed Outdoor Shower with Electric Tankless Water Heater

Model

S19388 Enclosed Outdoor Safety Shower with Electric Tankless Water Heater



Bradley Enclosed Safety Showers are non-cancelable, non-refundable and non-returnable.

Selections (must select one from each category)

Electrical Class:

- GA General Area Classification
- D2 Class I, Division 2, Groups C, D; T-Code: T3

Supply Voltage:

- V2 208V 60Hz Single Phase
- V4 240V 60Hz Single Phase

Keltech Water Heater (separate 3 phase power supply required):

- T1 480V 72kW — 87 Amps $\Delta 18^{\circ}\text{F}$ (10°C)
- T2 480V 108kW — 130 Amps $\Delta 27^{\circ}\text{F}$ (15°C)
- T3 480V 126kW — 152 Amps $\Delta 31^{\circ}\text{F}$ (17°C)
- T4 480V 144kW — 174 Amps $\Delta 36^{\circ}\text{F}$ (20°C)
- T5 600V 108kW — 104 Amps $\Delta 27^{\circ}\text{F}$ (15°C)
- T6 600V 126kW — 121 Amps $\Delta 31^{\circ}\text{F}$ (17°C)
- T7 600V 144kW — 139 Amps $\Delta 36^{\circ}\text{F}$ (20°C)

Safety Shower Configuration:

- EW Halo eyewash and Spintec drench shower
- FW Halo eye/face wash and Spintec drench shower
- SS All stainless steel Halo eye/face wash, Spintec drench shower

Pressure Booster Pump:

- PB Pressure Booster
- 0 None (standard)

Custom Adders (may impact electrical rating):

Job Name: Location: Revision Date:



A signed submittal drawing is required. This submittal drawing will be provided upon receipt of order.

Must Be Filled Out with Purchase Order

This is to acknowledge that the "End User" identified below has marked the boxes in the selection guide above to design an enclosure that will meet its site and specification requirements, and wishes to have Bradley custom-build that enclosure to its order, on the understanding that the order may not be canceled, the enclosure may not be returned and that no refund of any portion of the purchase price for the enclosure will be made (except under Bradley's warranty). It is also to acknowledge that the "Distributor" identified below is placing an order with Bradley for the enclosure, on the Terms and Conditions found on Bradley's website, at www.bradleycorp.com, again on the understanding that the order may not be canceled, the enclosure may not be returned and that no refund of any portion of the purchase price for the enclosure will be made (except under Bradley's warranty).

name of "End User" _____

by _____

title _____

date _____

name of "Distributor" _____

by _____

title _____

date _____