



# ELX-3 Express® Lavatory System – ELX-Series

- Seamless one piece lavatory is a cost effective upgrade to traditional fabricated counters with seams
- With fewer plumbing connections, installs faster than traditional counters and sinks
- Easy to clean, linear design minimizes flat areas where water could puddle
- Choose your own faucet
- With or without coved backsplash
- Integral/serviceable overflows
- 1 person access panel install and removal
- ADA and TAS compliant
- Available in a variety of Terreon solid surface colors

## Specifications

Accommodates one, two or three users. These units handle washroom traffic quickly and economically, while providing each user with their own personal space. Robust design meets or exceeds the ANSI load requirements. This system can be mounted at different heights to accommodate hand washing for adults, children, young children and those with disabilities. Search CSI 3-part specification on [bradleycorp.com](http://bradleycorp.com) for CSI spec format.

## Construction

### Bowl

Constructed of Terreon, a densified solid surface material composed of a bio-based resin, or TerreonRE, a densified solid surface material composed of a bio-based resin and preconsumer recycled granules. Terreon and TerreonRE are resistant to chemicals, stains, burns and impact. Surface damage can be easily repaired with every day cleansers or fine grit abrasives. Terreon and TerreonRE are Home Innovation Lab certified to meet CSA B45.5/IAPMO Z124 and GREENGUARD certified as low-emitting materials.

### Support Bracket

Bracket design allows for flexible stud or wall blocking anchor locations. Eliminates the need for in-wall carriers. IAPMO certified to meet or exceed ANSI load requirements.

### Access Panel Enclosure

Unique access panel design pivots on stainless steel brackets which easily allows for one person installation and removal. The access panel is composed of high impact polymer so it will not chip, peel or flake. The fully enclosed vandal resistant design eliminates the need for plumbing wrap.

### Strainer and Drain Assembly

System comes complete with plungable 300 series stainless steel strainers, tailpiece connection and your choice of a combined drain rough-in with one drain connection or individual drain rough-in connections.



### Vandal Resistance

Water supplies, valving, waste assembly and other optional items are completely concealed within the high impact access panel. Terreon bowl material is also highly vandal resistant and repairable.

### Faucets\*

Choose from our standard 0.50 GPM IR-DCG, IR-DCD, CAP-DCR or 0.16 gpc 1200 Series CS faucet, which have been tested for fit and performance. Other compatible faucets include the Aerada 900 series Futura faucet and Aerada 1100 series High Arc faucets. For more information on these faucet options, please enter the model number in the search box at [bradleycorp.com](http://bradleycorp.com). 4" centerset and centershank faucet drillings are available for faucets by others.

### Soap Dispensers\*

Choose from our 6334, 6324-68 or 6315 soap dispensers, which have been tested for fit and performance. For more information on these soap dispenser options, please enter the model number in the search box at [bradleycorp.com](http://bradleycorp.com). Dispensers can be arranged as personal soap (dispensers next to each faucet) or shared soap (dispensers in between faucets). See page 3 for drilling locations. Soap drillings available for soap by others.

\*For primary/elementary school applications, Bradley recommends hands free activation for soap dispensers and faucets in lieu of manual activation to ensure proper reach for kindergarten students.



# ELX-3 Express® Lavatory System – ELX-Series

## Mounting Heights

### Standard Height Mounting

The standard height hand washing stations are to be mounted with a 33½" rim height to comply with ADA/TAS reaches and clearances.

### Juvenile Height Mounting

The juvenile height hand washing stations are designed to be mounted at 30.5" rim height to comply with ADA/TAS reaches and clearances.

### Junior Height Mounting

The junior height option is designed to be mounted at 26" rim height for use by younger children where ADA guidelines are not a concern.

## Code Compliance and Certifications

### ANSI Standard

Terreon and TerreonRE are Home Innovations Lab Certified to meet CSA B45.5/IAPMO Z124.

Meets or exceeds load requirements of Section 5.8.7 of CSA B45.5/IAPMO Z124 and IAPMO IGC 156.

### cUPC Approval

Express Lavatory Systems are Uniform Plumbing Code (UPC), International Plumbing Code (IPC) and National Plumbing Code of Canada approved through the International Association of Plumbing Mechanical Officials (IAPMO). Manufactured in compliance with IGC 156, CSA B45 Series (R08) and ASME A112.18.1/CSA B125.1



This plumbing fixture is designed for hand washing only. It is not intended to dispense water for human consumption through drinking or for preparation of food or beverages.

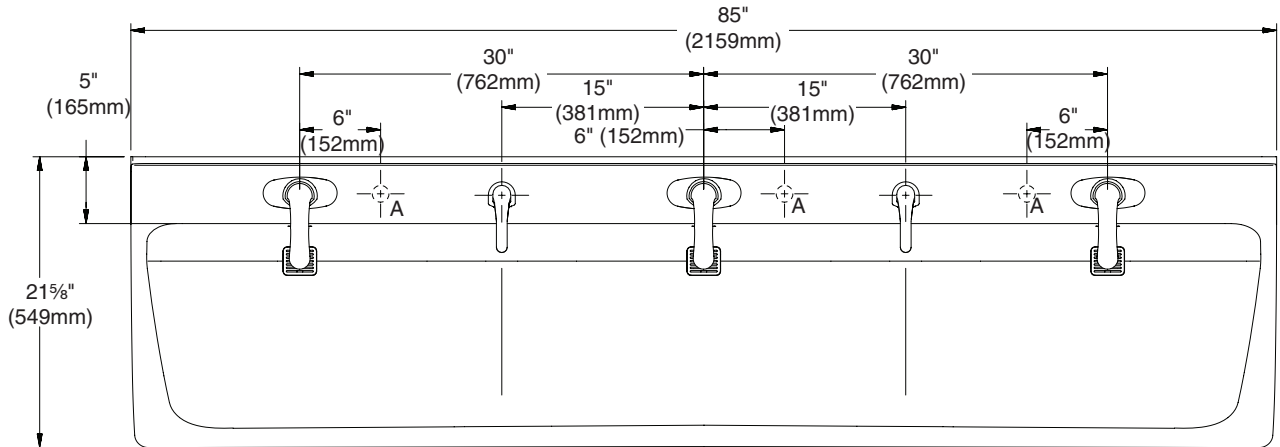


Standard product selections contained within this document are third party **CERTIFIED** to NSF/ANSI 372 meeting the Lead-Free content requirement. Any product configured with custom options will be **COMPLIANT** with NSF/ANSI 372 meeting the Lead-Free content requirement.



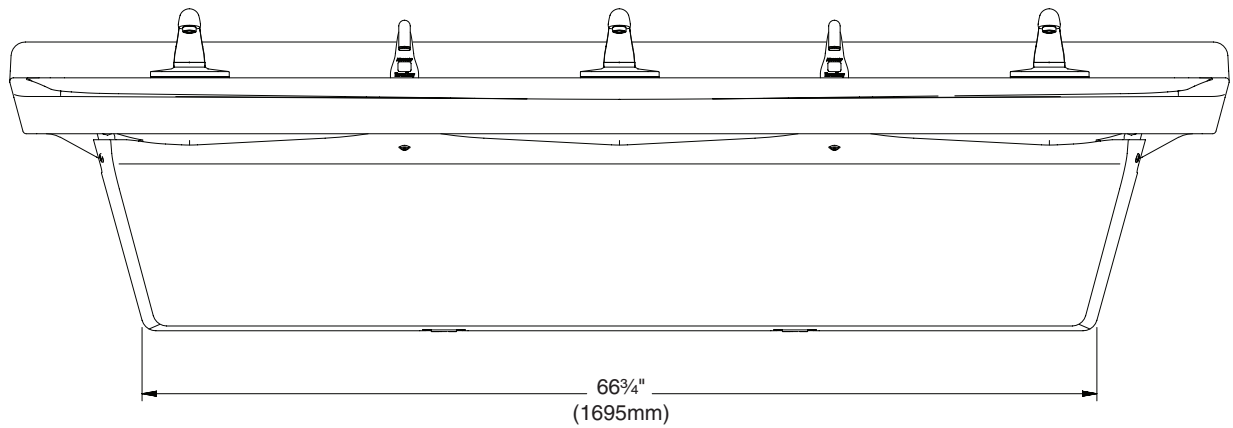
# ELX-3 Express® Lavatory System – ELX-Series

## Top View (shown with shared soap option)



A = personal soap locations

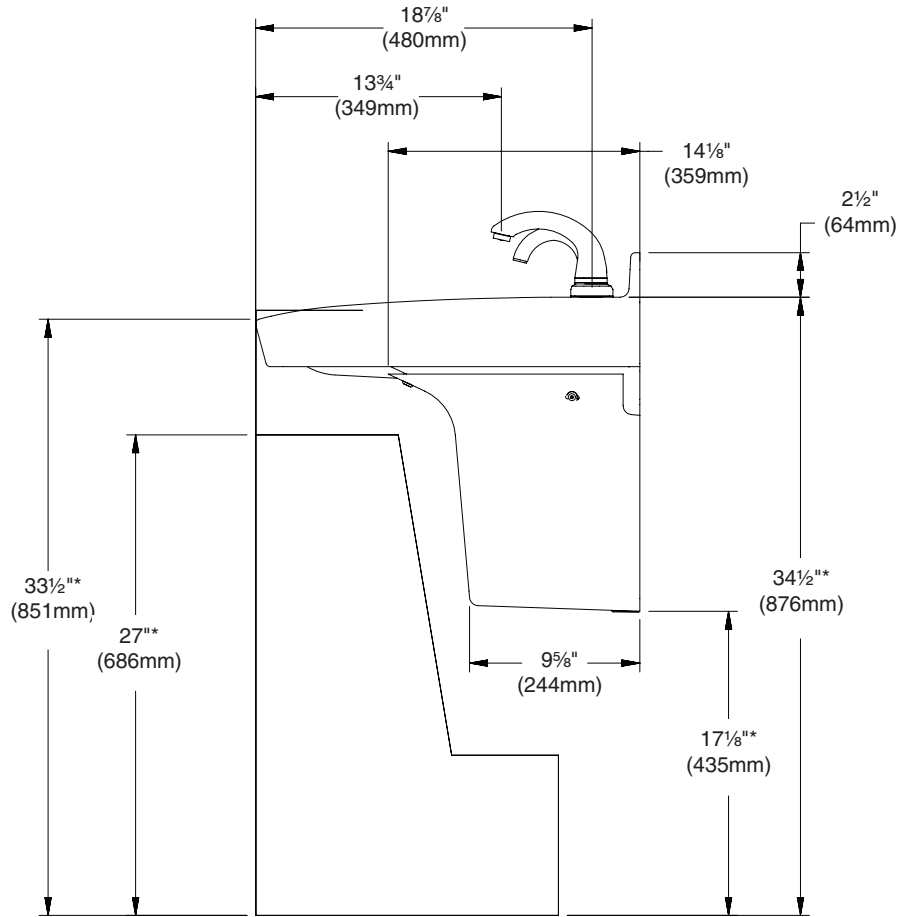
## Front View (shown with covered backplash option)





# ELX-3 Express® Lavatory System – ELX-Series

Side View (shown with S53-315 faucet)



Rim Height	Vertical Height Adjustments	Fixture Style
33 <sup>1</sup> / <sub>2</sub> "	No Adjustment	Standard ADA & TAS
30 <sup>1</sup> / <sub>2</sub> "	*Subtract 3"	Juvenile ADA & TAS
26"	*Subtract 7 <sup>1</sup> / <sub>2</sub> "	Junior



# ELX-3 Express® Lavatory System – ELX-Series

## Structural Rough-Ins

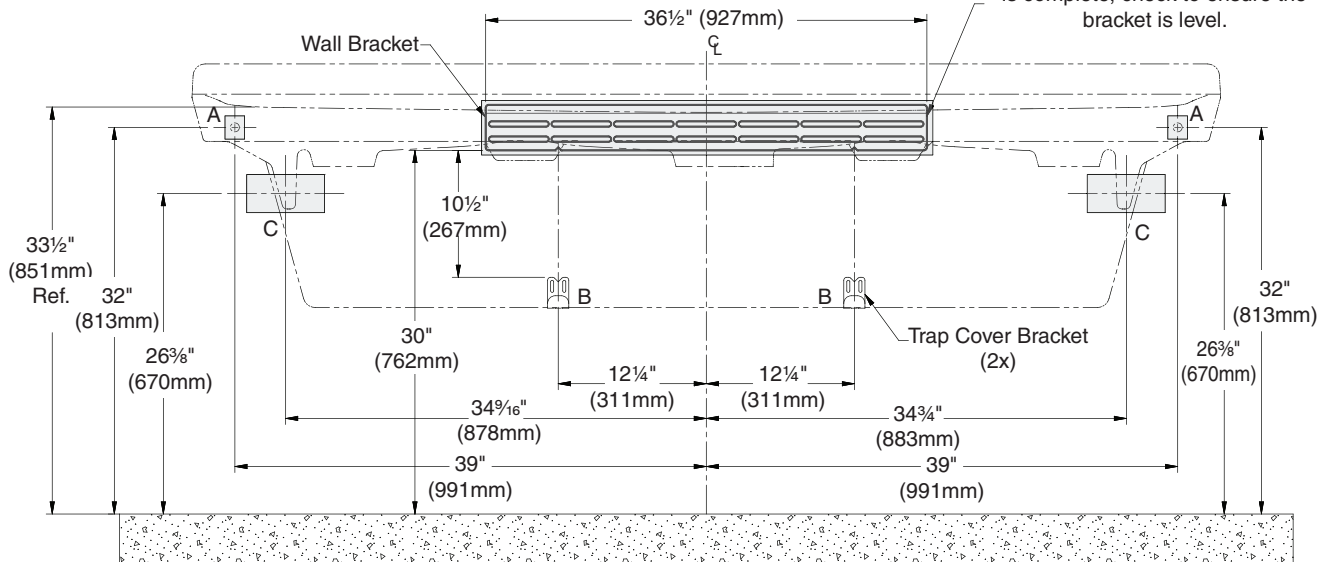


Mounting for standard ADA and TAS height shown.



Areas highlighted in gray require sufficient backing compliant with local building codes.

Secure bracket to wall using min. (2) 3/8" anchor bolts to the left of C/L and min. (2) 3/8" anchor bolts to the right of C/L. The (2) anchor bolts to the right of C/L must be min. 16" apart from the anchor bolts to the left of C/L. When mounting is complete, check to ensure the bracket is level.



CODE	DESCRIPTION	QTY.
A	Install (1) 3/8" wall anchor with a minimum pull-out force of 1,000 lbs. per local codes at locations shown	2
B	Install (2) wall anchors per bracket with a minimum pull-out force of 100 lbs. per local codes at locations shown	4
C	Provide structural backing compliant with local building codes.	2

Rim Height	Vertical Height Adjustments	Fixture Style
33 1/2"	No Adjustment	Standard ADA & TAS
30 1/2"	Subtract 3"	Juvenile ADA & TAS
26"	Subtract 7 1/2"	Junior

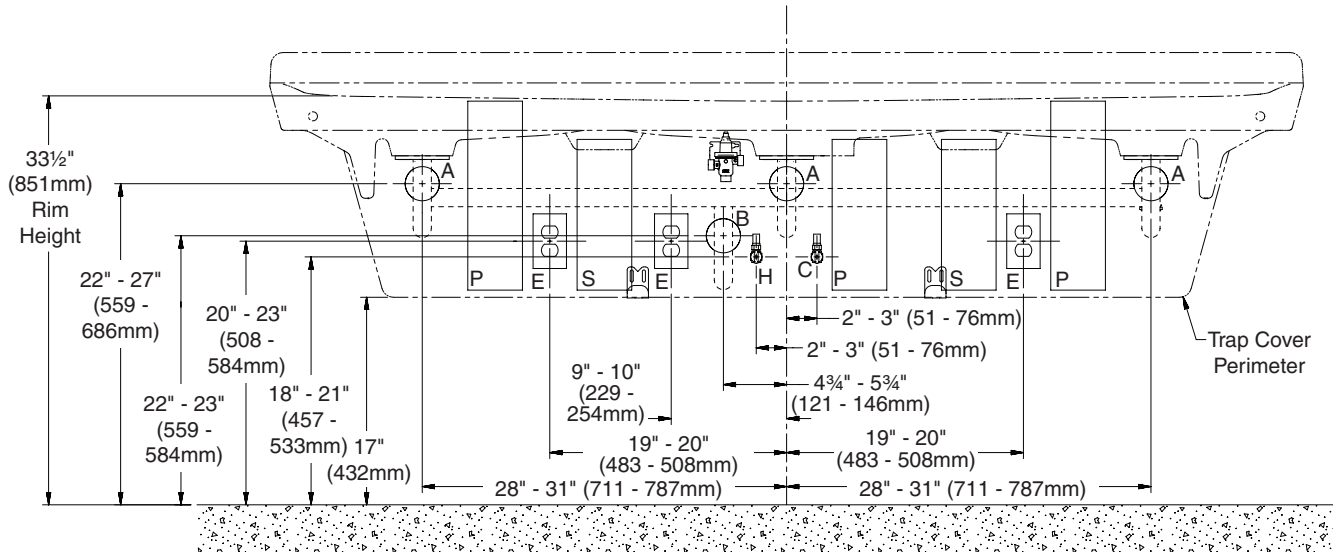


# ELX-3 Express® Lavatory System – ELX-Series

## Rough-Ins



Mounting for standard ADA and TAS height shown.



CODE	DESCRIPTION	QTY.
A	1½" NPT Drain, Stub-out 2" from wall, <b>individual waste option</b>	3
B	1½" NPT Drain, Stub-out 2" from wall, <b>combined waste option</b>	1
H,C	½" Nominal (⅝" O.D. Comp.) Hot/Cold supplies, Stub-out 2" from wall	1
E	110V GFI protected electrical outlet (AC faucet and soap only)	3
S	Outline of shared soap container (if selected)	2
P	Outline of personal soap container (if selected)	3



# ELX-3

## Express® Lavatory System – ELX-Series

<b>Models</b> (Must select one)	
<b>Model</b>	<b>Description</b>
<input type="checkbox"/> <b>ELX-3</b>	Express Lavatory System ELX-3
<b>Standard Selections</b> (Must select one from each category)	
<b>Faucet Type (select one)</b>	
<input type="checkbox"/> <b>IR-DCD</b>	Infrared Faucet Battery
<input type="checkbox"/> <b>IR-DCG</b>	Infrared Faucet Battery
<input type="checkbox"/> <b>CAP-DCR</b>	Capacitive Faucet Battery
<input type="checkbox"/> <b>S53-315</b>	1200 series CS Faucet (chrome-plated p-trap required)
<input type="checkbox"/> <b>4" Set</b>	4" Centerset Drilling (1-1/4" Drilling Only)
<input type="checkbox"/> <b>Shank</b>	Centershank Drilling (1-1/4" Drilling Only)
<input type="checkbox"/> <b>NFD</b>	No Faucet Drilling
Additional faucet options available. Please see the faucet selections on <a href="http://www.bradleycorp.com">www.bradleycorp.com</a>	
<b>Soap Drilling Location (select one)</b>	
<input type="checkbox"/> <b>SSD</b>	Shared Soap Drilling (located in between faucets) (2 drillings)
<input type="checkbox"/> <b>PSD</b>	Personal Soap Drilling (next to each faucet) (3 drillings)
<input type="checkbox"/> <b>NSD</b>	No Soap Dispenser/No Drilling
Please reference page 3 for soap drilling locations.	
<b>Soap Dispenser Type (select one)</b>	
<input type="checkbox"/> <b>SDO</b>	1¼" Soap Drilling Only
<input type="checkbox"/> <b>6334</b>	16 oz. Plastic Globe, 3½" Spout
<input type="checkbox"/> <b>6324-68</b>	32 oz. Plastic Globe, 4" Spout
<input type="checkbox"/> <b>6315</b>	Sensor-Operated Soap Dispenser
<i>6315 Dispenser Options (must order as separate line items)</i>	
<input type="checkbox"/> <b>P19-232A</b>	2000-Shot or 54-oz Lotion Soap with Moisturizer (Case of 4 Bottles)
<input type="checkbox"/> <b>P19-231F</b>	AC Adapter - 6315 Soap Dispenser
Visit washroom accessories at <a href="http://bradleycorp.com">bradleycorp.com</a> for additional soap dispenser options.	
<b>Water Supply Type (select one)</b>	
<input type="checkbox"/> <b>TMA</b>	Navigator® Thermostatic Mixing Assembly (Supply hoses and shut-offs included)
<input type="checkbox"/> <b>TL</b>	Single Tempered Line Assembly (supply hoses and shut-offs included)
<input type="checkbox"/> <b>NONE</b>	Supply hoses and shut-offs by others

<b>Color of Terreon (select one)</b>			
<i>Standard Colors</i>			
<input type="checkbox"/> <b>ALP-WHT</b>	Alpine White	<input type="checkbox"/> <b>MOONSTONE</b>	Moonstone†
<input type="checkbox"/> <b>AVALANCHE</b>	Avalanche†	<input type="checkbox"/> <b>O-TAUPE</b>	Organic Taupe
<input type="checkbox"/> <b>BONE</b>	Mesa Bone	<input type="checkbox"/> <b>PEBBLE</b>	Pebble Beach
<input type="checkbox"/> <b>DRIFT</b>	Driftwood†	<input type="checkbox"/> <b>PEP-WHT</b>	Peppered White
<input type="checkbox"/> <b>DS-WHT</b>	Designer White	<input type="checkbox"/> <b>POLAR</b>	Polar Ice†
<input type="checkbox"/> <b>DUNE</b>	Sand Dune†	<input type="checkbox"/> <b>SAND</b>	Sandtrap
<input type="checkbox"/> <b>E-GRAY</b>	Empire Gray	<input type="checkbox"/> <b>S-CREEK</b>	Stone Creek
<input type="checkbox"/> <b>GLACIER</b>	Glacier	<input type="checkbox"/> <b>S-MIST</b>	Silver Mist
<input type="checkbox"/> <b>GRAPH</b>	Graphite	<input type="checkbox"/> <b>WHT-SAND</b>	White Sand
<input type="checkbox"/> <b>LANNON</b>	Lannonstone		
<input type="checkbox"/> <b>LONDON</b>	London Gray		
<i>Designer Colors* (available at an additional charge)</i>			
<input type="checkbox"/> <b>ARC-CHIP</b>	Arctic Chip	<input type="checkbox"/> <b>COFFEE</b>	Coffee Bean
<input type="checkbox"/> <b>RIVER</b>	Riverstone		
<i>TerreonRE Colors* (available at an additional charge)</i>			
<input type="checkbox"/> <b>BIRCH-BARK</b>	Birch Bark	<input type="checkbox"/> <b>MOONDUST</b>	Moon Dust
<input type="checkbox"/> <b>DUSK</b>	Dusk	<input type="checkbox"/> <b>OAT</b>	Oat
<b>Backsplash Type (select one)</b>			
<input type="checkbox"/> <b>BS</b>	Integral 2½" Covered Backsplash		
<input type="checkbox"/> <b>NBS</b>	No Backsplash		
<b>Access Panel Type(select one)</b>			
<input type="checkbox"/> <b>COAL</b>	Coal		
<b>Waste Assembly Type (select one)</b>			
<input type="checkbox"/> <b>CW-CHROME</b>	Chrome-Plated Combined Waste Assembly (1 p-trap/1 drain connection)		
<input type="checkbox"/> <b>CW-POLY</b>	Polypropylene Combined Waste Assembly (1 p-trap/1 drain connection)		
<input type="checkbox"/> <b>IW-CHROME</b>	Chrome-Plated Individual Waste Assembly (3 p-traps/3 drain connections)		
<input type="checkbox"/> <b>IW-POLY</b>	Polypropylene Combined Waste Assembly (3 p-traps/3 drain connections)		
<input type="checkbox"/> <b>NONE</b>	Waste Assembly by Others		
<b>Optional Selections</b>			
<b>Faucet Adapter Type</b>			
<input type="checkbox"/> <b>PT</b>	Plug-in adapter to convert battery operated S53-315, CAP-DCR, IR-DCG or IR-DCD		

† This color contains large, randomly distributed chips.

\* Non-cancelable, non-returnable.