



A WATTS Brand

S19-2150 (EFX20)

Emergency Fixture Thermostatic Mixing Valve

- Exceeds ANSI Z358.1
- ASSE 1071 Certified
- Reliable Liquid-Filled Thermostat with 10-Year Warranty
- Integral Strainer Checkstops on Inlets
- Adjustable Set Point within Temperature Range
- Accurate Temperature Control to within $\pm 3^{\circ}$ F
- Built-in Cold Water Bypass, Assuring Cold Flow
- Positive Shutoff of Hot Supply When Cold Supply is Lost
- Easy Installation and Serviceability
- Dirt and Lime Resistant
- Dial Thermometer
- Factory Assembled and Tested
- Universal Mounting Capability
- Cabinet Features:
 - 18 Gauge Body & Door
 - Left-Hand Hinge
 - Cylinder Lock
 - Inlet/Outlet Knock-Out Holes for Mounting Flexibility
 - Stainless Steel or Baked White Enamel Finishes
 - Surface-Mounted or Recessed Style

Valve Specifications

Maximum Operating Pressure
125 PSI (860 kPA)

Maximum Inlet Temperature
180° F (82° C)

Recommended Inlet Temperature
120° F (49° C) – 140° F (60° C)

Temperature Range	Set Point
Std. 65° F (18° C) to 90° F (32° C)	85° F (29° C)

Flow Capacities – GPM

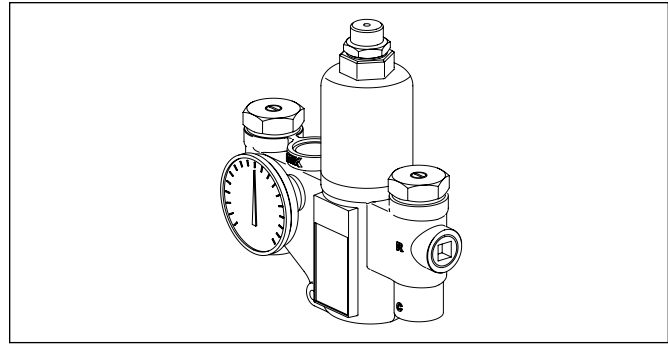
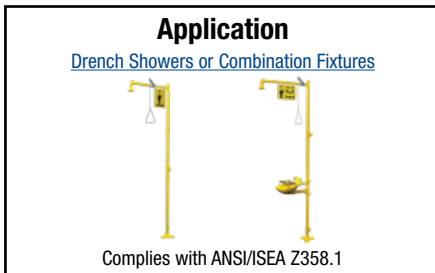
Model	Min. Flow	Pressure Drop – PSI						
		5	10	15	20	30	45	60
S19-2150	3.0	6.8	15.2	20.1	23.8	30.3	36.8	42.5

Minimum cold water bypass at 30 PSID: 16.9 GPM

Flow Capacities – L/Min

Model	Min. Flow	Pressure Drop – Bar						
		.5	1.0	1.5	2.0	2.5	3.0	4.0
S19-2150	11.4	25.7	57.5	76.1	90.1	114.7	139.3	160.9

Minimum cold water bypass at 2.1 Bar: 64.0 L/Min



Valve Model

Model	Description
S19-2150	Emergency Fixture Thermostatic Mixing Valve

Configurable Valve Model (select one)

Model	Description
EFX20	EFX20 Thermostatic Mixing Valve with Options
CAB-EFX20	EFX20 Thermostatic Mixing Valve Cabinet Only

Optional Valve Selections

Finish	
R	Rough Brass (standard)
C	Chrome Plated
Bracket	
B	Wall Mounting Bracket
O	None
Piped Assembly	
P	Piped Assembly with Inlet and Outlet Shutoff
N*	Piped Assembly only
O	None

Optional Cabinet Selections

Cabinets (includes bracket)	
SS	Surface Mount Stainless Steel
RS	Recessed Stainless Steel
SE	Surface Mount White Enamel
RE	Recessed White Enamel
O	None
Window	
W	Plexi-Glass Window in Door
O	None

*Requires cabinet selection

Product Compliance

- Listed by IAPMO R&T to**
- ASSE 1071
 - Uniform Plumbing Code (UPC)
 - National Plumbing Code of Canada
 - International Plumbing Code (IPC)



Listed by ASSE International to

- ASSE 1071



This plumbing fixture is not intended to dispense water for human consumption through drinking or for preparation of food or beverages.

© 2024 Bradley

P.O. Box 309, Menomonee Falls, WI 53052-0309
 800 BRADLEY (800 272 3539) +1 262 251 6000
 bradleycorp.com

Engineer's Approval _____

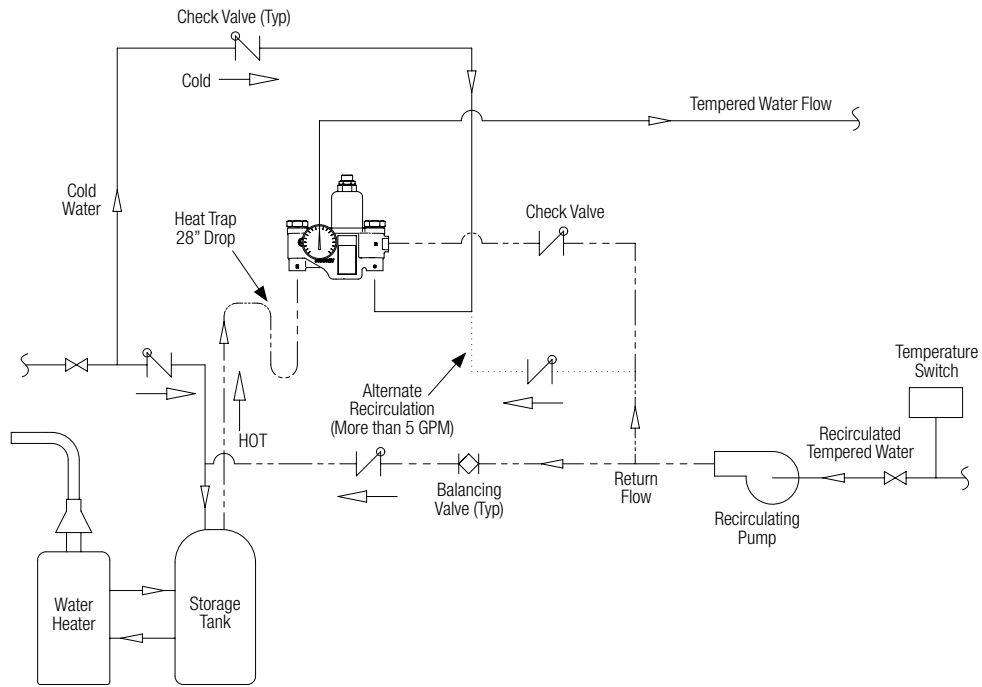


A WATTS Brand

S19-2150 (EFX20) Emergency Fixture Thermostatic Mixing Valve

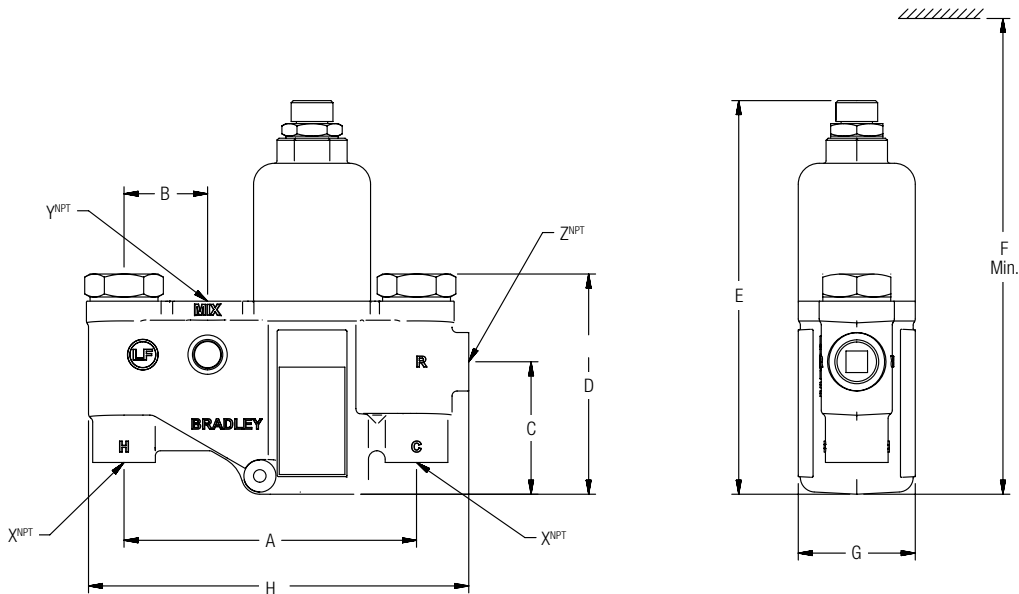
(mm)

Recirculation Diagram



Dimensions

Model	A	B	C	D	E	F	G	H	X ^{NPT}	Y ^{NPT}	Z ^{NPT}
S19-2150	7" (178)	2" (51)	3-1/8" (79)	5-1/4" (133)	9-5/8" (244)	14" (356)	2-3/4" (70)	9-3/16" (230)	3/4"	1"	3/4"





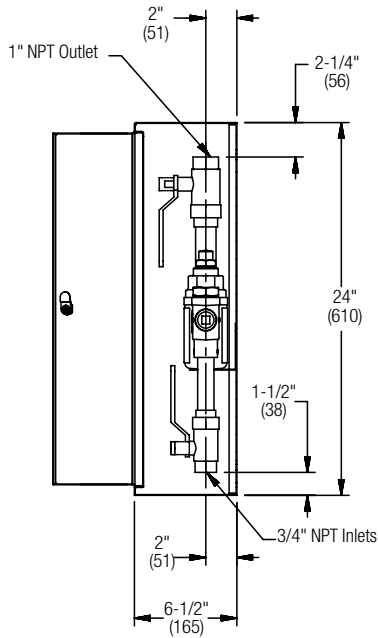
A WATTS Brand

S19-2150 (EFX20) Emergency Fixture Thermostatic Mixing Valve

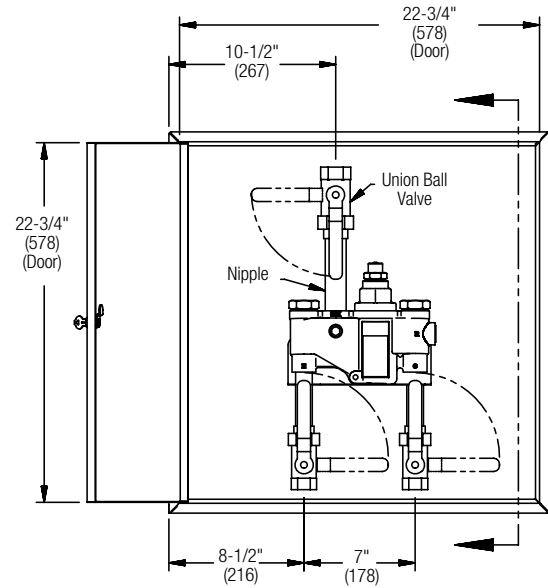
Dimensions — Surface-Mounted Cabinet

(mm)

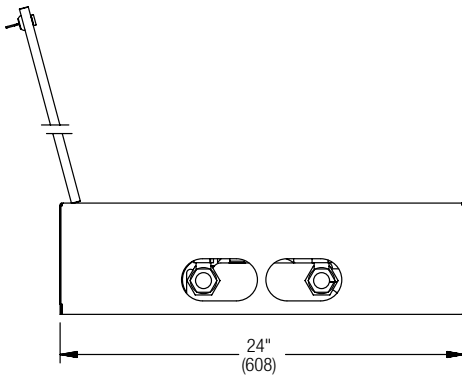
Side View



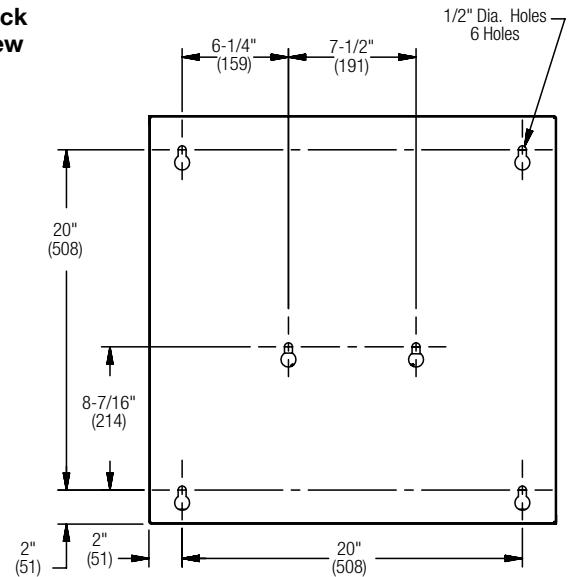
Front View



Bottom View



Back View





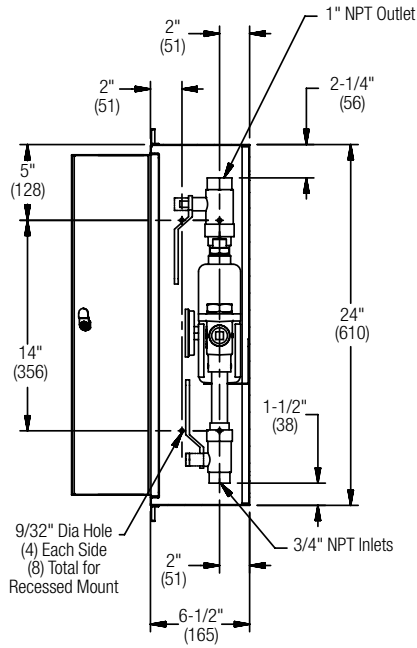
A WATTS Brand

S19-2150 (EFX20) Emergency Fixture Thermostatic Mixing Valve

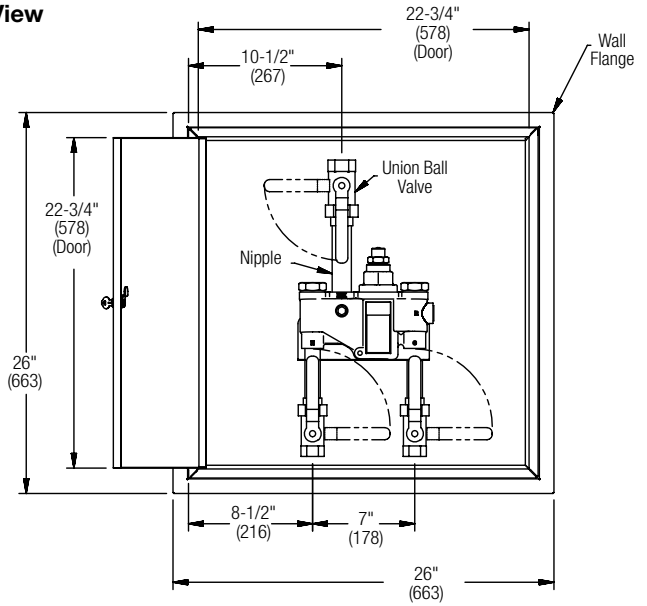
(mm)

Dimensions — Recessed Cabinet

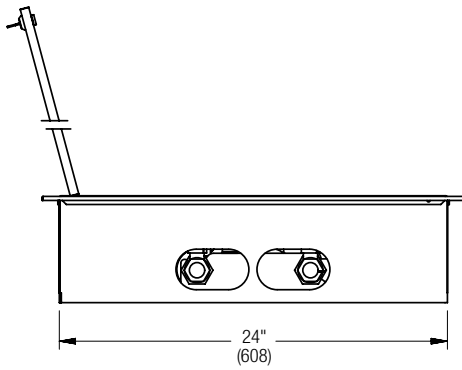
Side View



Front View



Bottom View



Back View

