



S19224SC

Wall-Mount Halo™ All Stainless Steel Eye/Face Wash with Bowl Dust Cover

- Halo™ Delivers the Most Effective Eye/Face Washdown Coverage and Spray Pattern
- Exceeds ANSI/ISEA Z358.1 Specifications
- Industry's Only Self-Draining Design – The Aquaduct™
- Separate Supply and Waste Pipes – Meets CEN and Plumbing Requirements
- Ergonomic Hand Activation Eyewash Paddle – Easy to Reach from Any Direction
- Barrier Free
- Fully-Assembled and Factory-Tested Eyewash or Eye/Face Wash with Hinged Dust Covers
- Stainless Steel Bowl Cover
- Universal Identification Sign and Inspection Tag Included
- Classified by Underwriters Laboratories Inc. to ANSI/ISEA Z358.1.
- Halo™ is Covered by One or More of the Following Patents: 9,700,484; 9,314,398; D662220; D673298; D662605; D685920; D662219; and D671228. Other Patents Pending.



Specifications

Standard Eye/Face Wash Units save space and fit easily into any work environment. Halo eye/face wash, operated by an ergonomic, highly visible push handle, provides effective wash down coverage and spray pattern. Integral strainer reduces debris in the water and also prevents clogging.

This plumbing fixture is not intended to dispense water for human consumption through drinking or for preparation of food or beverages.

Pipe and Fittings

Piping to 1/2" NPT water supply inlet on unit. Piping to 1 1/4" NPT drain outlet for eyewash. 1 1/4" piping assembly manufactured of one of the following materials:

- Type 304 corrosion resistant stainless steel

Ball Valve

1/2" stay-open eye and eye/face wash valve manufactured of the following materials:

- Type 316 stainless steel

Eye/Face Wash

The Halo eye/face wash system offers a high performance rinsing platform that provides rapid relief to an individual's eyes and face that have been injured by chemicals or particulate. This system provides the most complete face wash available in the market. The eye/face wash includes an integral 5.1 GPM (19.2 L) flow control, providing water at a safe velocity while maintaining its effectiveness (exceeds minimum water flow of 3.0 GPM (11.4 L) at 30 PSI (2.0 bar)). Eye/face wash is protected by flip open dust covers that open when product is activated or by a full bowl dust cover that activates the unit when it is opened. Safe, steady water flow under varying water supply conditions from 30–90 PSI (2.0-6.1 bar) is assured by integral flow control in the sprayhead assembly. Sprayheads are made from durable Type 304 stainless steel with electro-polished finish.

Activation

Type 304 stainless steel push handle.

Bowl

Bowl is constructed of Type 304 corrosion resistant stainless steel

Bowl Dust Cover

Dust cover is constructed of Type 304 corrosion resistant stainless steel.

Wall Bracket

Type 304 stainless steel. Includes three clearance holes for mounting bracket onto wall (mounting hardware not included).

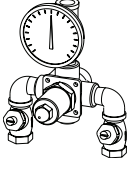
Waste

1 1/4" drain fitting and tailpiece furnished.

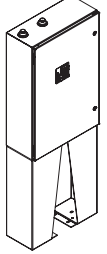
Model	Description
<input type="checkbox"/> S19224SC	Halo stainless steel eye/face wash, bowl and cover

Tepid Water Options

[Navigator S19-2000 EFX8
Emergency Thermostatic Mixing Valve](#)



[Keltech CLE-Series
Tankless Water Heater](#)



Satisfies ANSI/ISEA Z358.1 tepid water requirements.

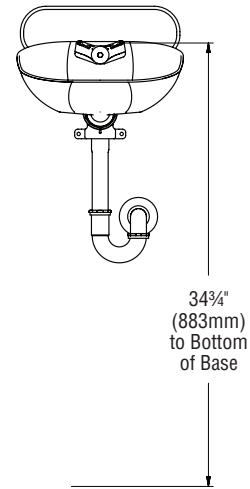
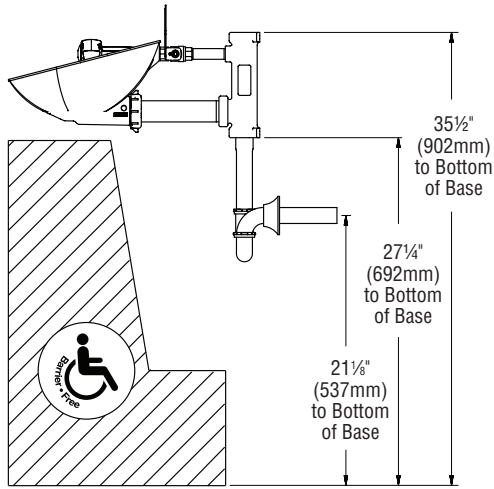


S19224SC

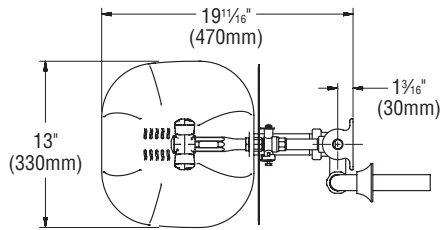
Wall-Mount Halo™ All Stainless Steel Eye/Face Wash with Bowl Dust Cover

S19224 shown with Eye/Face Wash and Bowl Dust Cover

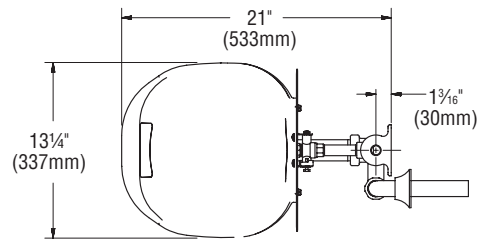
Drawing depicts Eyewash. Eye/Face Wash dimensions are the same.



Eyewash Bowl



Dust Cover



All dimensions assume standard thread engagement. Variations in manufacturing allow for +/- 1/8" (3mm) per threaded joint. To find the tolerance of a dimension, add the number of thread joints across the length of the dimension and multiply it by 1/8" (3mm).