



LVAD1 Verge® Wash Basin – LVA-Series

- Sophisticated design integrates a linear open concept
- Single piece molded design eliminates caulk lines and seams
- Standard system comes complete with mounting, access panel, drain assembly and plumbing connections

Specifications

Accommodates one user at a time. The unit handles washroom traffic quickly and economically, while providing each user with personal space. The Verge® Wash Basin is designed with standard lavatory spacing positioned on 30" centers.

Construction

Basin

The basin has been designed to direct water to a trench drain and features a 300 series stainless steel drain cap. The basin is constructed of Evero® Geo Series, a natural quartz surface made from a blend of bio-based resin, natural quartz, granite and other exotic minerals. It is made of 25% recycled content. Evero Pearl Series is a natural quartz surface made with bio-based resin, sea shells, recycled glass and natural quartz. It is made of 70% recycled content. Basin is available in all Evero colors.



Variations in the natural stone color, pattern, size, shape and shade are inherent. Due to these unique characteristics, please expect subtle shade variations when units are installed adjacent to each other.

Access Panel

Minimalistic panel is composed of decorative 300 series stainless steel. Water supplies, valves, waste assembly and other optional items are concealed within the panel. The new swingdown access panel is designed to ease the maintenance process by eliminating tools and only requires one person for installation and access. Top edge of the access panel has been hemmed to reduce sharpness.

Support Bracket

Bracket design allows for flexible stud or wall blocking anchor locations. Eliminates the need for in-wall carriers. IAPMO certified to meet or exceed ANSI load requirements.

Faucet Options

Choose from 0.5 GPM CAP-DCR, IR-DCD or IR-DCG which have been tested for fit and performance. Other compatible faucets include the Aerada 900 series Futura faucet, Aerada 1100 series High Arc faucets and the Aerada 1200 series CS faucet. For more information on these standard faucet options, please enter the model number in the search box at bradleycorp.com. 4" centerset and centershank faucet drillings are available for faucets by others.



Soap Dispensers

Choose from our 6334, 6324-68 or 6315 soap dispensers, which have been tested for fit and performance. For more information on these soap dispenser options, please enter the model number in the search box at bradleycorp.com. Soap drillings available for soap by others.

Strainer and Drain Assembly System

Strainer and drain assembly system comes complete with 300 series stainless steel trench drain cap, tailpiece and polypropylene p-trap. Optional chrome plated p-trap available. Configured with one drain and one set of supplies.

Mounting Heights

Standard Height Mounting

The standard height hand washing stations are to be mounted with a 33-1/2" rim height to comply with ADA/TAS reaches and clearances.

Juvenile Height Mounting

The juvenile height hand washing stations are designed to be mounted at 30-1/2" rim height to comply with ADA/TAS reaches and clearances.



This plumbing fixture is designed for hand washing only. It is not intended to dispense water for human consumption through drinking or for preparation of food or beverages.



LVAD1

Verge® Wash Basin – LVA-Series

Models (Must select one)					
Model	Description				
<input type="checkbox"/> LVAD1	Verge Wash Basin – LVA-Series, One-Station				
Standard Selections (Must select one from each category)					
Faucet Type (select one)					
<input type="checkbox"/> IR-DCG	Infrared Faucet Battery				
<input type="checkbox"/> IR-DCD	Infrared Faucet Battery				
<input type="checkbox"/> CAP-DCR	Capacitive Faucet Battery				
<input type="checkbox"/> SHANK	Centershank Drilling (1-1/4" Drilling Only)				
<input type="checkbox"/> 4" SET	4" Centerset Drilling (1-1/4" Drillings Only)				
Soap Dispenser Type (select one)					
<input type="checkbox"/> 6324-68	32 oz. Plastic Globe, 4" Spout				
<input type="checkbox"/> 6315-KT0000	Battery IR Metering Soap Dispenser Kit (with batteries and 1,000-shot soap)				
<input type="checkbox"/> 6334	16 oz. Plastic Globe, 3-1/2" Spout				
<input type="checkbox"/> SDO	1-1/4" Soap Drilling Only				
<input type="checkbox"/> NSD	No Soap Dispenser/No Drilling				
Water Supply Type (select one)					
<input type="checkbox"/> TMA	Navigator® Thermostatic Mixing Assembly w/Stops and Hot and Cold Supply Hoses				
<input type="checkbox"/> NONE	No Valve Option Selected (includes stop and supply hose)				
Color of Evero® Bowl (select one)					
<i>Geo Series</i>					
<input type="checkbox"/> ANDORRA	Andorra	<input type="checkbox"/> GLACIER	Glacier Bay	<input type="checkbox"/> RAINIER	Rainier
<input type="checkbox"/> ANTARCTICA	Antarctica	<input type="checkbox"/> KALAHARI	Kalahari	<input type="checkbox"/> SIENA	Sienna
<input type="checkbox"/> ARUBA	Aruba	<input type="checkbox"/> MOJAVE	Mojave	<input type="checkbox"/> SIERRA	Sierra Madre
<input type="checkbox"/> BLACK-SEA	Black Sea	<input type="checkbox"/> MYKONOS	Mykonos	<input type="checkbox"/> YUKON	Yukon
<input type="checkbox"/> DENALI	Denali	<input type="checkbox"/> PATAGONIA	Patagonia		
<i>Pearl Series (available at an additional charge) (Non-cancelable, non-returnable)</i>					
<input type="checkbox"/> AKOYA	Akoya	<input type="checkbox"/> BLACK-MOON	Black Moon		
Access Panel Type (select one)					
<input type="checkbox"/> STAIN	Stainless Steel				
Access Panel Fastener Type (select one)					
<input type="checkbox"/> TS	Thumb Screw				
<input type="checkbox"/> VS	Vandal Resistant Screw				
<input type="checkbox"/> CL	Cam Lock				
Waste Assembly Type (select one)					
<input type="checkbox"/> S-POLY	Single Polypropylene P-Trap				
<input type="checkbox"/> S-CHROME	Single Chrome-Plated P-Trap				
Optional Selections					
Faucet Adapter Type					
<input type="checkbox"/> PT	Plug-in adapter to convert battery operated CAP-DCR, IR-DCD or IR-DCG				
Soap Adapter Type					
<input type="checkbox"/> P19-231F	Plug-in adapter - 6315 soap dispenser (must order as a separate line item)				

Code Compliance and Certifications

ANSI Standards

Evero Natural Quartz Surface meets the requirements of CSA B45.5/IAPMO Z124.

cUPC Approval

Verge Wash Basin is Uniform Plumbing Code (UPC), International Plumbing Code (IPC) and National Plumbing Code of Canada approved through the International Association of Plumbing and Mechanical Officials (IAPMO). Manufactured in compliance with IGC 156, CSA B45 Series & ASME A112.18.1/CSA B125.1.



Standard product selections contained within this document are third party **CERTIFIED** to NSF/ANSI 372 meeting the Lead-Free content requirement. Any product configured with custom options will be **COMPLIANT** with NSF/ANSI 372 meeting the Lead-Free content requirement.

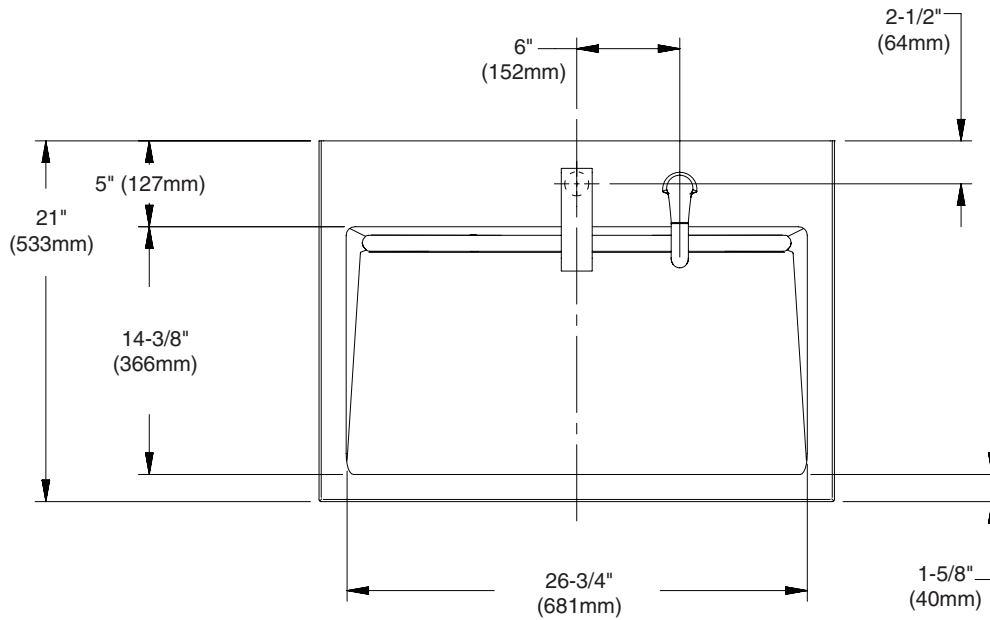




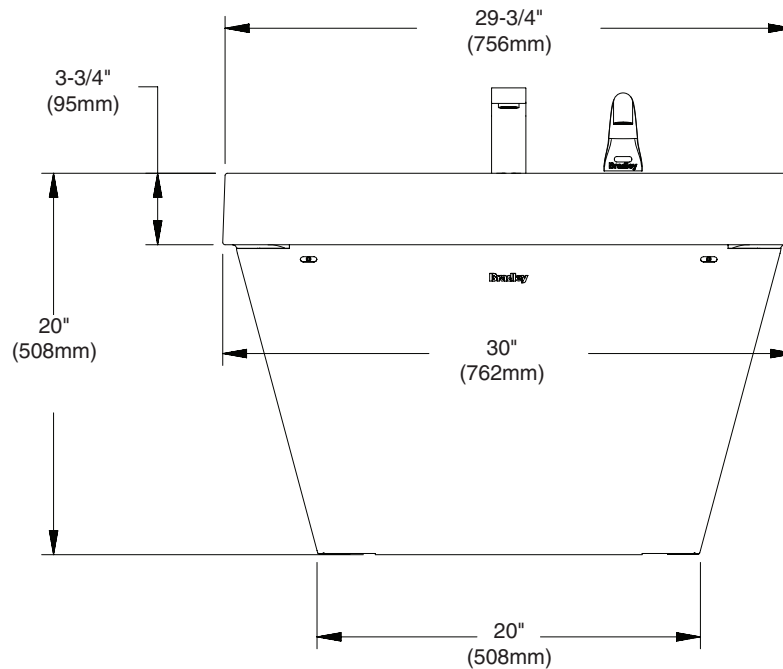
LVAD1 Verge® Wash Basin – LVA-Series

Dimensions for LVAD1 Verge Wash Basin (Shown with CAP-DCR Faucet and 6315 Soap)

Top View



Front View

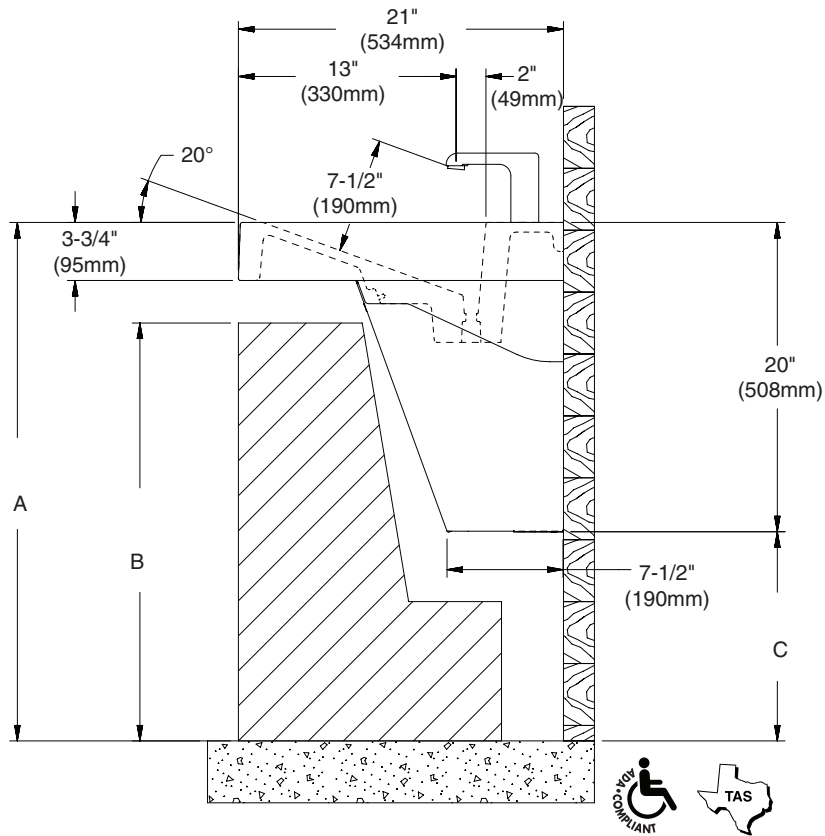




LVAD1 Verge® Wash Basin – LVA-Series

Dimensions for LVAD1 Verge Wash Basin

Side View



	ADA/TAS Standard Height	ADA/TAS Juvenile Height (Children 6-12 years)	CSA Standard Height
Dim A	33-1/2" (851mm)	30-1/2" (775mm)	33-1/2" (851mm)
Dim B	27" (686mm)	24" (610mm)	29-29/32" (760mm)
Dim C	13-1/2" (343mm)	10-1/2" (267mm)	13-1/2" (536mm)



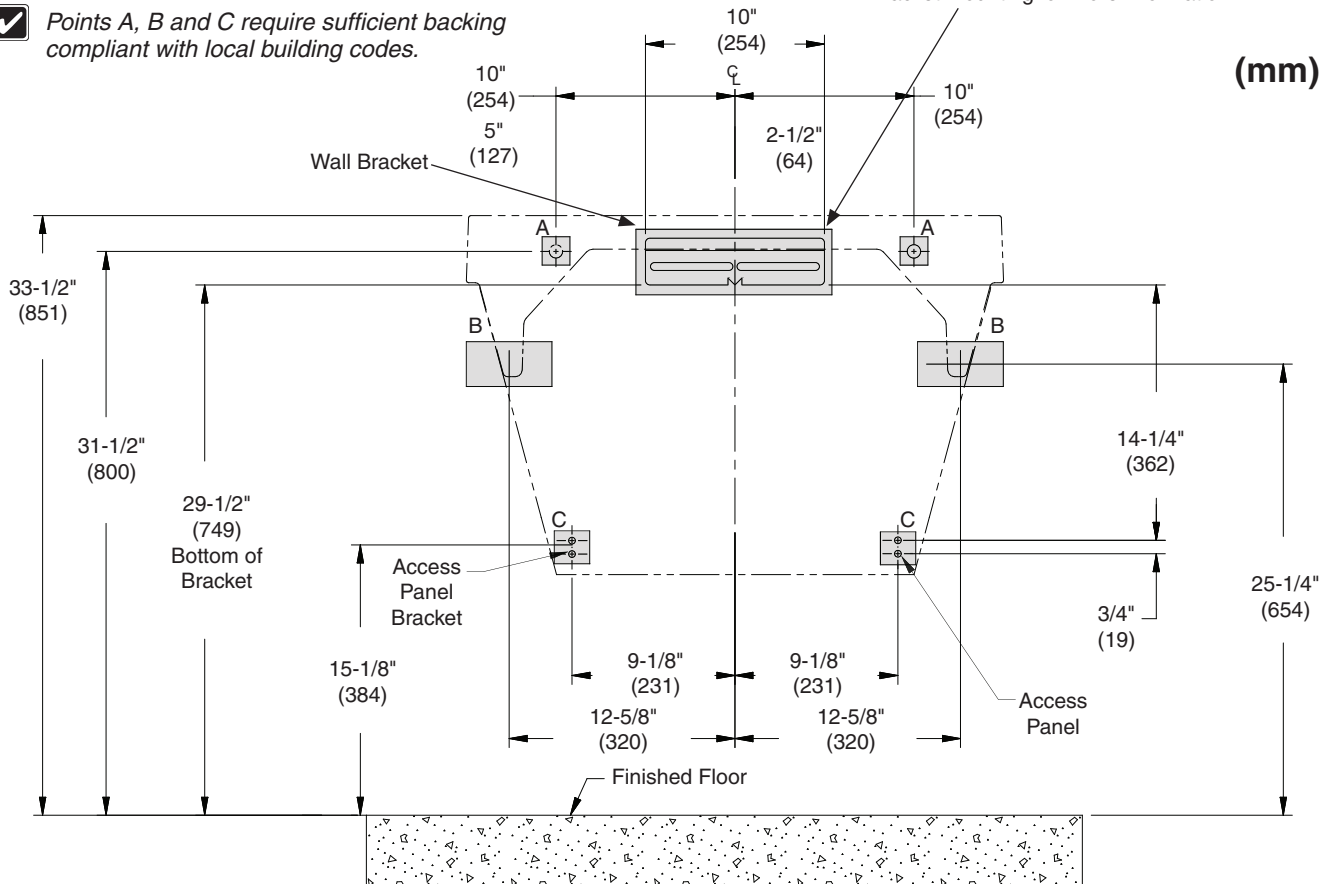
LVAD1 Verge® Wash Basin – LVA-Series

Rough-Ins for LVAD1 Verge Wash Basin

⚠ WARNING Ensure bowl is completely seated in the wall bracket and securely fastened to the wall at point A.

- Mounting for Standard, ADA and TAS height shown.
- Points A, B and C require sufficient backing compliant with local building codes.

Secure bracket to wall using min. 3/8" anchor bolt to the left of C/L and min. 3/8" anchor bolt to the right of C/L. The anchor bolt to the right of C/L must be min. 5" apart from the anchor bolt to the left of C/L. When mounting is complete, check to ensure the bracket is level. See Step 1: Bracket Mounting for more information.



CODE	DESCRIPTION	QTY.
A	Install (1) 3/8" wall anchor with a minimum pull-out force of 1,000 lbs. per local codes at locations shown	2
B	Provide structural backing compliant with local building codes.	2
C	Install wall anchor with a minimum pull-out force of 100 lbs. per local codes at locations shown	4

RIM HEIGHT	VERTICAL HEIGHT ADJUSTMENTS	FIXTURE STYLE
33-1/2"	No Adjustment	Standard Height, ADA, TAS and CSA
30-1/2"	Subtract 3"	Juvenile, ADA and TAS

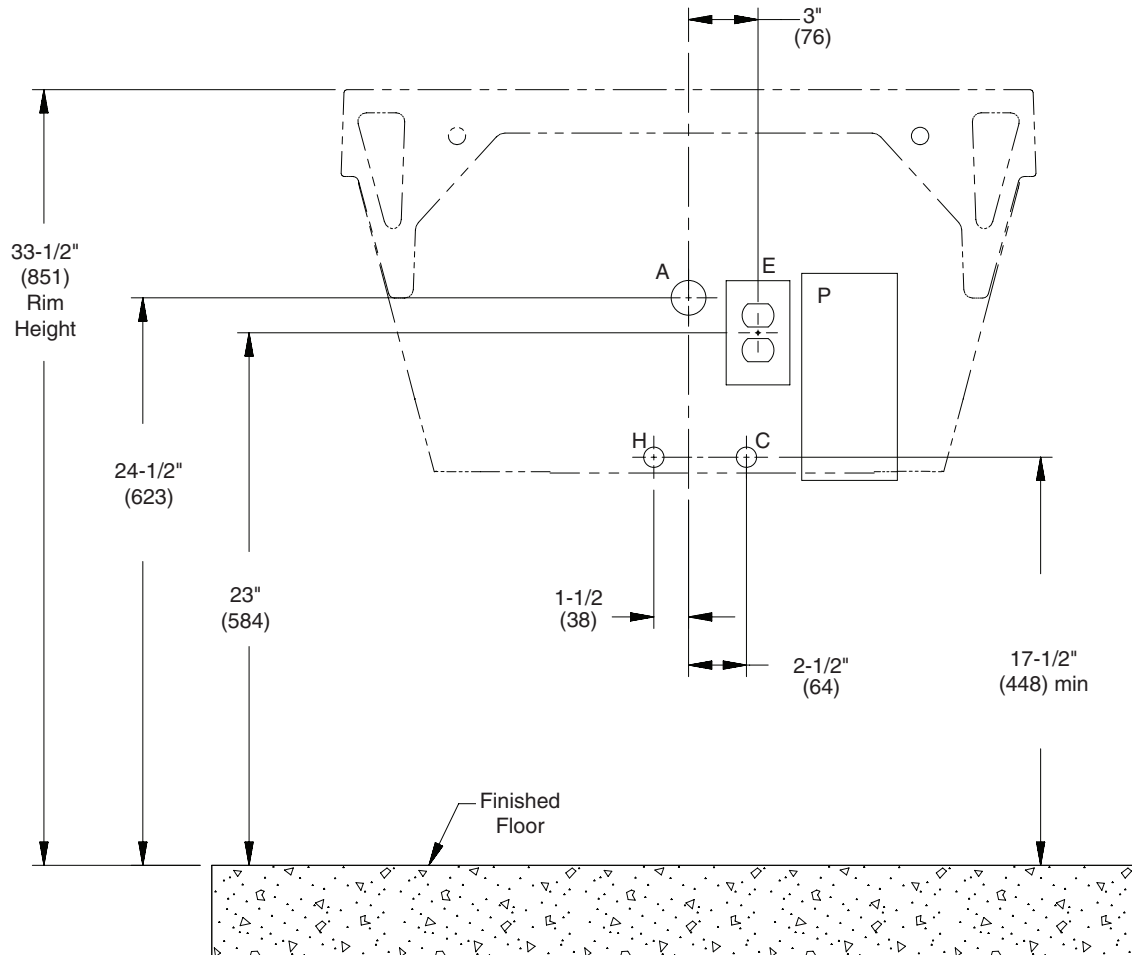


LVAD1 Verge® Wash Basin – LVA-Series

Rough-Ins for LVAD1 Verge Wash Basin

(mm)

Mounting for Standard, ADA and TAS height shown.



CODE	DESCRIPTION	QTY.
A	1½" NPT Drain, Stub-out 2" from wall, individual waste option	1
H,C	½" Nominal (5/8" O.D. Comp.) Hot/Cold supplies, Stub-out 2" from wall	1
E	110V GFI protected electrical outlet (AC faucet and soap only)	1
P	Outline of soap container (if selected)	1