



S59-3080 (HL80) Thermostatic High-Low Valves

- Lead-Free Brass Design †
- Reliable Liquid-Filled Thermostat with 10 year warranty
- Integral Strainer Checkstops on Inlets
- Adjustable Set Point within Temperature Range
- Accurate Temperature Control to within $\pm 3^\circ$ F
- Positive Shutoff of Flow in the Event of Cold Supply Line Failure or Thermostat Failure
- Easy Installation and Serviceability
- Dirt and Lime Resistant
- Factory Assembled and Tested
- Universal Mounting Capability
- Dial Thermometer
- Cabinet Features:
 - 18 Gauge Body & Door
 - Left-Hand Hinge
 - Cylinder Lock
 - Inlet/Outlet Knock-Out Holes for Mounting Flexibility
 - Stainless Steel or Baked White Enamel Finishes
 - Surface-Mounted or Recessed Style with Flange

Valve Specifications

Maximum Operating Pressure

125 PSI (860 kPa)

Maximum Inlet Temperature

180° F (82° C)

Temperature Range

	Std.	High	Set Point
	90° F (32° C) to 120° F (49° C)	110° F (43° C) to 140° F (60° C)	110° F (43° C)
			130° F (54° C)

Flow Capacities – GPM

Model	Min. Flow*	Pressure Drop – PSI						
		5	10	15	20	30	45	60
S59-3080	2.0	26.0	36.0	44.0	51.0	63.0	77.0	88.0

Flow Capacities – L/Min

Model	Min. Flow*	Pressure Drop – Bar						
		.5	1.0	1.5	2.0	2.5	3.0	4.0
S59-3080	7.5	110.0	157.0	193.0	223.5	250.5	275.0	318.0

*Recirculation system only (See diagram on Page 2). When properly installed near the hot water source with a **continuously operating** recirculation pump, the valve will maintain set temperature with a .5 GPM (2.0 L/Min) draw from the plumbing system.

Code Compliance and Certifications

ASSE 1017 & cUPC certified. Complies with California Lead Plumbing Law.



Certified to NSF/ANSI 372

† Wetted surface contains less than .25% lead

Engineer's Approval _____



Valve Model

Model	Description
<input type="checkbox"/> S59-3080	High-Low Thermostatic Mixing Valve

Configurable Valve Model (select one)

Model	Description
<input type="checkbox"/> HL80	HL80 Thermostatic Mixing Valve with Options
<input type="checkbox"/> CAB-HL80	HL80 Thermostatic Mixing Valve Cabinet Only

Optional Valve Selections

Finish	
<input type="checkbox"/> R	Rough Brass (standard)
<input type="checkbox"/> C	Chrome Plated
Thermostat	
<input type="checkbox"/> S	Standard Range Thermostat
<input type="checkbox"/> H	High Range Thermostat
Bracket	
<input type="checkbox"/> B	Wall Mounting Bracket
<input type="checkbox"/> O	None
Piped Assembly	
<input type="checkbox"/> P	Piped Assembly with Inlet and Outlet Shutoff
<input type="checkbox"/> N	Piped Assembly with Outlet Shutoff
<input type="checkbox"/> O	None
Optional Cabinet Selections	
Cabinets (includes bracket)	
<input type="checkbox"/> SS	Surface Mount Stainless Steel
<input type="checkbox"/> RS	Recessed Stainless Steel
<input type="checkbox"/> SE	Surface Mount White Enamel
<input type="checkbox"/> RE	Recessed White Enamel
<input type="checkbox"/> O	None
Window	
<input type="checkbox"/> W	Plexi-Glass Window in Door
<input type="checkbox"/> O	None

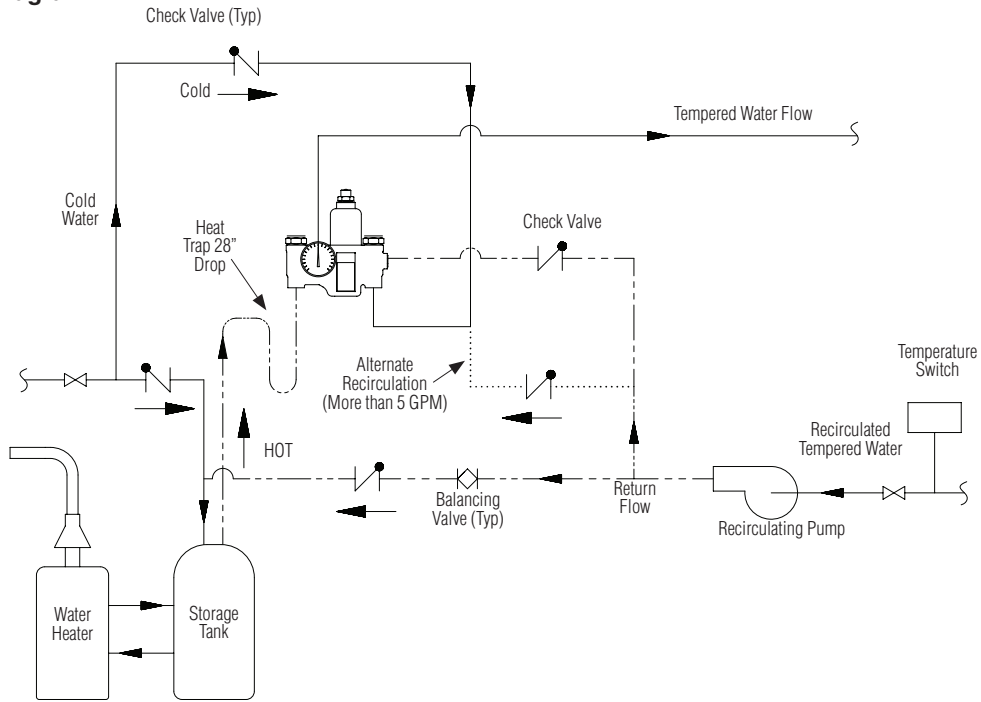
Standard product selections contained within this document are third party **CERTIFIED** to NSF/ANSI 372 meeting the Lead-Free content requirement. Any product configured with custom options will be **COMPLIANT** with NSF/ANSI 372 meeting the Lead-Free content requirement.



S59-3080 (HL80) Thermostatic High-Low Valves

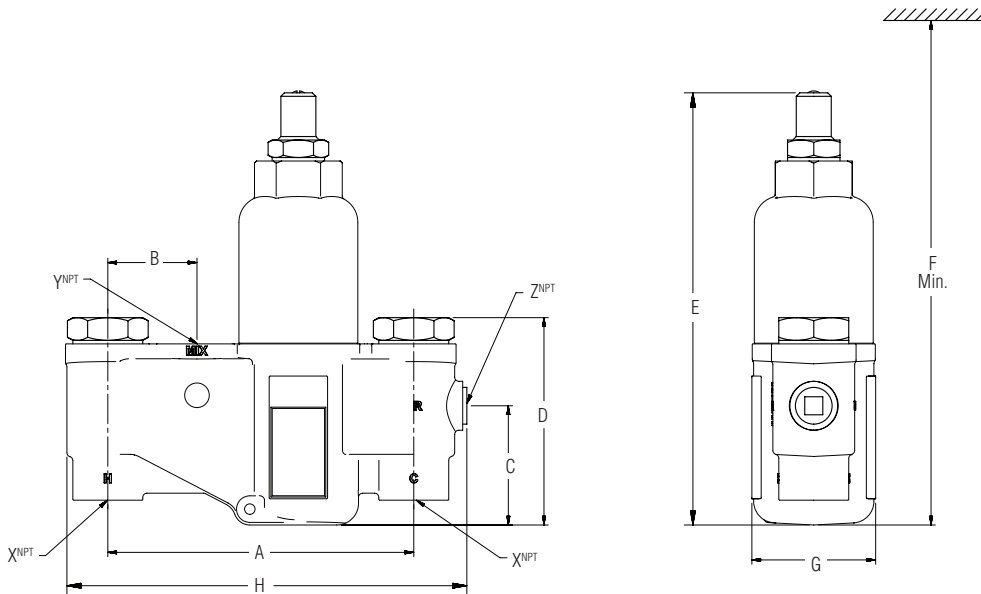
Recirculation Diagram

(mm)



Dimensions

Model	A	B	C	D	E	F	G	H	X ^{NPT}	Y ^{NPT}	Z ^{NPT}
S59-3080	8-3/4" (224)	2-1/2" (64)	3-3/8" (86)	5-7/8" (149)	12-1/4" (312)	19" (483)	3-1/2" (90)	11-1/2" (292)	1"	1-1/4"	3/4"

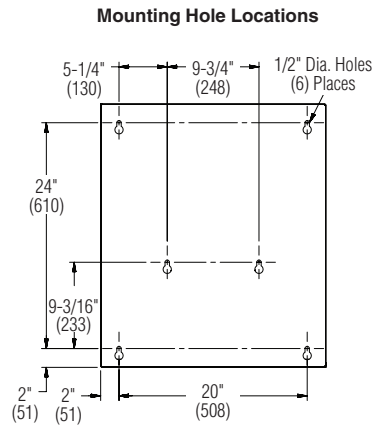
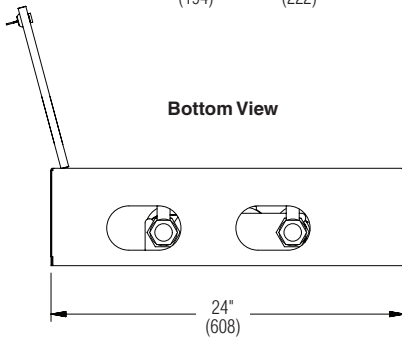
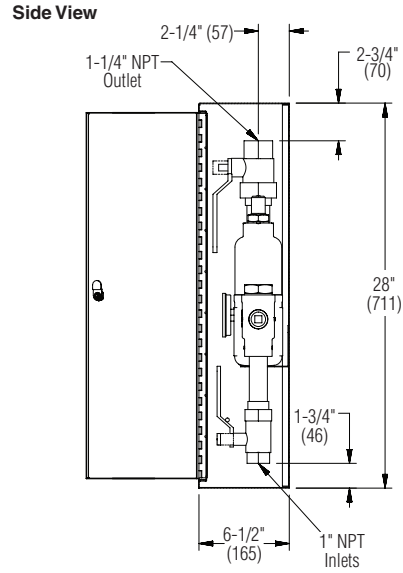
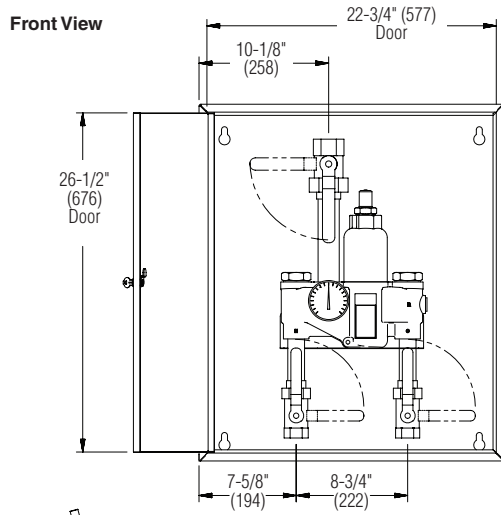




S59-3080 (HL80) Thermostatic High-Low Valves

Dimensions — HL80 Surface-Mounted Cabinet

(mm)





S59-3080 (HL80) Thermostatic High-Low Valves

Dimensions — HL80 Recessed Cabinet

(mm)

