

# Shower Valve Design Guide

Reliable. Diverse. Stylish.



Air Metering  
Electronic Metering  
Pressure Balancing

Single Compression  
Thermostatic

[BRADLEYCORP.COM](http://BRADLEYCORP.COM)





## Shower Valves

Bradley Corporation offers the most diverse assortment of shower valves and shower fixtures in the industry. These anti-scald and metering valves present a unique blend of vandal resistance, style, and function to meet all of your shower room applications, including:

- Ceramic pressure balancing cartridge with no-wearing parts, providing years of reliable service
- Vandal resistant brass materials that can withstand up to 50 ft/lb (6.92 m/kgs) of force
- Electronic metering that is not susceptible to humidity or moisture, providing reliable timing upon every activation

All of these valves can be integrated into a wide variety of shower fixtures such as column showers, wall showers, and in-wall showers. With so many choices you're guaranteed to find the right product for your next shower room project.



### Air Metering

- Timing from 5 to 45 seconds
- Industry exclusive valve design provides reliable metering performance
- Easily accessible for service
- ADA compliant



### TouchTime®

- Reliable metering of water for showers
- Factory pre-set to 1 minute run time
- Electronics contained in control module
- Safe low voltage DC components
- ADA-compliant



### Single Compression Valve\*

- Vandal resistant
- Single temperature on/off control

\* For safe showering temperatures, these valves should be supported by Bradley Navigator thermostatic mixing valves.

## Commercial Pressure Balancing Valves



### Equa-Flo™

- Sturdy blade handle
- Durable chrome finish
- Available for all shower configurations



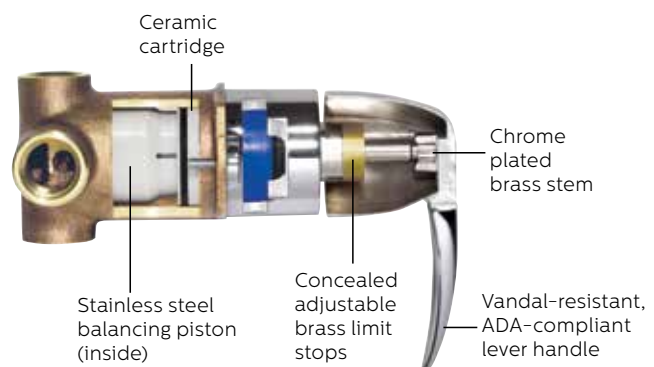
### Equa-Flo with Temperature Display

- Digital temperature display
- Heavy duty construction from brass and stainless steel

## Commercial Pressure Balancing Valve Body

### Equa-Flo EF & C5

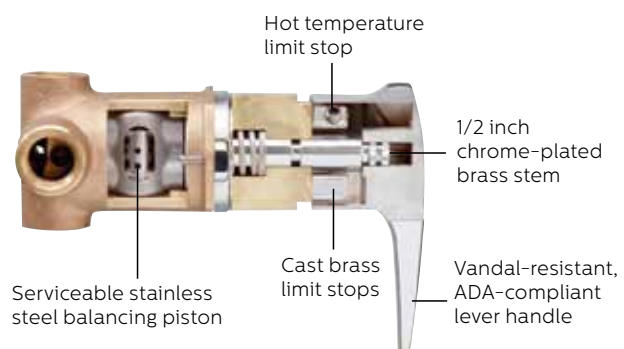
- ASSE 1016, UPC and cUPC certified
- Ceramic cartridge with no wearing parts
- Stainless steel balancing piston
- Tamper-resistant brass limit stops
- Easy installation and serviceability
- Factory assembled and tested
- Uniform casting used for all valves



## Heavy Duty Pressure Balancing Valve Body

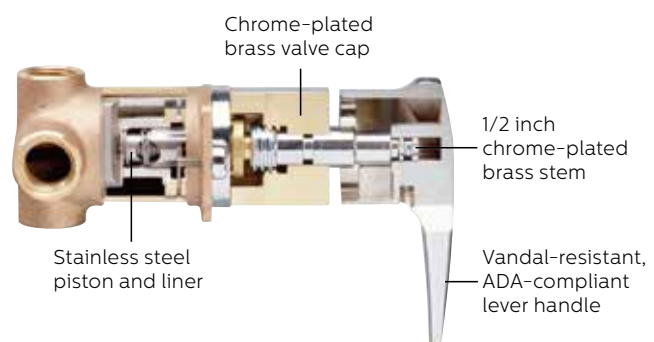
### Equa-Flo HD

- ASSE 1016 certified
- Most durable and vandal-resistant valve available
- Factory assembled and tested
- Easy installation and serviceability
- Tested to withstand 50 ft/lb (6.92 m/kgs) of force at the handle
- Uniform casting used for all valves



## Heavy Duty Thermostatic Mixing Shower Valve Body

- ASSE 1016, UPC and cUPC certified
- Reliable wax-filled thermostat
- Adjustable set point within temperature limit
- Easy installation and serviceability
- Factory assembled and tested
- Uniform casting used for all valves



# Shower Options



TouchTime in a corner wall shower



Air metering in a group wall shower



Thermostatic mixing shower valve with hand shower



Equa-Flo with temperature display and commercial showerhead



Equa-Flo HD in an ADA wall shower



Equa-Flo EF in a recessed ADA wall shower



Equa-Flo HD in a column shower



Equa-Flo HD in a wall shower

## Shower Valve Applications

### Vandal Resistance by Valve type

Abuse Level	Facility Type	Equa-Flo HD and Navigator	Single compression valve	Air metering and TouchTime	Equa-Flo	Equa-Flo C5	Equa-Flo w/ temp. display
Most ↑ ↓ Least	Prison	•	•	•			
	School	•	•	•	•	•	
	Park and Rec	•	•	•	•	•	
	Industrial Plant	•	•	•	•	•	
	Student Housing	•			•	•	•
	Stadiums/Arenas	•			•	•	•
	Health Club	•			•	•	•
	Hospital	•			•	•	•
	Hotel				•	•	•
	Nursing Home				•	•	•

• = Recommended option for facility type

+1 262 251 6000  
 800 BRADLEY bradleycorp.com  
 W142 N9101 Fountain Boulevard  
 Menomonee Falls, WI 53051



3915-1117