



# Division 10 Catalog

Washroom Accessories from Bradley

One source to perfectly accessorize every application

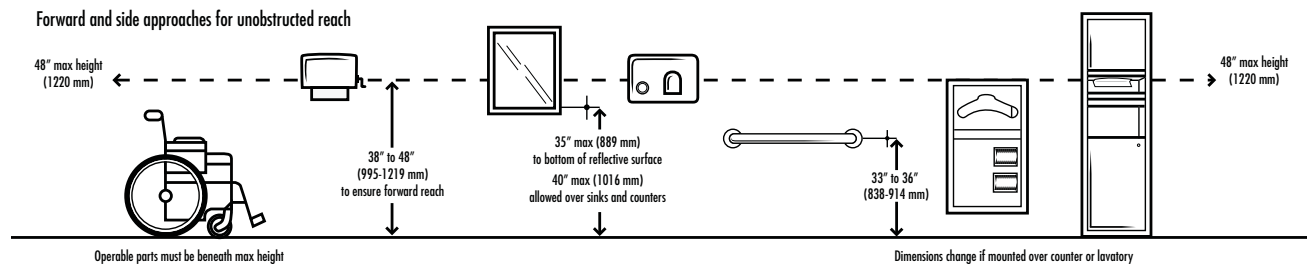


[BRADLEYCORP.COM](http://BRADLEYCORP.COM)

# BRADLEY WASHROOM ACCESSORIES WARRANTY

Product warranties may be found on [bradleycorp.com](http://bradleycorp.com)

## ACCESSIBILITY GUIDELINES



**Note:** Information from the ADA-ABA Accessibility Guidelines for Buildings and Facilities found on The United States Access Board website: <http://www.access-board.gov/>

## BradEX® SHIPPING PROGRAM



icon next to a model number indicates a BradEX® item.

All products designated as BradEX® products will ship three business days after the date the order has been entered and acknowledged by the Bradley Corporation. Standard shipping terms apply.

**Please note:** The entire order must consist of BradEX products to qualify for three business day shipping.

Need it faster? One day shipping is available with the Rush Express (BX-RX) shipment option. Maximum quantities apply, please contact your local Bradley representative for further information.

# CONTENTS

---

## COMMERCIAL RESTROOM

- 2 Grab Bars**
  - 4 Grab Bars
  - 5 Grab Bar Configurations
  - 10 Grab Bars: Swing
  - 11 Grab Bars: Bariatric
  
- 13 Aerix Hand Dryers**
  
- 16 Towels & Waste**
  - 16 Multi-Purpose
  - 18 Waste Receptacles
  - 23 Towel Dispensers
  - 29 Combination Units
  
- 36 Soap Dispensers**
  - 36 Wall-Mounted
  - 40 Deck-Mounted
  
- 42 Mirrors & Shelves**
  - 42 Mirrors
  - 45 Shelves
  
- 46 Toilet Tissue Dispensers**
  - 46 Controlled Delivery
  - 48 Non-controlled Delivery
  - 50 Jumbo Roll
  - 53 Combination Units
  
- 56 Seat Cover Dispensers**
  
- 57 Napkin Disposals & Vendors**
  - 57 Napkin Disposals
  - 59 Vendors
  
- 60 Child Care Solutions**

## SPECIALTY APPLICATIONS

- 61 Shower Products**
  - 61 Shower Seats
  - 65 Shower Curtains
  - 65 Shower Hooks
  - 66 Shower Rods
  
- 68 Security**
  - 68 Hooks
  - 69 Grab Bars
  - 70 Shelves
  - 71 Mirrors
  - 72 Soap Dishes
  - 72 Toilet Tissue Holders
  - 73 Toothbrush Holders
  
- 74 Hospitality**
  - 74 Toothbrush Holders
  - 74 Towel Bars & Shelves
  - 77 Soap Dishes
  - 79 Facial Tissue Dispensers
  - 80 Hooks
  - 83 Towel Rings
  - 83 Miscellaneous
  
- 84 Custodial**
  
- 86 Health Care**
  
- 87 Medicine Cabinets**
  
- 88 Mills® Partition**
  - 89 Partition Styles
  
- 90 Lenox® Lockers**
  
- 91 Maintenance Instructions**
  
- 92 Index**



### Standard Series

The standard look:  
framed, rectangular,  
stainless steel accessories



### Contemporary Series

A cleaner stainless steel front,  
no visible frame, attractive  
curved openings



### Diplomat™ Series

Elevate your room's look  
with the unique dual-curve  
geometry of Diplomat™  
Series Accessories

All Bradley Grab Bars are designed for safety and security of the physically disabled, and feature the 1.5" (38 mm) safety clearance recommended by Barrier-Free design experts and required under most codes.

See technical data for BradEX sizes.

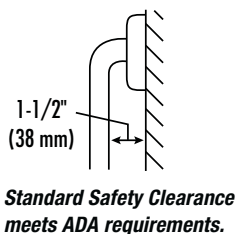
## Anchoring Devices

Building construction will govern the type of anchorage required.

**Note:** All mounting kits must be specified as optional extras. Order one kit for each flange.

See technical data for details.

Bradley will design and manufacture modified bars to satisfy unique installation applications. Contact your local Bradley representative for information.



## Features

- Heavy-duty, 18-gauge stainless steel tubing
- Meets or exceeds requirements of ANSI Standard A117.1, ADA and ABA Accessibility Guidelines for Buildings and Facilities (ADAAG) and Uniform Federal Accessibility Standard (UFAS)
- Select configurations of the 812 and 817 series meet bariatric load requirements of the American Society of Healthcare Engineers (ASHE) 2010 guidelines for design and construction of healthcare facilities
- Attractive satin finish, safety grip finish or polished safety grip finish
- Easy to install with optional anchoring devices

## How to Specify Grab Bars

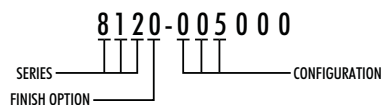
1. Select Series Number (812, 817, 832, etc.)

Heavy-Duty Series			
Mounting	1.5" (38 mm) diameter	1.25" (32 mm) diameter	1" (25 mm) diameter
Concealed	812	832	852
Exposed	817	837	857

2. Select Finish Option (standard, safety grip, etc.)

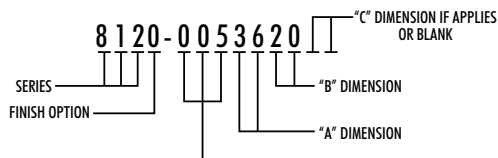
Feature	Add Suffix
Standard	0
Safety Grip Finish	2
Bright Polished Finish	4
Bright Polished Finish with Safety Grip	7

3. Select Grab Bar Configuration (001, 002, 005, etc.)



4. Select Dimensions Required

If no modifications are required to the dimensions, an example of the Part No. is:

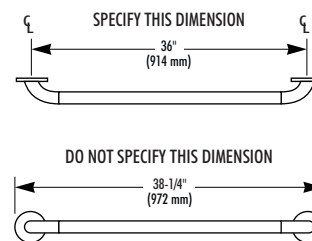


Always list dimensions in alphabetical order (i.e., 36" x 20" (914 mm x 508 mm))

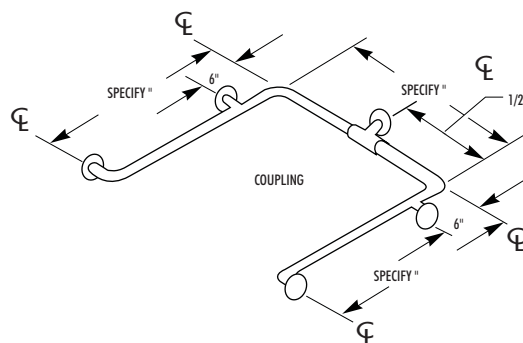
**Note:** If modifications are required to the dimensions other than A, B, or C, or if fractions are needed, contact Bradley for a submittal and special number. Unless otherwise stated, stand-off will be on long section of bar. All dimensions shown in diagrams are from wall to centerline of mounting flange or centerline of grab bar. Standard clearance is 1.5" (38 mm).

## How to Measure Grab Bars

All Grab Bar Configurations are specified using centerline to centerline dimensions.



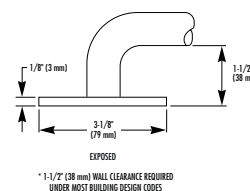
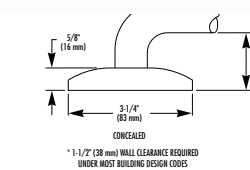
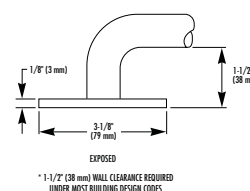
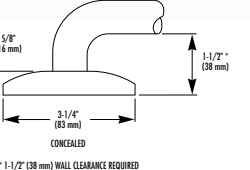
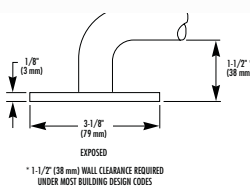
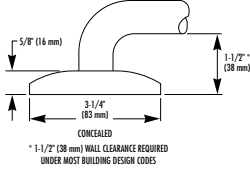
1. Obtain length of side bars:  
Side wall dimension - (Safety clearance 1.5" (38 mm) + 1/2 Diameter of Grab Bar + 2" (51 mm))
2. Obtain back bar dimension:  
Back wall dimension - (Safety clearance 1.5" (38 mm) + 1/2 Diameter of Grab Bar x 2" (51 mm))  
Example: 812 Series Grab Bar:  
If wall dimensions are 30" (762 mm) side x 58" (1473 mm) back x 30" (762 mm) side, then:  
Sides:  $30" - (1.5" + .75" + 2") = 25.75"$  (762 mm - 38 mm + 19 mm + 51 mm) = 654 mm  
Back:  $58" - (1.5" + .75" \times 2") = 53.5"$  (1473 mm - (38 mm + 19 mm + 51 mm) = 1359 mm)  
Grab Bar dimensions would be 25.75" x 53.5" x 25.75" (654 mm x 1359 mm x 654 mm)



# Grab Bars



Icon indicates Bariatric weight rated products that follow FGI guidelines. See Bariatric Grab Bar section for more information.



## 812 SERIES



Grab bar of 1.5" (38 mm) O.D., 18-gauge stainless steel, seamless construction with exposed surfaces in architectural satin finish. Mounting flanges concealed by snap-on escutcheons. Antimicrobial option is available for select sizes.

-2 Safety-Grip Finish, -4 High-Polish Finish, -7 Safety Grip with Polished Finish on Ends

See technical data for BradEX sizes



## 817 SERIES



Grab bar of 1.5" O.D. (38 mm), 18-gauge stainless steel, seamless construction with exposed surfaces in architectural satin finish. Exposed mounting flanges.

-2 Safety-Grip Finish, -4 High-Polish Finish, -7 Safety Grip with Polished Finish on Ends

## 832 SERIES



Grab bar of 1.25" O.D. (32 mm), 18-gauge stainless steel, seamless construction with exposed surfaces in architectural satin finish. Mounting flanges concealed by snap-on escutcheons.

-2 Safety-Grip Finish, -4 High-Polish Finish, -7 Safety Grip with Polished Finish on Ends

See technical data for BradEX sizes



## 837 SERIES



Grab bar of 1.25" O.D. (32 mm), 18-gauge stainless steel, seamless construction with exposed surfaces in architectural satin finish. Exposed mounting flanges.

-2 Safety-Grip Finish, -4 High-Polish Finish, -7 Safety Grip with Polished Finish on Ends

See technical data for BradEX sizes



## 852 SERIES



Grab bar of 1" O.D. (25 mm), 18-gauge stainless steel, seamless construction with exposed surfaces in architectural satin finish. Concealed mounting flanges.

-2 Safety-Grip Finish, -4 High-Polish Finish, -7 Safety Grip with Polished Finish on Ends

## 857 SERIES



Grab bar of 1" O.D. (25 mm), 11-gauge stainless steel, seamless construction with exposed surfaces in architectural satin finish. Exposed mounting flanges.

-2 Safety-Grip Finish, -4 High-Polish Finish, -7 Safety Grip with Polished Finish on Ends

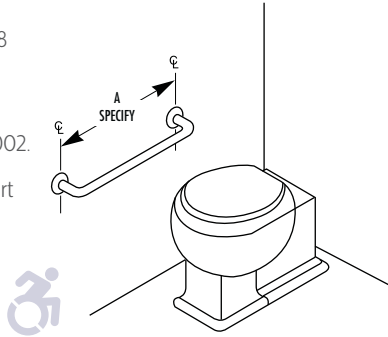
# Typical Water Closet Applications

## 001

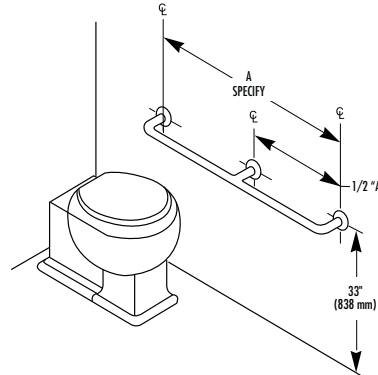
Specify length desired. See 048 and 049 for 45° mounting. 001 over 54" (1372 mm) requires a center support and becomes 002.

Select dimensions can support up to 1,000 lb (454 Kg)

When installed as specified, unit meets "Barrier-Free" requirements.

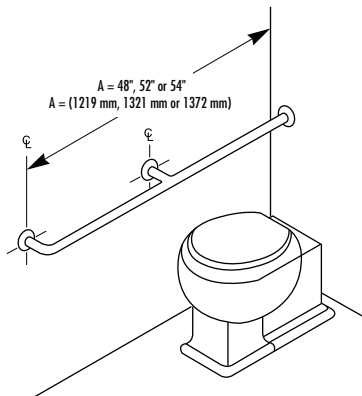


## 002

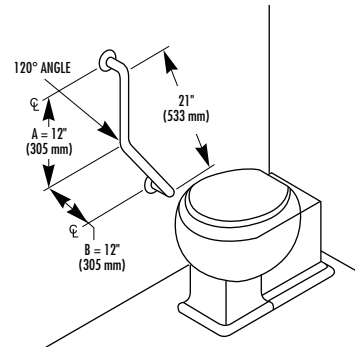


## 003

Standard lengths 48," 52" or 54" (1219 mm, 1321 mm or 1372 mm) Only one end return. Special size "A" dimensions, center post will only be added to models greater than 24" (610 mm).

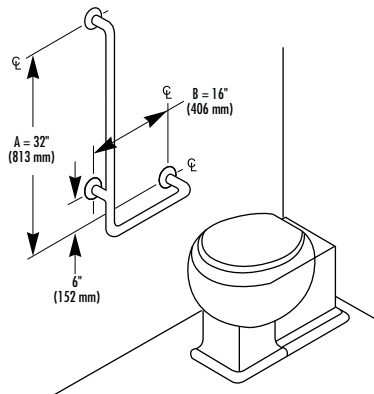


## 004



## 005

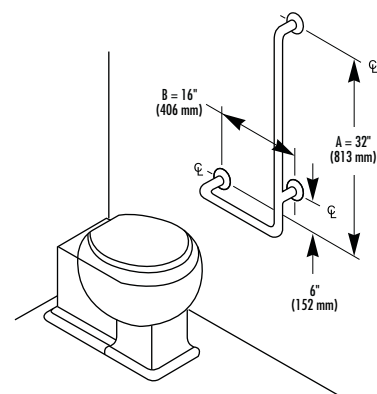
"A" dimension will always have stand off.



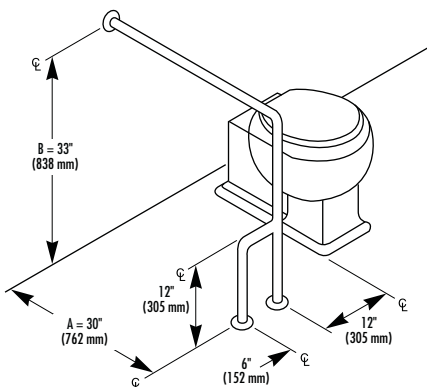
## 006

Opposite 005

"A" dimension will always have stand off.



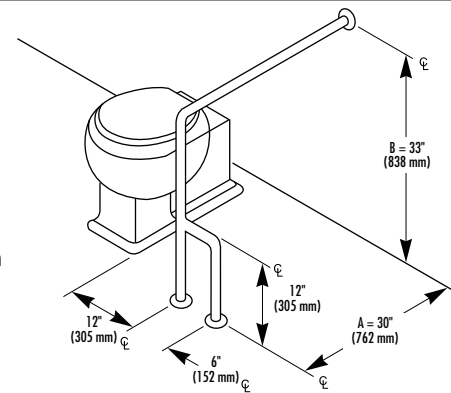
## 010



## 011

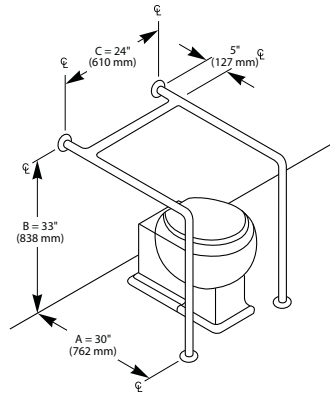
Opposite 010.

**Note:** When grab bar dimensions are modified, a support will be added to all sections longer than 54" (1372 mm).



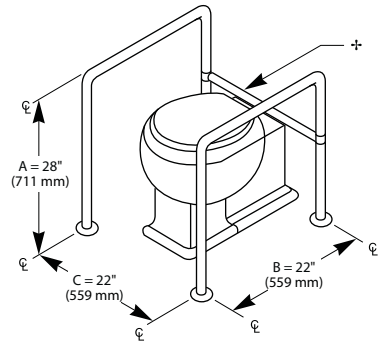
## 012

Confirm clearance between fixture or plumbing and grab bar in individual applications.



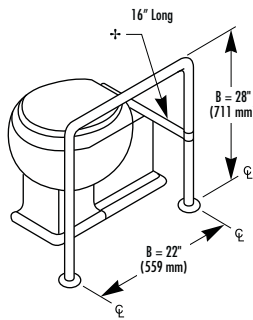
## 039

+ Bar slides to accommodate various size water closets. Flat bar 2" (51 mm) wide x .125" (3 mm) thick, 11 ga. bolts to toilet.



## 039-1

+ Bar adjustable for right or left hand mounting. Flat bar 2" (51 mm) wide x .125" (3 mm) thick, 11 ga. bolts to toilet.

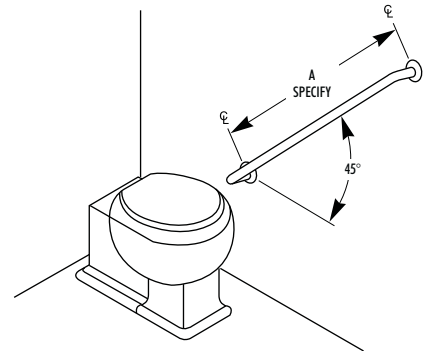


## 048

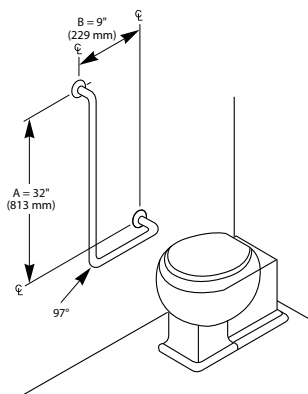
(shown)

## 049

Opposite hand

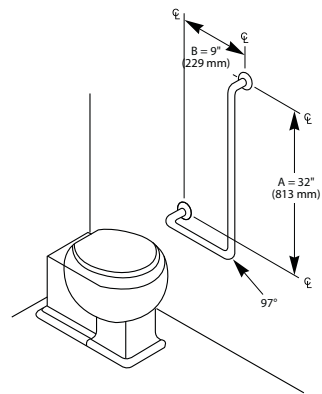


## 040

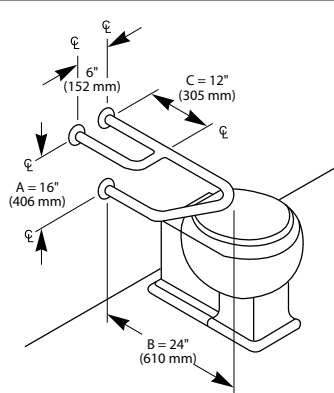


## 041

Opposite 040

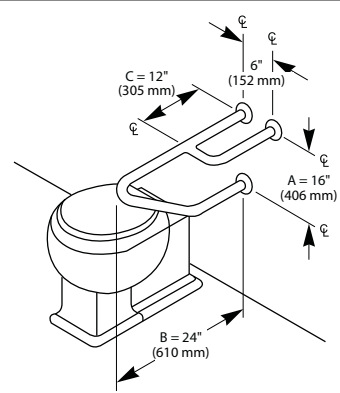


## 115



## 116

Opposite 115





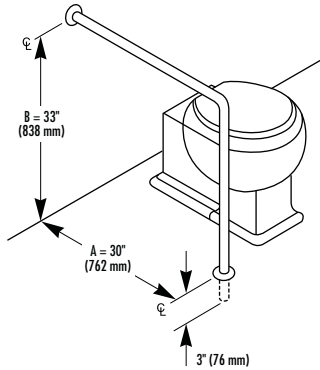
# Typical Water Closet Applications

## 054

30" x 33" (762 mm x 838 mm)

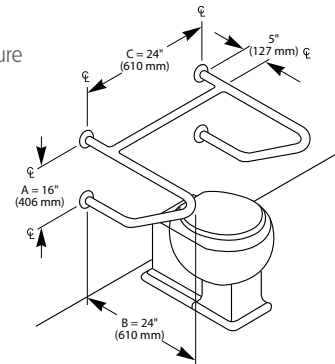
Note: 1" (25 mm) not available for this application.

Select dimensions can support up to 1,000 lb (454 Kg).



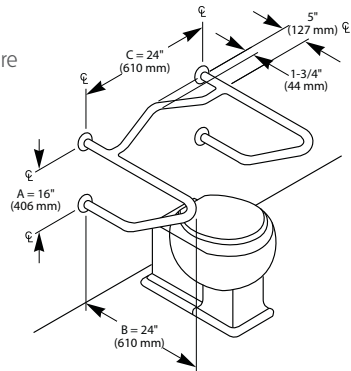
## 117

Confirm clearance between fixture or plumbing and grab bar in individual applications.



## 118

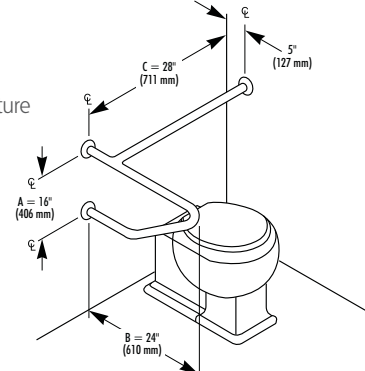
Confirm clearance between fixture or plumbing and grab bar in individual applications.



## 119

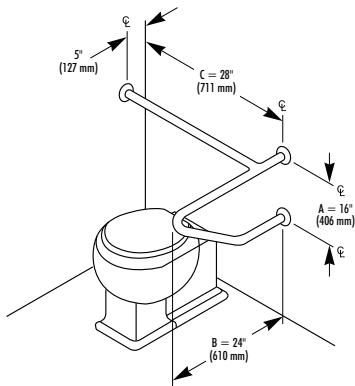
(Shown)

Confirm clearance between fixture or plumbing and grab bar in individual applications.



## 120

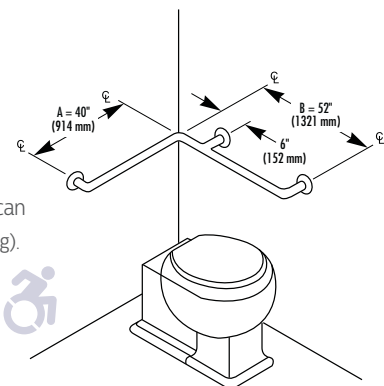
Opposite 119



## 059

Right Handed

For special sizes, specify 059 modified 00" x 00" (mm x mm). B side will have stand off. Select dimensions can support up to 1,000 lb (454 Kg).

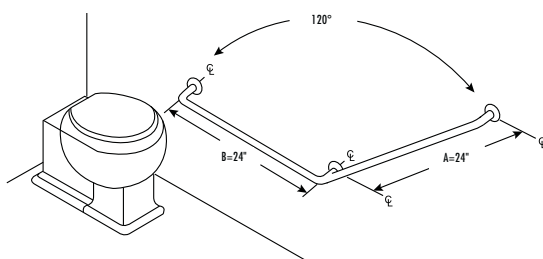


## 058

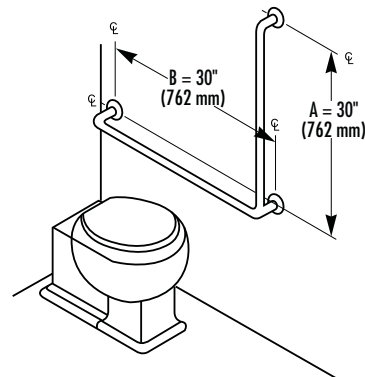
Left Handed (Opposite)

## 055

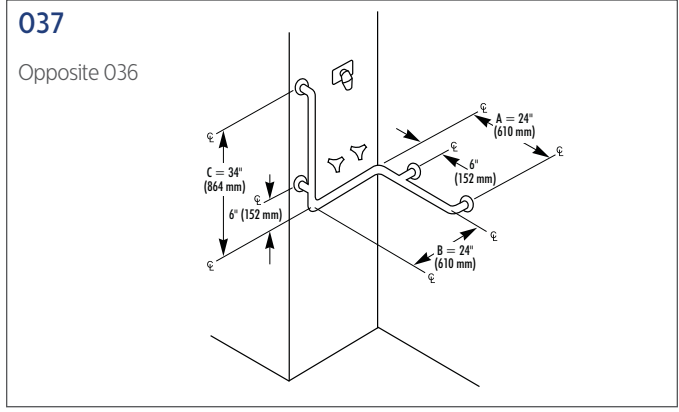
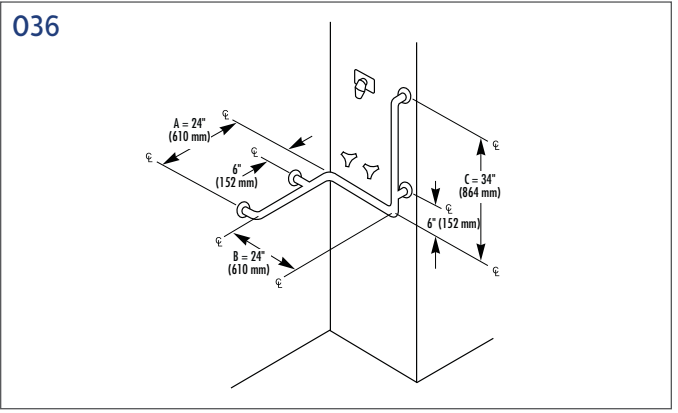
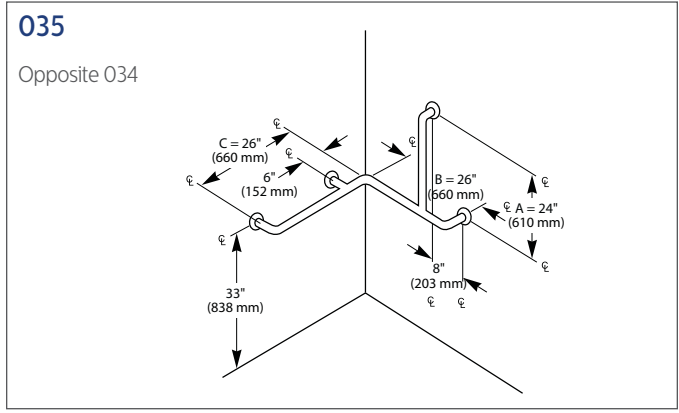
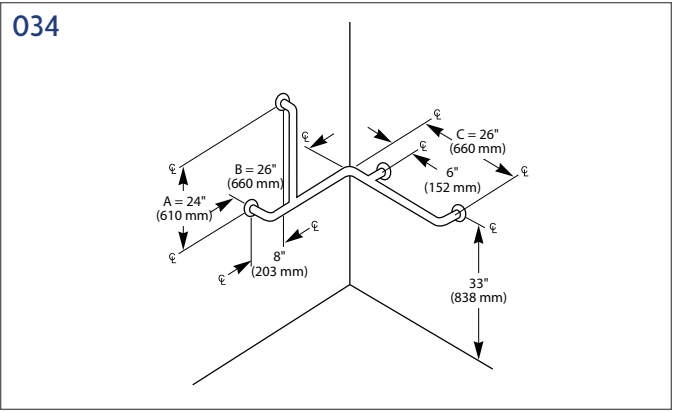
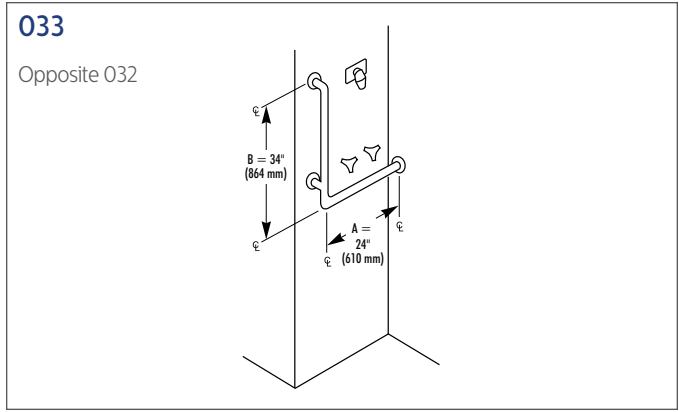
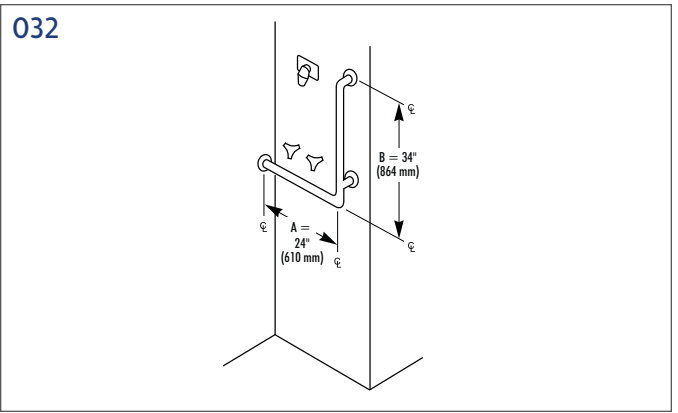
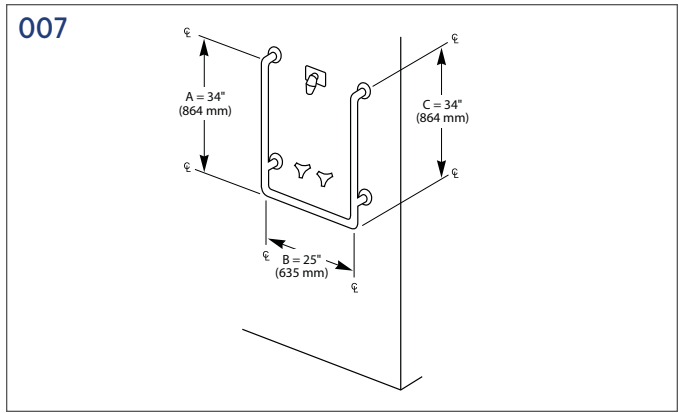
Select dimensions can support up to 1,000 lb (454 Kg).



## 057



## Typical Shower Applications



**060**

Specify 00" x 00" x 00"  
(mm x mm x mm)

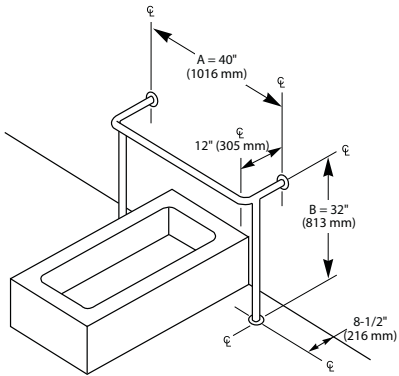
Note: Standard dimensions are 36" x 60" x 36" (914 mm x 1524 mm x 914 mm)

This configuration ships in two pieces which are joined at the coupling. This configuration is UPS-shippable.

Select dimensions can support up to 1,000 lb (454 Kg).

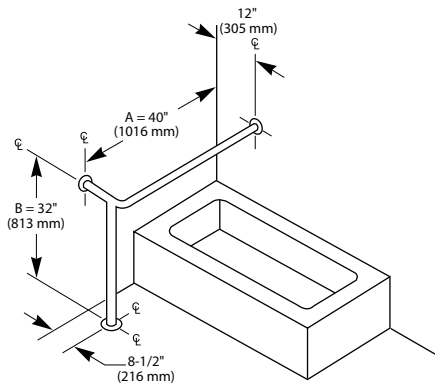
# Typical Tub Applications

021

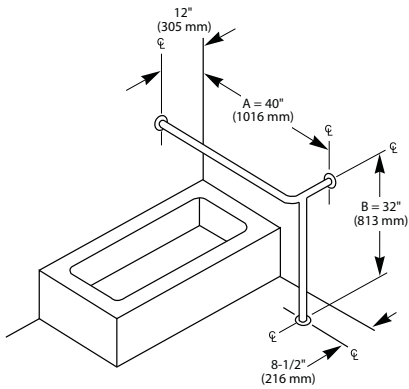


022

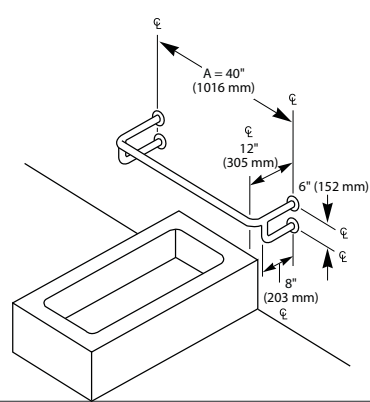
Opposite 023



023

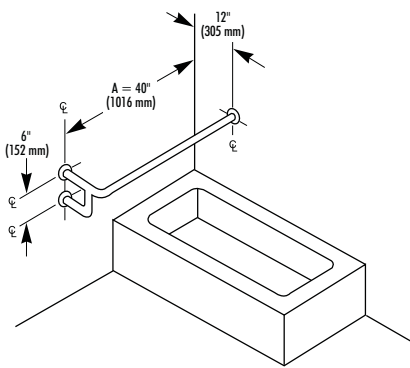


024

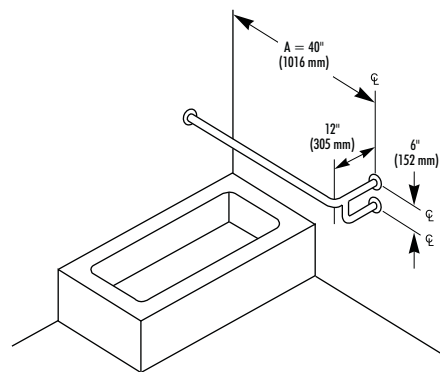


026

Opposite 027

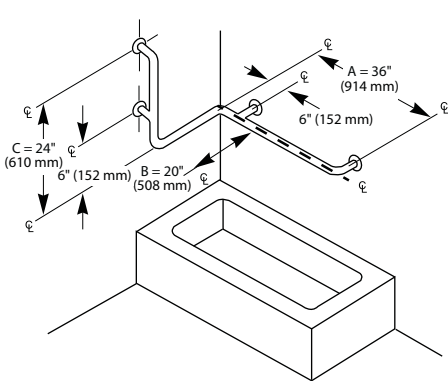


027

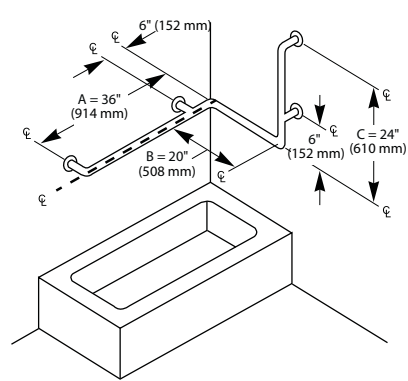


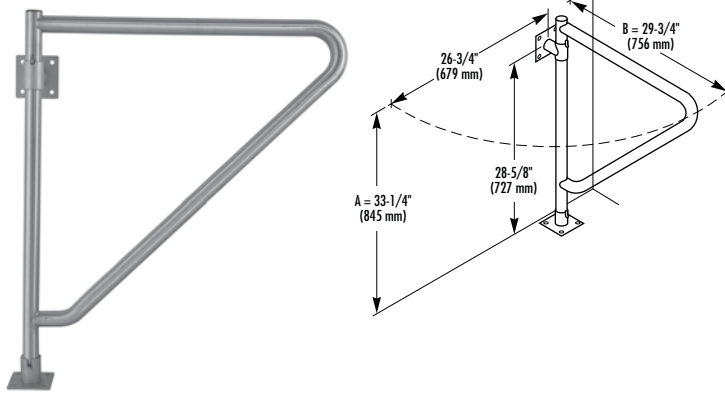
030

Opposite 031



031





## MODEL 8170-158

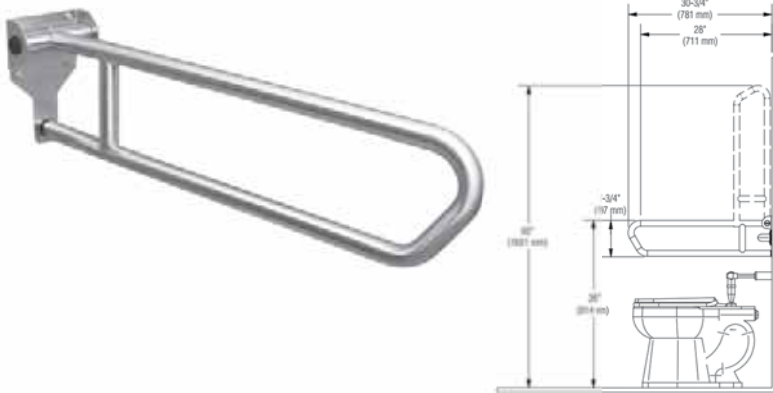
Swing-away grab bar can be rotated to a support or departure position. Locks into support position.

1.5" O.D. (38 mm), 18-gauge stainless steel with exposed surfaces in architectural satin finish. Wall and floor flanges of 0.1875" (5 mm) thick stainless steel plate.

-2 Safety-Grip Finish

## MODEL 8170-1581

With Integral Tissue Dispenser



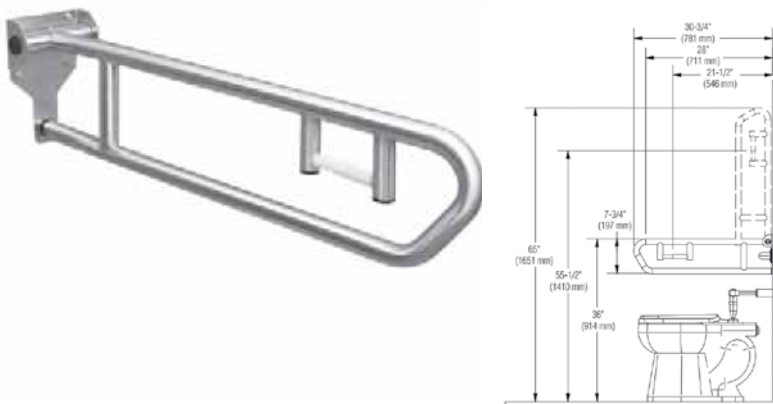
## NEW MODEL 8370-104



Swing-up grab bar swings up when not in use. Designed to prevent it from accidentally falling into position. Operates with less than 5 lb (2.3 Kg) of force.

1.25" O.D. (32 mm), 18-gauge stainless steel with exposed surfaces in architectural satin finish. Bar projects 30" (762 mm) from wall when in horizontal position. Sleek, smaller wall-plate to comply with state of CT ICC/ANSI A117.1 - 2003

-2 Safety-Grip Finish



## NEW MODEL 8370-105



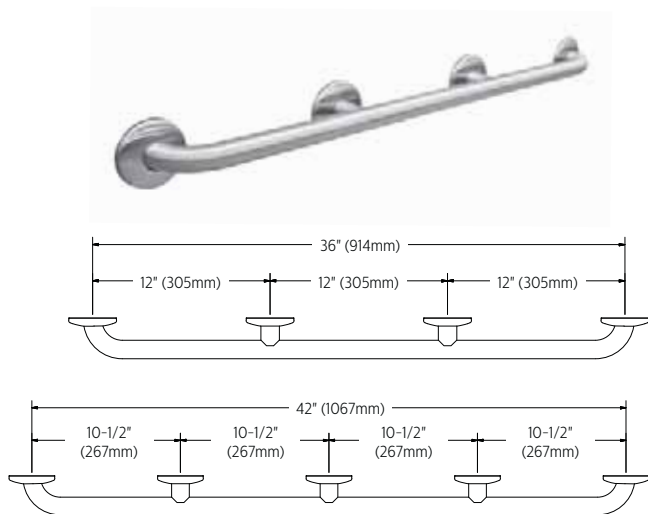
Swing-up grab bar with integral tissue dispenser. Swings up when not in use. Operates with less than 5 lb (2.3 Kg) of force.

1.25" O.D. (32 mm), 18-gauge stainless steel with exposed surfaces in architectural satin finish. Tissue dispenser spindle of ABS plastic with concealed spring. Bar projects 30" (762 mm) from wall when in horizontal position. Sleek, smaller wall-plate to comply with state of CT ICC/ANSI A117.1 - 2003

-2 Safety-Grip Finish



Bradley grab bars are now stronger than ever bringing more options to specifiers and designers. Bradley bariatric grab bars are rated to 900 lb, 1000 lb and 1250 lb depending on the model. Now a single grab bar model can be specified for any restroom. Whether it's specifically healthcare or other applications, such as, hospitality, airports or education. A wide selection of grab bar configurations are available to cover a variety of restroom layouts.



**NEW MODEL 8320-106360**



1.25" O.D. (32 mm), 18-gauge stainless steel with exposed surfaces in architectural satin finish. Grab bar is 36" in length with 4 wall flanges that are made of 13 gauge stainless steel. Bent ends of tubing pass thru the flanges and are welded for maximum strength. Intermediate supports are contour cut and joined by welding to form an integral part of the grab bar.

-2 Safety-Grip Finish

**NEW MODEL 8320-106420**



Grab bar is 42" in length with 5 wall flanges that are made of 13 gauge stainless steel.

-2 Safety-Grip Finish

**Configuration Information & Optional Features**

Bariatric Models		852/857	832/837	812/817	8320-106
OD		1"	1-1/4"	1-1/2"	1-1/4"
Rating (LBS)		900	900	1000	1250
Configuration Number	Grab Bar Length	Bariatric Models			
		852/857	832/837	812/817	8320-106
001-12	12"		X	X	
001-18	18"	X	X	X	
001-24	24"	X	X	X	
001-36	36"		X	X	X
001-48	48"		X	X	X
001-54	54"			X	
059	up to 42" x 54"		X	X	
057	30" x 30"		X	X	
054	33" x 30"			X	
055	24" x 24"			X	
060	36" x 60" x 36"			X	

Features	Suffix
Safety-grip finish	-2
High-polish finish	-4
Safety grip with high-polished finish	-7
Antimicrobial finish: 1-1/2" - 001-18", 001-24", & 001-36" only	-AM

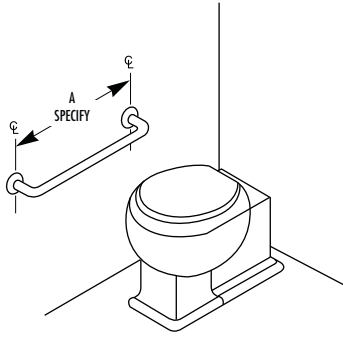
**BX** Standard Finish

**BX** Standard or Safety Grip Finish (-2)

Typical Water Closet Applications

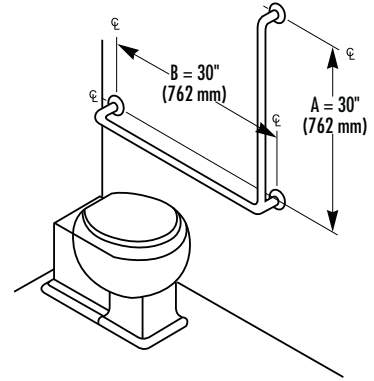
001

Model 812 (54" max)  
 Model 832 (48" max)  
 Model 852 (24" max)



057

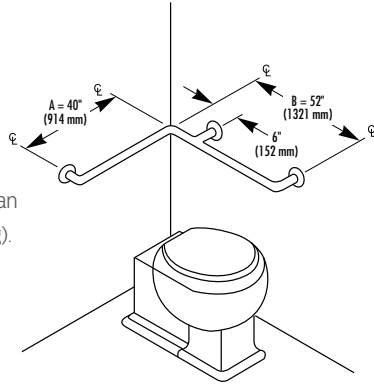
30" X 30"



059

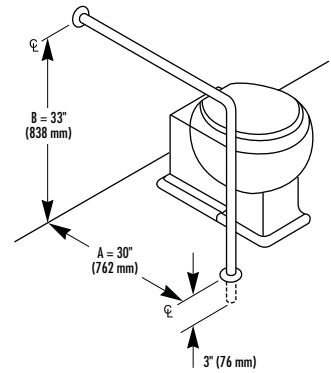
Right Handed

For special sizes, specify  
 059 modified 00" x 00"  
 (mm x mm). B side will have  
 stand off. Select dimensions can  
 support up to 1,000 lb (454 Kg).



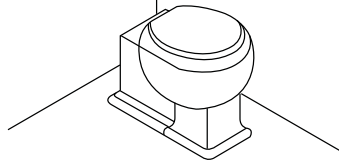
054

30" X 30"



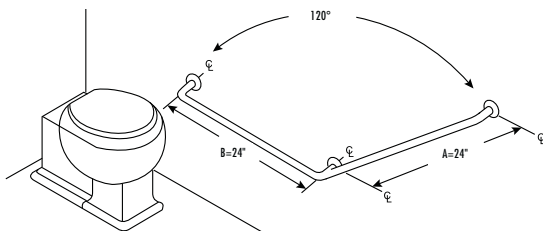
058

Left Handed (Opposite)



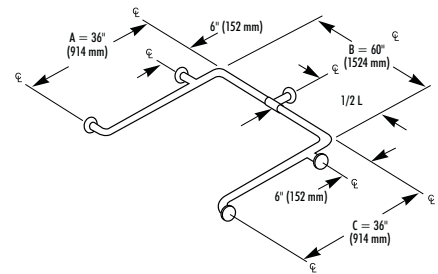
055

24" x 24"



060

This configuration ships  
 in two pieces which are  
 joined at the coupling.  
 This configuration is  
 UPS-shippable.



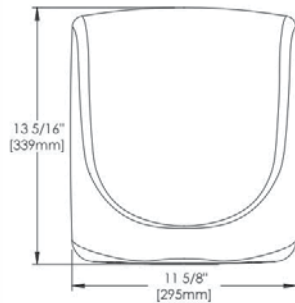


**Clean. Efficient. Fast.** Bradley's complete line of Aerix® hand dryers cover any application or budget. These dryers reduce paper towel and energy costs, protect the environment, keep noise levels down and are easy to use and maintain. **Aerix+** dryers incorporate the latest technology for the fastest drying times available.

Dryer Line	Aerix+			Aerix				
Traffic	Very High			High		Medium		
Model								
	2923-2874 2923-28B 2923-28W	2921-S0000H	2922-2873 2922-2874	2901-2873 2901-2874	2902-2874	2903-2800	2904-2800	2905-2873
Adjustable Speed	•	•	•	•	•			
ADA	•	•			•			
Universal Voltage	•			•	•			
Retrofit	•	•	•	•	•	•	•	•
Vandal Resistant	•	•	•	•	•	•	•	
Drying Time (seconds)	10-12	10-12	10-12	12-15	12-15	29	29	38
Antimicrobial Technology	•	•	•					
HEPA Filtration	•	•						
Application	Any Environment	Stadiums & Arenas, Schools, Transit Stations, Airports	Stadiums & Arenas, Schools, Transit Stations, Airports	Offices, Schools, Libraries, Malls, Theme Parks, Movie Theaters	Malls, Restaurants, Hotels, Spas, Museums, Movie Theaters	Schools, Fast Food Restaurants, Manufacturing Facilities	Schools, Rest Areas, Campgrounds	Childcare Facilities, Religious Facilities, Small Offices

# Hand Dryers

Bradley's Aerix® hand dryers save time, money and headaches. NEW Aerix+ models offer the ultimate in highspeed, high efficiency hand drying. There is an Aerix model to suit every application!



## NEW MODEL 2923-287400

Extremely energy efficient, surface-mounted, ADA compliant hand dryer featuring HEPA filtration system and antimicrobial technology. With adjustable two-speed motor controls and universal voltage features, these new hand dryers accommodate any commercial washroom environment.

Fast drying time

SteriTouch® antimicrobial technology

HEPA filter reduces contaminants in the air when hand drying

Adjustable two-speed controls to customize drying time, sound level and energy savings

1/16" (2 mm) thick one-piece stainless steel; satin finish.

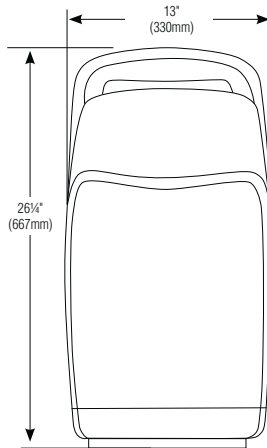
Overall dimensions: 13.3125"H x 11.625"W x 3.875"D (338mm x 295mm x 99mm)

## NEW MODEL 2923-28W000

1/8" (3 mm) thick one-piece aluminum; white epoxy finish

## NEW MODEL 2923-28S000

1/8" (3 mm) thick one-piece aluminum; black epoxy finish



## NEW MODEL 2921-H000



Aerix+ high speed, vertical dual-sided dryer. Surface-mounted. Adjustable speed. High impact ABS cover in silver.

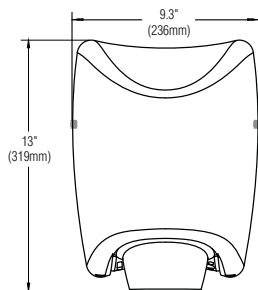
10-12 second dry time

25% greater hand drying opening for more space and comfort

Easy-to-empty water collection reservoir for clean floors and walls

Replaceable HEPA filter

Overall dimensions 13" W x 26.25" H x 9.25" D (330 x 667 x 235 mm)



## MODEL 2922-2873



Aerix+ high speed, vertical dual-sided dryer. Surface-mounted. Adjustable speed. White cast aluminum cover with epoxy paint.

10-12 second dry time

The longest service life of any high speed hand dryer

Uses 40% less energy than any high speed hand dryer

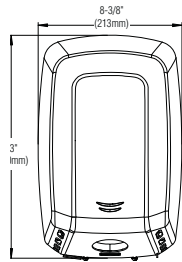
Overall dimensions 9.3" W x 13" H x 7.6" D (236 x 330 x 193 mm)

## NEW MODEL 2922-2874



Surface-mounted. Stainless steel finish cover with satin finish.





## MODEL 2901-2873

**BX**

Surface-mounted. One-piece steel cover with white epoxy finish

12-15 second dry time

Universal voltage

Adjustable speed

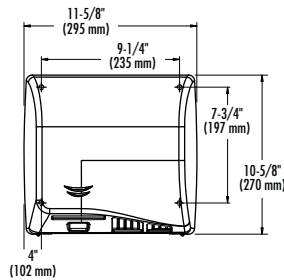
Quieter operation than other dryers on the market

Overall dimensions 8.4" W x 13" H x 6.6875" D (213 x 330 x 170 mm)

## MODEL 2901-2874

**BX**

Surface-mounted. Stainless steel finish cover with satin finish



## MODEL 2902-280000

**BX**

Aerix adjustable speed dryer with 0.1875" (5 mm) thick porcelain cast iron cover, white.

Adjustable speed hand dryer

"No-Touch" sensor operation

12-15 second drying time

Universal voltage

Vandal-resistant

Surface-Mounted, Mounting holes match those of most popular models.

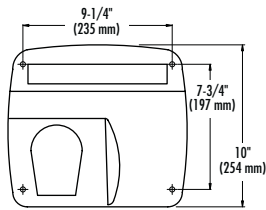
Overall dimensions 11.375" W x 10.6" H x 4" D (289 x 269 x 102 mm)



## MODEL 2902-287300

**BX**

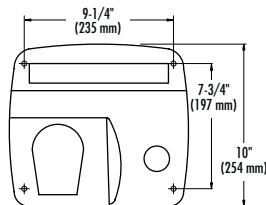
0.0625" (2 mm) thick white enamel coated steel cover



## MODEL 2902-287400

**BX**

0.0625" (2 mm) thick stainless steel cover with satin finish



## MODEL 2903-280000

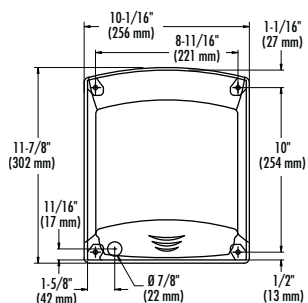
**BX**

Infrared sensor activation. Cast iron cover, white.

29 second drying time.

Surface-mounted, mounting holes match those of most popular models

Overall dimensions 11.125" W x 10" H x 8.25" D (283 x 254 x 210 mm)



## MODEL 2904-280000

**BX**

Push button activation. Cast iron cover, white.

## MODEL 2905-287300

**BX**

Modern design. "No-Touch" sensor activation. Steel cover.

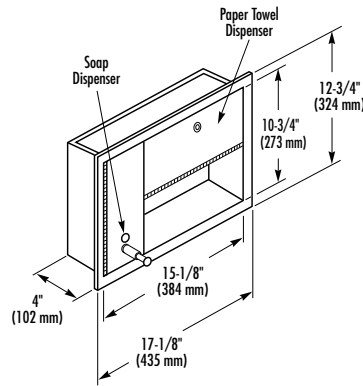
38 second drying time

Ideal for medium-to-low traffic and medium-to-low vandal applications

Overall dimensions 10.167" W x 11.875" H x 5.5" D (258 x 302 x 140 mm)

# Towels & Waste Multi-Purpose

You need options and we have them. Accessories to fit every washroom – and every budget. Contemporary satin finish stainless steel design to match any decor in recessed, semi-recessed and surface-mounted styles. From stylish restaurants and office buildings to schools and recreation centers, Bradley's line of accessories will fit any application.



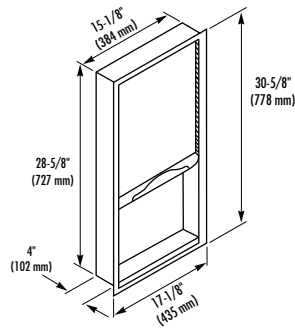
## MODEL 1471



Recessed unit dispenses 250 multi-fold or 150 C-fold towels. Swing out soap dispenser for filling with capacity for 40 oz (1.2 L) of liquid soap. Sight gauge indicates refill time.

Rough wall opening 15.5" W x 11.25" H x 4" D  
(394 x 286 x 102 mm)

-11 Surface-Mounted projects 4" (102 mm) from wall.



## MODEL 155

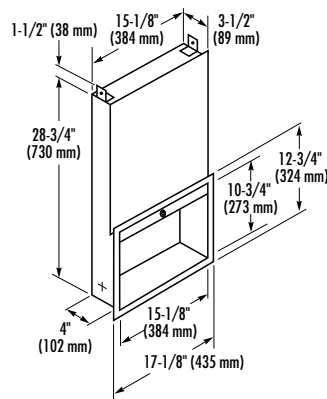


Mirrored door 15" W x 18" H (381 mm x 457 mm). 800 multi-fold or 600 C-fold towel capacity.

Rough wall opening 15.625" W x 29.125" H x 4" D  
(397 x 740 x 102 mm)

-10 Semi-Recessed projects 2" (51 mm) from wall

-11 Surface-Mounted projects 4" (102 mm) from wall



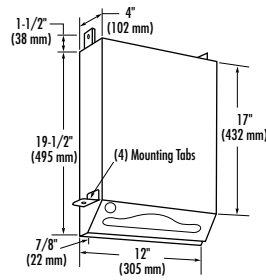
## MODEL 198



For use behind continuous mirror or finished wall. 800 multi-fold or 600 C-fold towel capacity. Lock secured.

Rough wall opening 15.625" W x 30.25" H x 4" D  
(397 x 768 x 102 mm)

Use with 0.5" (13 mm) thick drywall installations.

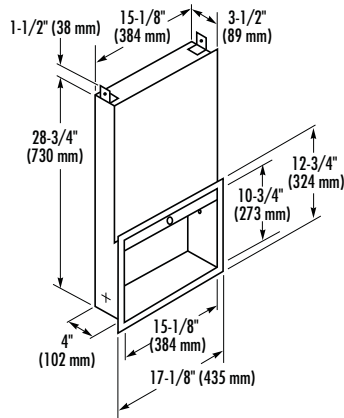


## MODEL 1981



In-wall mounted towel dispenser for use behind mirror. Dispenses 800 multi-fold or 600 C-fold towels. Lock secures behind hinged dispenser lip which opens for bottom refilling.

Rough wall opening 12.5" W x 18.5" H x 4" D  
(318 x 470 x 102 mm)



## MODEL 1985



For use behind continuous mirror or finished wall. 800 multifold or 600 C-fold towel capacity. Lock secures hinged towel dispenser lip which opens for refilling from bottom.

Rough wall opening 15.625" W x 30.25" H x 4" D  
(397 x 768 x 102 mm)

Use with 0.625" (16 mm) thick drywall installations.



## MODEL P10-636



Turn Knob Key changes any lock into a simple knob. Attaches permanently to any Bradley washroom accessory lock.

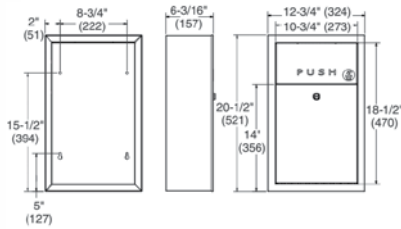
Zinc Die Cast

Satin Chrome Finish

Turns any locked unit into a non-locked unit

# Towels & Waste Receptacles

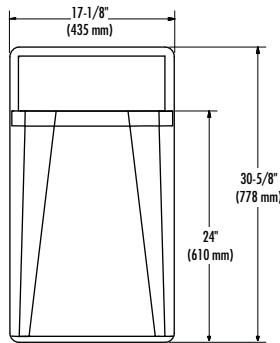
Bradley Waste Receptacles provide convenience and durability. Units are fabricated of stainless steel with exposed surfaces in architectural satin finish. Recessed units feature one-piece, stainless steel flanges of welded construction with seamless corners, burr-free edges and 0.25" (6 mm) return to conceal wall irregularities.



## NEW MODEL 369-11



Surface mounted, 1.7 gal (6.4 L), stainless steel waste receptacle with seamless exposed surfaces in satin finish. Leakproof molded plastic.



## MODEL 3A05



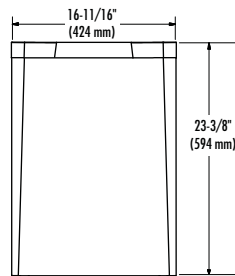
### Diplomat Series

Designed with unique dual-curve geometry. Constructed of architectural satin finish stainless steel. 12 gal (45.4 L), removable, stainless steel waste receptacle. Secured to cabinet with tumbler lock. Recess-mounted.

Rough wall opening 15.75" W x 29.1875" H x 4" D (400 x 741 x 102 mm)

-10 Semi-Recessed 2" (51 mm) in wall, projects 6.6875" (170 mm) from wall

-11 Surface-Mounted projects 8.6875" (221 mm) from wall.



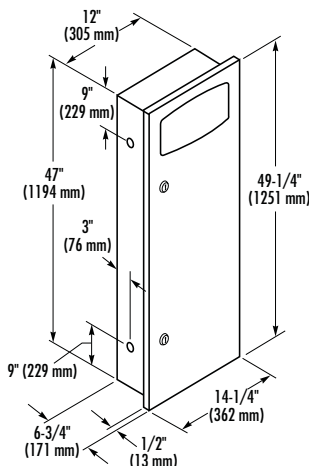
## MODEL 3A15-11



### Diplomat Series

Designed with unique dual-curve geometry. Constructed of architectural satin finish stainless steel. 16.5 gal (62.5 L), stainless steel waste receptacle.

Unit measures 16.6875" W x 23.375" H x 11.6875" D (424 x 594 x 297 mm)



## MODEL 3157



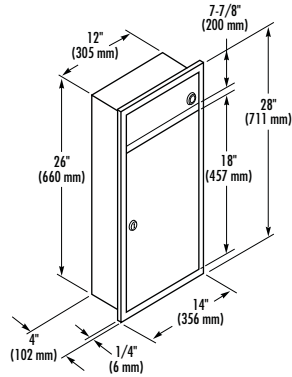
### Contemporary Series

Recessed unit with push-flap door and 9.2 gal (34.8 L), removable, leak-proof, molded-plastic insert.

Rough wall opening 12.5" W x 47.5" H x 6.5" D (318 x 1206 x 165 mm)

-10 Semi-Recessed 3" (76 mm) in wall, projects 3.75" (95 mm) from wall

-11 Surface-Mounted projects 6.75" (171 mm) from wall.



## MODEL 3251

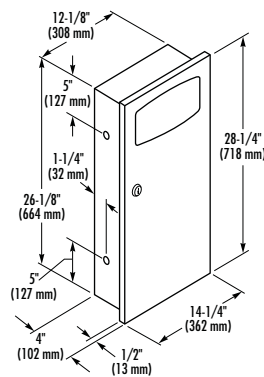


Recessed unit with 2.8 gal (10.6 L), removable, leak-proof, molded-plastic, waste receptacle insert. Tumbler lock. Push-flap door with full-length piano hinge covers receptacle opening.

Rough wall opening 12.5" W x 26.5" H x 4" D (318 x 673 x 102 mm)

-10 Semi-Recessed 2" (51 mm) in wall, projects 2" (51 mm) from wall

-11 Surface-Mounted projects 4" (102 mm) from wall



## MODEL 3257



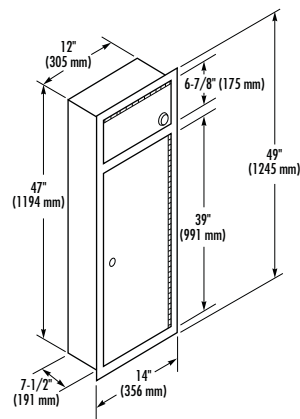
### Contemporary Series

Recessed unit with push-flap door and 2.8 gal (10.6 L), removable, leak-proof, molded-plastic insert.

Rough wall opening 12.625" W x 26.625" H x 4" D (321 x 676 x 102 mm)

-10 Semi-Recessed 2" (51 mm) in wall, projects 2" (51 mm) from wall.

-11 Surface-Mounted projects 4" (102 mm) from wall.



## MODEL 315-35

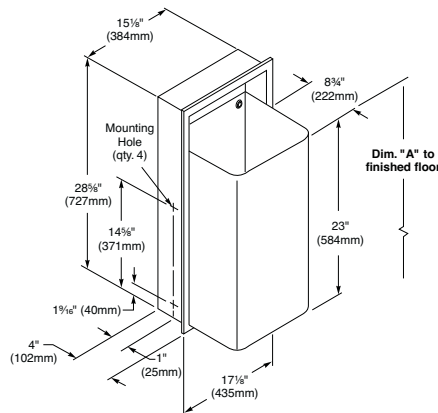


Recessed unit with full-length piano hinge and tumbler lock keyed alike to companion Bradley units. 9.2 gal (34.8 L), removable, leak-proof, molded-plastic insert. Push-flap door with full-length piano hinge covers receptacle opening.

Rough wall opening 12.5" W x 47.5" H x 7.5" D (318 x 1207 x 191 mm)

-10 Semi-Recessed 3.5" (89 mm) in wall, projects 4" (102 mm) from wall.

-11 Surface-Mounted projects 7.5" (191 mm) from wall.



## MODEL 334

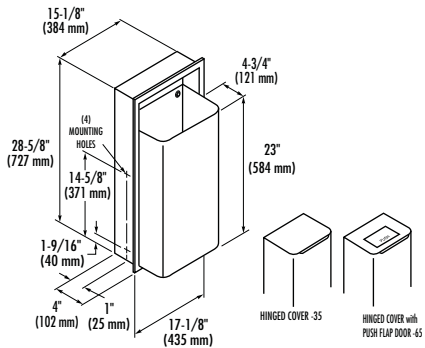


Recessed waste receptacle shall be fabricated of heavy gauge stainless steel with seamless exposed surfaces in satin finish. Removable 18 gal (68.1 L) stainless steel waste receptacle. Heavy-duty vinyl liner is optional. Receptacle secured to cabinet with tumbler lock.

Overall dimensions: 17.125" W x 30.625" H x 12.75" D (435 x 778 x 324 mm)

-10 Semi-Recessed 2" in wall, project 10.75" from wall.

-11 Surface-Mounted projects 12.75" from wall.



## MODEL 344



Recessed, 12-gallon, removable, stainless steel waste receptacle. Secured to cabinet with tumbler lock. Heavy-duty, reusable, 12 gal (45.4 L) liner available as an accessory. Order separately using part number P11-004.

Rough wall opening 15.625" W x 29.125" H x 4" D (397 x 740 x 102 mm)

Receptacle projects 4.75" (121 mm)

-10 Semi-Recessed 2" (51 mm) in wall, projects 6.75" (171 mm) from wall **BX**

-11 Surface-Mounted projects 8.6875" (221 mm) from wall **BX**

## MODEL 344-35

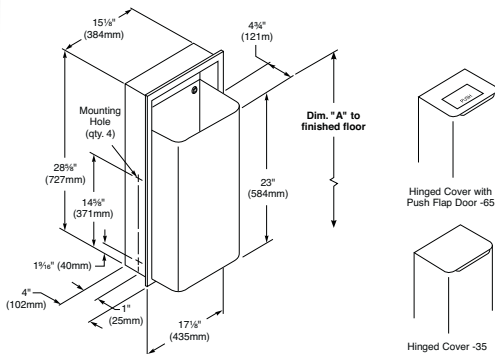


Hinged Cover Unit

## MODEL 344-65



Push-Flap Door Unit



## MODEL 346

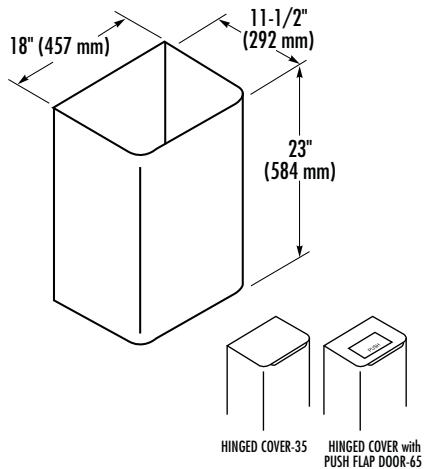


Recessed waste receptacle made of heavy gauge stainless steel with seamless exposed surfaces and tumbler lock. in satin finish. Removable 12 gal (45.4 L) stainless steel waste receptacle. Heavy-duty vinyl liner is optional. tumbler lock.

Rough wall opening 15.625"W x 29.125" H x 6" D (397 x 740 x 102 mm)

-10 Semi-Recessed 4" (102 mm) in wall, projects 4.75" (121 mm) from wall **BX**

-11 Surface-Mounted projects projects 8" (222 mm) from wall.



## MODEL 355



Surface mounted, 20.6 gal (78 L), stainless steel waste receptacle. Heavy-duty, reusable, 20.6 gal (78 L) liner available as an accessory. Order separately using part number P11-005.

Unit measures 18" W x 23" H x 11.5" D (457 x 584 x 292 mm)

## MODEL 355-35

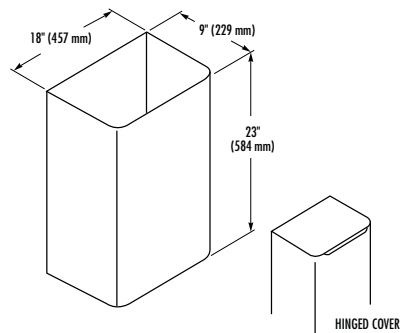


Hinged Cover Unit

## MODEL 355-65



Hinged Cover with Push Flap Door



### MODEL 356



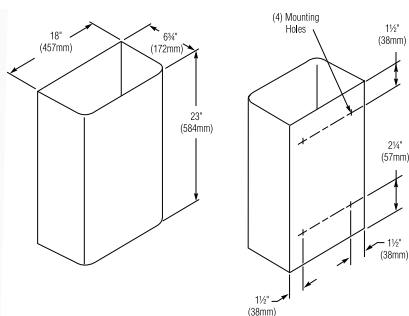
16.5 gal (62.5L), stainless steel waste receptacle. Heavy-duty, reusable, 16.5 gal (62.5L) liner available as an accessory. Order separately using part number P11-006.

Unit measures 18" W x 23" H x 9" D (457 x 584 x 229 mm)

### MODEL 356-35



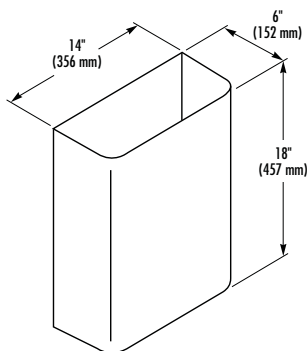
Hinged Cover Unit



### MODEL 3565



12 gal (45.4 L), stainless steel waste receptacle.



### MODEL 357



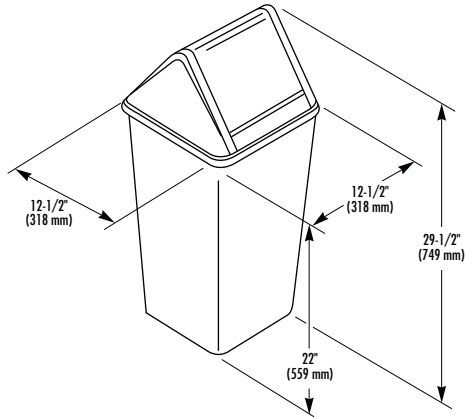
6.5 gal (24.6 L), stainless steel waste receptacle. Heavy-duty, reusable, 6.5 gal (24.6 L) liner available as an accessory. Order separately using part number P11-007.

Unit measures 14" W x 18" H x 6" D (356 x 457 x 152 mm)

### MODEL 357-35



Hinged Cover Unit



## MODEL 377



Freestanding, 13 gal (49.2 L), stainless steel waste receptacle

Removable swing top

Unit measures 29.5" H x 12.5" SQ (749 x 318 mm)

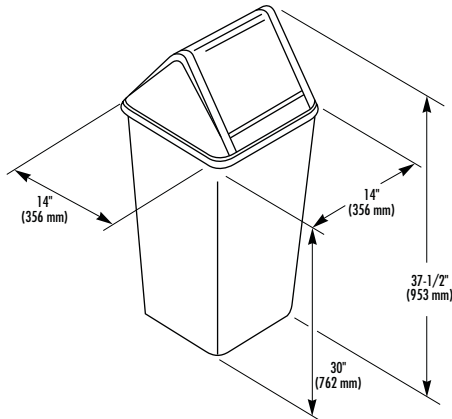
## MODEL 377-37



Less Swing Top

## MODEL P15-025

Cover Only



## MODEL 377-36



Freestanding, 21 gal (79.5 L), stainless steel waste receptacle

Removable swing top

Unit measures 37.5" H x 14" SQ (953 x 356 mm)

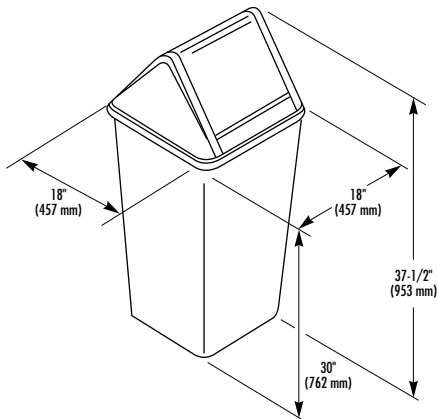
## MODEL 377-3637



Less Swing Top

## MODEL P15-098

Cover Only



## MODEL 377-38



Freestanding, 36 gal (136.3 L), stainless steel waste receptacle

Removable swing top

Unit measures 37.5" H x 18" SQ (953 x 457 mm)

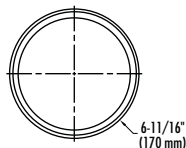
## MODEL 377-3738



Less Swing Top

## MODEL P15-195

Cover Only



## MODEL P10-696

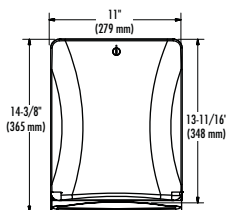
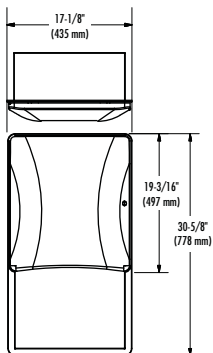
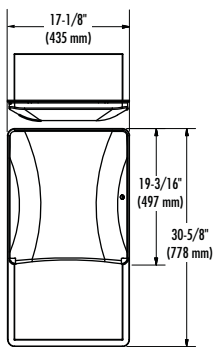
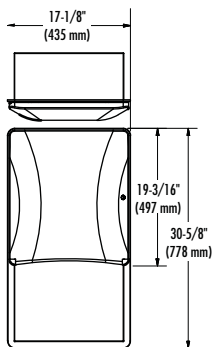
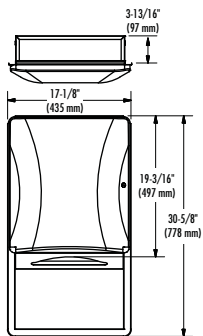


Unit fabricated of stainless steel of drawn seamless construction and bright polished finish

Countertop rough-in 6" (152 mm) diameter hole

Overall dimensions 6.75" (171 mm) diameter x 3.5" (89 mm) D





### MODEL 2A00



**Diplomat Series**

Designed with unique dual-curve geometry. Constructed of architectural satin finish stainless steel. Dispenses 800 multi-fold or 600 C-fold towels.

Rough wall opening 15.5" W x 29.125" H x 4" D (394 x 740 x 102 mm)

-10 Semi-Recessed 2" (51 mm) in wall, projects 4.5625" (116 mm) from wall.

### MODEL 2A01



**Diplomat Series**

Lever operated towel dispenser delivers preset length of towel (5.5" (140 mm) per stroke). Towel dispenser capacity is one standard core 8" (203 mm) W x 8" (203 mm) diameter standard roll paper towels.

Rough wall opening 15.5" W x 29.125" H x 9.75" D (394 x 740 x 248 mm)

-10 Semi-Recessed 4" (102 mm) in wall, projects 8.5" (216 mm) from wall.

-11 Surface-Mounted projects 12.5" (318 mm) from wall.

### MODEL 2A02



**Diplomat Series**

Sensor-activated roll paper towel dispenser delivers 10" (254 mm) per operation. Towel dispenser capacity is one standard core 8" (203 mm) W x 8" (203 mm) diameter standard roll paper towels.

Rough wall opening 15.5" W x 29.125" H x 9.75" D (394 x 740 x 248 mm)

-10 Semi-Recessed 4" (102 mm) in wall, projects 8.5" (216 mm) from wall.

-11 Surface-Mounted projects 13.25" (337 mm) from wall.

### MODEL 2A09



**Diplomat Series**

Designed with unique dual-curve geometry. Constructed of architectural satin finish stainless steel. Designed for field installation of customer-provided towel dispenser. Suggested use with 2496 and 2497.

Rough wall opening 15.5" W x 29.125" H x 9.75" D (394 x 740 x 248 mm)

-10 Semi-Recessed 4" (102 mm) in wall, projects 8.5" (216 mm) from wall.

-11 Surface-Mounted projects 13.25" (337 mm) from wall.

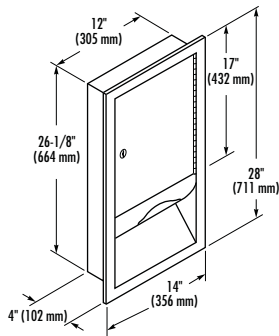
### MODEL 2A10-11



**Diplomat Series**

Designed with unique dual-curve geometry. Constructed of architectural satin finish stainless steel. Surface-mounted, paper towel dispenser. Dispenses 800 multi-fold or 600 C-fold towels.

Unit measures 11" W x 14.375" H x 5.25" D (279 x 365 x 133 mm)



## MODEL 244

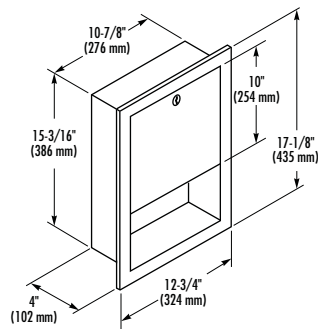


Constructed of architectural satin finish stainless steel. Dispenses 800 multi-fold or 600 C-fold towels.

Rough wall opening 12.5" W x 26.625" H x 4" D (318 x 676 x 102 mm)

-10 Semi-Recessed 2" (51 mm) in wall, projects 2" (51 mm) from wall

-11 Surface-Mounted projects 4" (102 mm) from wall



## MODEL 2441

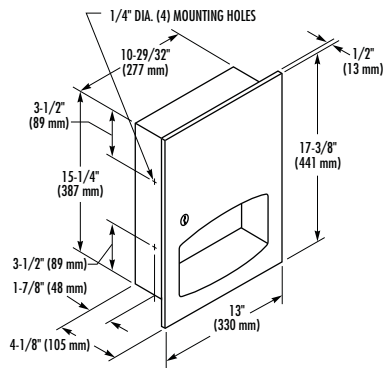


Constructed of architectural satin finish stainless steel. Dispenses 475 multi-fold or 350 C-fold towels.

Rough wall opening 11.375" W x 15.6875" H x 4" D (289 x 398 x 102 mm)

-10 Semi-Recessed 2" (51 mm) in wall, projects 2" (51 mm) from wall

-11 Surface-Mounted projects 4" (102 mm) from wall



## MODEL 2442



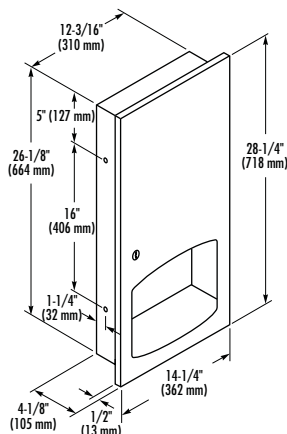
### Contemporary Series

Constructed of architectural satin finish stainless steel. Dispenses 400 multi-fold or 300 C-fold towels.

Rough wall opening 11.40625" W x 15.75" H x 4" D (290 x 400 x 102 mm)

-10 Semi-Recessed 2.125" (54 mm) in wall, projects 2" (51 mm) from wall

-11 Surface-Mounted projects 4.125" (105 mm) from wall



## MODEL 2447



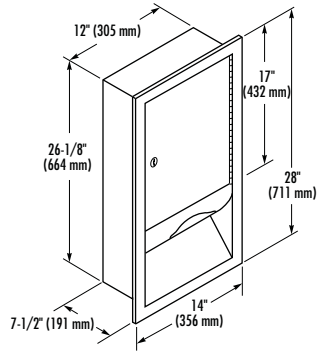
### Contemporary Series

Constructed of architectural satin finish stainless steel. Dispenses 800 multi-fold or 500 C-fold towels.

Rough wall opening 12.6875" W x 26.625" H x 4" D (322 x 676 x 103 mm)

-10 Semi-Recessed 1.625" (41 mm) in wall, projects 2.5" (64 mm) from wall

-11 Surface-Mounted projects 4.125" (105 mm) from wall



## MODEL 247

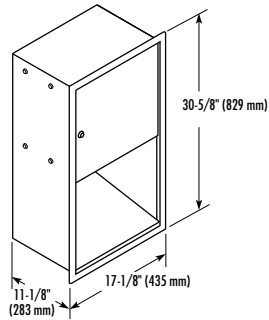


Constructed of architectural satin finish stainless steel. Dispenses single-fold, 800 multi-fold or 500 C-fold towels.

Rough wall opening 12.5" W x 26.625" H x 7.5" D (318 x 676 x 191 mm)

-10 Semi-Recessed 3.5" (89 mm) in wall, projects 4" (102 mm) from wall.

-11 Surface-Mounted projects 7.5" (191 mm) from wall.



## MODEL 2479



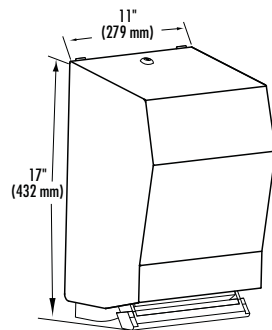
Constructed of architectural satin finish stainless steel.

Dispenses one standard core center pull towel roll up to 9" x 9" (229 mm x 229 mm) diameter.

Rough wall opening 15.1875" W x 28.75" H x 11.125" D (386 x 730 x 283 mm)

-10 Semi-Recessed 3.5" (89 mm) in wall, projects 8" (203 mm) from wall.

-11 Surface-Mounted projects 11-3/8" from wall.

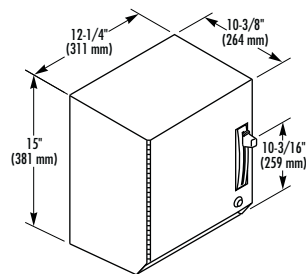


## MODEL 2482-11



Constructed of architectural satin finish stainless steel. Surface-mounted, roll paper towel dispenser. Push-bar operated. Baked-enamel towel dispenser mechanism. Unit dispenses non-perforated roll towels up to 8" (203 mm) in diameter and 8" (203 mm) wide with core sizes from 1.5" (38 mm) to 2" (51 mm).

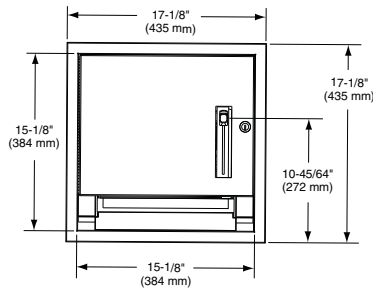
Unit measures 11" W x 17" H x 10.5" D (279 x 432 x 267 mm)



## MODEL 2483

Constructed of architectural satin finish stainless steel. Surface-mounted, roll paper towel dispenser. Lever operated. Dispenses one standard core 8" (203 mm) or 9" (229 mm) wide x 800' (243.9 M) long paper towel roll.

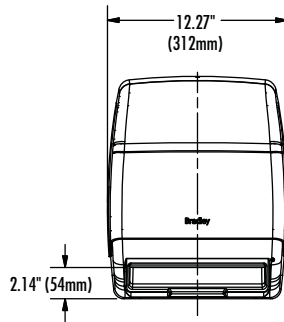
Unit measures 12.25" W x 15" H x 10.375" D (311 x 381 x 264 mm)



## MODEL 2484

Recessed or semi-recessed towel dispenser constructed of stainless steel with exposed surfaces in satin finish. Cabinet door secured with full length piano hinge and tumbler lock. Towel dispenser operated with less than 5 lb (2.3 Kg) of force. Dispenses one standard core 8" (203 mm) or 9" (229 mm) wide x 800' (243.9 M) long paper towel roll.

Unit measures 17.125" W x 17.125" H x 10.5" D (435 x 435 x 267 mm)

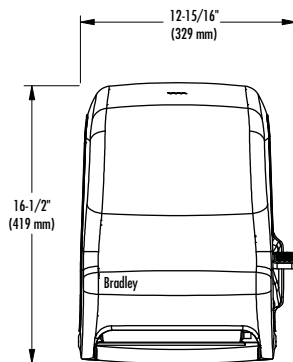


## MODEL 2494



Constructed of high impact material. Door is translucent, and fabricated from durable high-impact plastic. Dispenses nonperforated roll towels up to 8" (203 mm) in diameter and 8" (203 mm) wide with core sizes from 1.5" (38 mm) to 2" (51 mm). Dispenser also allows for 3" (76 mm) diameter stub roll. Operates with 4 "D" size alkaline batteries. Batteries are not included. Automatic transfer system will integrate stub roll when the primary is nearly depleted. Low battery indicator. Sheet is fully protected until dispensed. The transfer system, roll holders and door are field replaceable. Complies with FCC regulation on EMC.

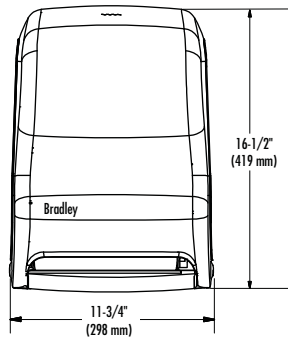
Unit measures 12.4375" W x 15.75" H x 9.5" D (316 x 400 x 241 mm)



## MODEL 2495

Constructed of high-impact plastic. Black translucent cover with speckled gray base. Black plastic handle is treated with Bio-Pruf® to inhibit bacteria growth. Dispenses one 8" (203 mm) wide paper towel roll and one 4" (102 mm) partial (stub) roll. 1.5" (38 mm) core diameter. Lever-operated dispensing mechanism will provide an adjustable means to dispense a nominal 5" (127 mm), 4" (102 mm) or 2.5" (64 mm) of toweling per lever stroke. Toweling will only be dispensed with the downward stroke of the lever.

Unit measures 12.9375" W x 16.5" H x 9.25" D (329 x 419 x 235 mm)

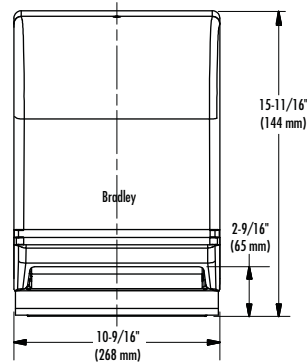


## MODEL 2496

**BX**

Constructed of high impact material. Door is translucent, and fabricated from durable high-impact plastic. Dispenses nonperforated roll towels up to 8.5" (216 mm) in diameter and 8" (203 mm) wide with core sizes from 1.5" (38 mm) to 2" (51 mm). Dispenser also allows for 4" (102 mm) diameter stub roll. A 10" (254 mm) towel will be dispensed every time the sensor is activated. Operates with 4 "D" size alkaline batteries (not included). Automatic transfer system will integrate stub roll when the primary is nearly depleted. A flashing red indicator light indicates that batteries need to be replaced.

Unit measures 11.75" W x 16.5" H x 9.25" D (298 x 419 x 235 mm)

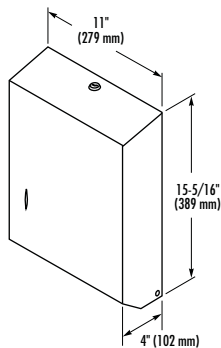


## MODEL 2497

**BX**

Constructed of high-impact plastic. Fiberglass-reinforced ABS plastic push lever. Dispenses non-perforated paper towels from 8" (203 mm) wide roll with core sizes from 1.5" (38 mm) to 2" (51 mm) diameter. Dispenser also allows for 4" (102 mm) diameter stub roll. The push lever dispensing mechanism delivers 5.5" (140 mm) of toweling with each stroke.

Unit measures 10.5625" W x 15.6875" H x 8.625" D (268 x 398 x 219 mm)



## MODEL 250-15

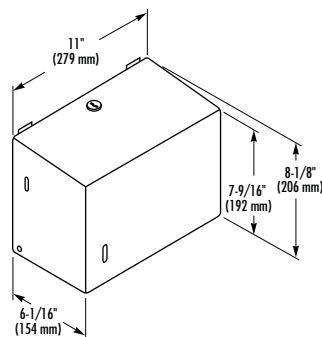
**BX**

Constructed of architectural satin finish stainless steel. Surfacemounted, paper towel dispenser. Dispenses 525 multi-fold or 400 C-fold towels. Tumbler lock and bottom hinged. Refill indicator on cabinet face.

Unit measures 11" W x 15.3125" H x 4" D (279 x 389 x 102 mm)

-33 White Enamel Finish

-1578 Bright Polish Finish



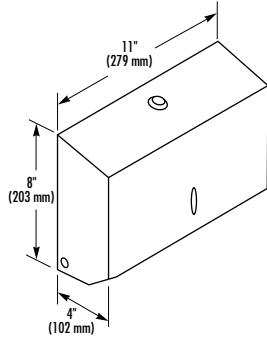
## MODEL 251-15

**BX**

Constructed of architectural satin finish stainless steel. Surfacemounted, paper towel dispenser. Dispenses 400 single-fold towels. Tumbler lock and bottom hinged. Refill indicator on cabinet face.

Unit measures 11" W x 8.125" H x 6.0625" D (279 x 206 x 154 mm)

-33 White Enamel Finish



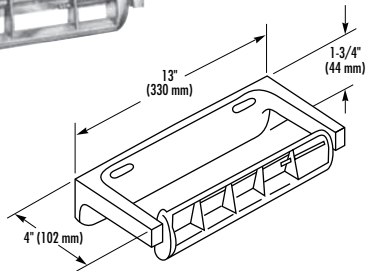
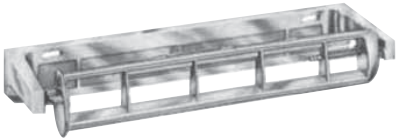
## MODEL 252



Constructed of architectural satin finish stainless steel. Surfacemounted, paper towel dispenser. Dispenses 350 multi-fold or 200 C-fold towels. Cabinet secured with tumbler lock and hinges at bottom. Refill indicator on cabinet face.

Unit measures 11" W x 8" H x 4" D (279 x 203 x 102 mm)

-78 Bright Polish Finish

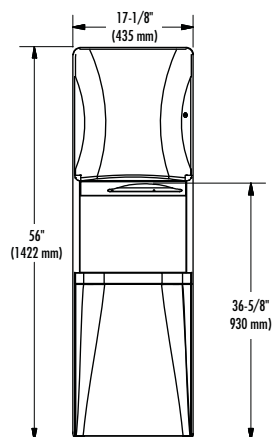


## MODEL 259



Surface-mounted, roll paper towel dispenser. Constructed of die-cast aluminum. Controlled delivery mechanism. Spring allows spindle to be released for filling. Holds one standard core roll paper towels to 6" (152 mm) diameter x 11" (279 mm) wide.

Unit measures 13" W x 1.75" H x 4" D (330 x 44 x 102 mm)



## MODEL 2A05



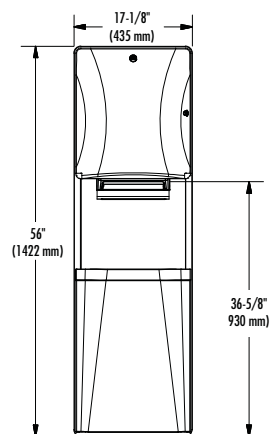
### Diplomat Series

Designed with unique dual-curve geometry. Constructed of architectural satin finish stainless steel. Dispenses 800 multifold and 600 C-fold paper towels. 12 gal (45.4 L), stainless steel waste receptacle.

Rough wall opening 15.75" W x 54.5" H x 4" D (400 x 1384 x 102 mm)

-10 Semi-Recessed 2" (51 mm) in wall, projects 6.6875" (170 mm) from wall.

-11 Surface-Mounted projects 8.6875" (221 mm) from wall.



## MODEL 2A15-36



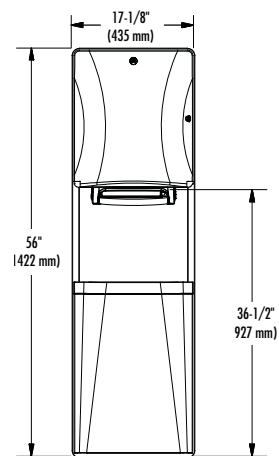
### Diplomat Series

Lever operated towel dispenser delivers preset length of towel (5.5" (140 mm) per stroke). Towel dispenser capacity is one standard core 8" (203 mm) W x 8" (203 mm) diameter standard roll paper towels. 21 gal (79.5 L) stainless steel waste receptacle.

Rough wall opening 15.625" W x 54.625" H x 9.875" D (397 x 1387 x 251 mm)

-1036 Semi-Recessed 4" (102 mm) in wall, projects 10.6875" (271 mm) from wall

-1136 Surface-Mounted projects 14.6875" (373 mm) from wall



## MODEL 2A25-36



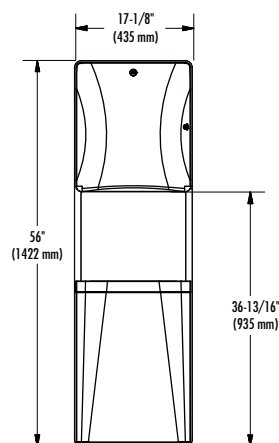
### Diplomat Series

Sensor-activated roll paper towel dispenser delivers 10" (254 mm) per operation. Towel dispenser capacity is one standard core 8" (203 mm) W x 8" (203 mm) diameter standard roll paper towels. 21 gal (79.5 L) stainless steel waste receptacle.

Rough wall opening 15.625" W x 54.625" H x 9.875" D (397 x 1387 x 251 mm)

-1036 Semi-Recessed 4" (102 mm) in wall, projects 10.6875" (271 mm) from wall

-1136 Surface-Mounted projects 14.6875" (373 mm) from wall



## MODEL 2A95-36



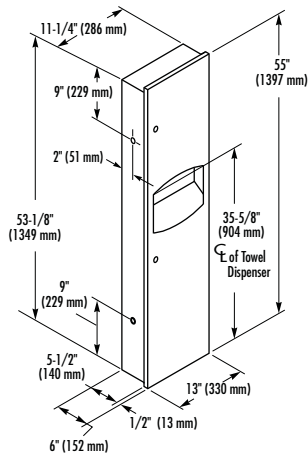
### Diplomat Series

Designed with unique dual-curve geometry. Constructed of architectural satin finish stainless steel. Designed for field installation of customer-provided towel dispenser. Suggested use with 2494, 2496, and 2497. 21 gal (79.5 L) stainless steel waste receptacle.

Rough wall opening 15.625" W x 54.625" H x 9.875" D (397 x 1387 x 251 mm)

-1036 Semi-Recessed 3.5" (89 mm) in wall, projects 9.3125" (237 mm) from wall

-1136 Surface-Mounted projects 12.8125" (325 mm) from wall



## MODEL 2017



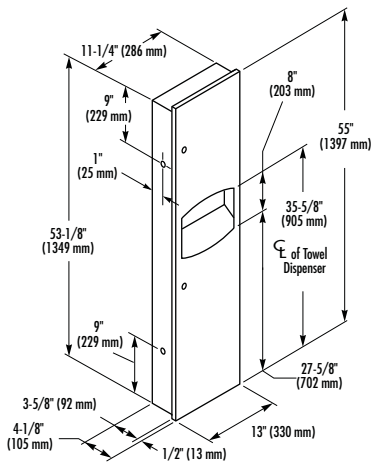
### Contemporary Series

Constructed of architectural satin finish stainless steel. Dispenses 1,100 single-fold, 800 multi-fold or 600 C-fold towels. Waste receptacle has push-flap door and 4.9 gal (18.5 L), removable, molded-plastic insert.

Rough wall opening 11.75" W x 53.625" H x 5.75" D (298 x 1362 x 146 mm)

-10 Semi-Recessed 3.5" (89 mm) in wall, projects 2.5" (64 mm) from wall

-11 Surface-Mounted projects 6" (152 mm) from wall



## MODEL 2027



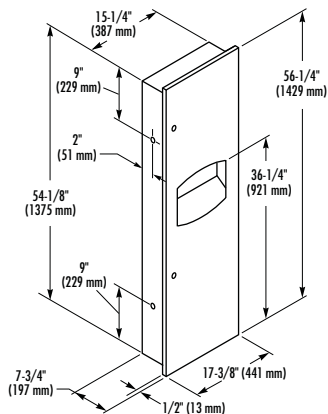
### Contemporary Series

Constructed of architectural satin finish stainless steel. Dispenses 800 multi-fold or 600 C-fold towels. Waste receptacle has 3.3 gal (12.5 L), removable, molded-plastic insert.

Rough wall opening 11.75" W x 53.625" H x 3.75" D (298 x 1362 x 146 mm)

-10 Semi-Recessed 2.375" (60 mm) in wall, projects 2" (51 mm) from wall

-11 Surface-Mounted projects 4.375" (111 mm) from wall



## MODEL 2037



### Contemporary Series

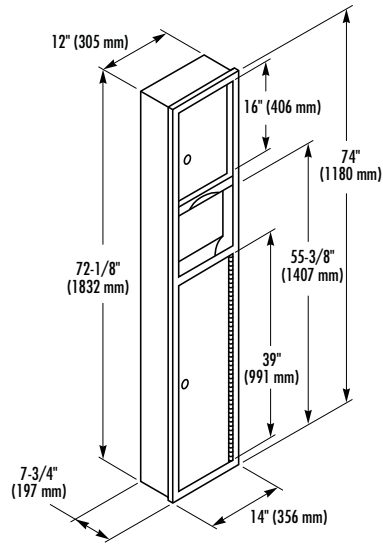
Constructed of architectural satin finish stainless steel. Dispenses 1,100 single-fold, 800 multi-fold or 600 C-fold towels. Waste receptacle has 11.2 gal (42.4 L), removable, molded-plastic insert.

Rough wall opening 15.75" W x 54.625" H x 7.5" D (400 x 1387 x 191 mm)

-10 Semi-Recessed 3.75" (95 mm) in wall, projects 4" (102 mm) from wall

-11 Surface-Mounted projects 7.75" (197 mm) from wall





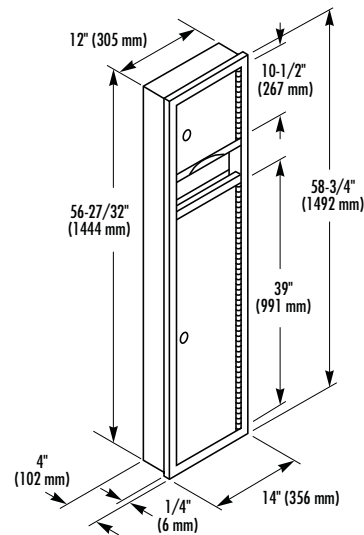
## MODEL 225

Constructed of architectural satin finish stainless steel. Adjustable towel guide dispenses 1,000 single-fold, 800 multi-fold or 600 C-fold towels. Waste receptacle has 9.2 gal (34.8 L), removable, leak-proof, molded-plastic insert.

Rough wall opening 12.5" W x 72.75" H x 7.75" D (318 x 1848 x 197 mm)

-10 Semi-Recessed 3.5" (89 mm) in wall, projects 4" (102 mm) from wall.

-11 Surface-Mounted projects 7.5" (191 mm) from wall.



## MODEL 2251

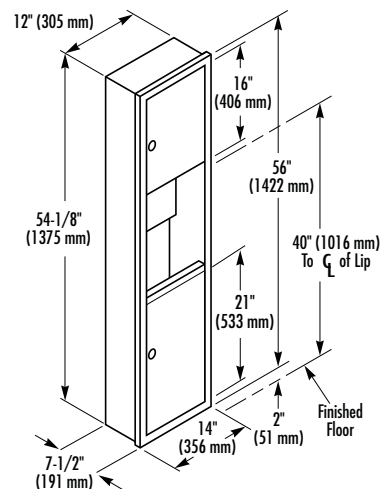


Constructed of architectural satin finish stainless steel. Dispenses 450 multi-fold or 250 C-fold towels. Waste receptacle has 5.3 gal (20.1 L), removable, molded-plastic insert.

Rough wall opening 12.5" W x 57.34375" H x 4" D (318 x 1457 x 102 mm)

-10 Semi-Recessed 2" (51 mm) in wall, projects 2" (51 mm) from wall

-11 Surface-Mounted projects 4" (102 mm) from wall



## MODEL 2252

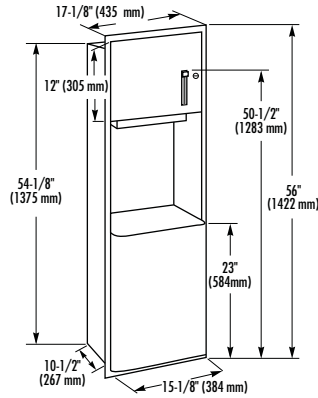


Constructed of architectural satin finish stainless steel. Adjustable towel guide dispenses 1,000 single-fold, 700 multi-fold or 400 C-fold towels. Waste receptacle has 4.9 gal (18.5 L), removable, leak-proof, molded-plastic insert.

Rough wall opening 12.5" W x 54.625" H x 7.5" D (318 x 1387 x 191 mm)

-10 Semi Recessed 3.5" (89 mm) in wall, projects 4" (102 mm) from wall

-11 Surface Mounted projects 7.5" (191 mm) from wall



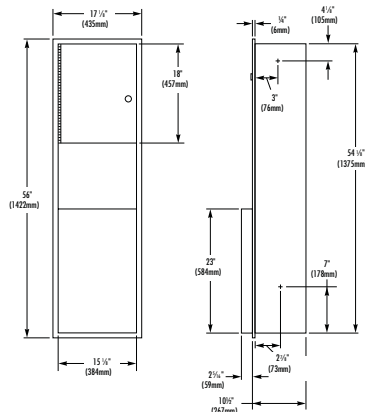
## MODEL 227

Constructed of architectural satin finish stainless steel. Towel dispenser capacity is one standard core 8" (203 mm) or 9" (229 mm) wide x 800' (243.9 M) long paper towel roll. Waste receptacle is 18 gal (68.1 L) removable stainless steel.

Rough wall opening 15.625" W x 54.625" H x 10.5" D (397 x 1387 x 267 mm)

-10 Semi-Recessed 3.5" (89 mm) in wall, projects 9.3125" (237 mm) from wall

-11 Surface-Mounted projects 12.8125" (325 mm) from wall.



## MODEL 2271

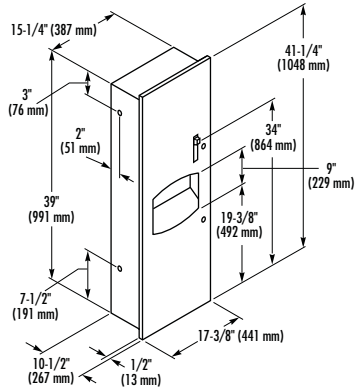
Unit without Roll Towel Mechanism

Designed for field installation of customer-provided towel dispenser. Suggested use with 2494, 2496 or 2497.

Rough wall opening 15.625" W x 54.625" H x 10.5" D (397 x 1387 x 267 mm)

-10 Semi Recessed 3.5" (89 mm) in wall, projects 9.3125" (237 mm)

-11 Surface-Mounted projects 12.8125" (325 mm) from wall



## MODEL 2277



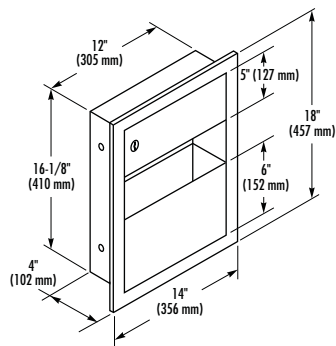
### Contemporary Series

Constructed of architectural satin finish stainless steel. Dispenses one standard core roll 8" (203 mm) or 9" (229 mm) wide x 800' (243.9 M) long paper towel roll. Waste receptacle has 10.5 gal (37.7 L), removable, molded-plastic insert.

Rough wall opening 15.75" W x 39.5" H x 10.25" D (400 x 1003 x 260 mm)

-10 Semi-Recessed 3.5" (89 mm) in wall, projects 7" (178 mm)

-11 Surface-Mounted projects 10.5" (267 mm) from wall.



## MODEL 229

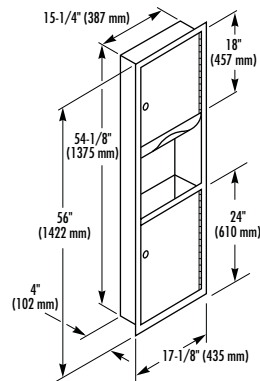
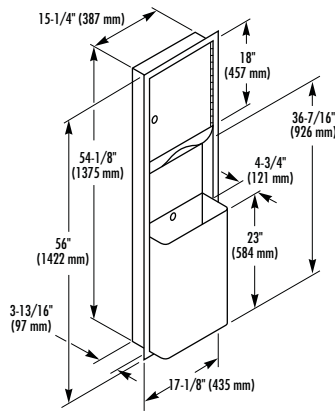
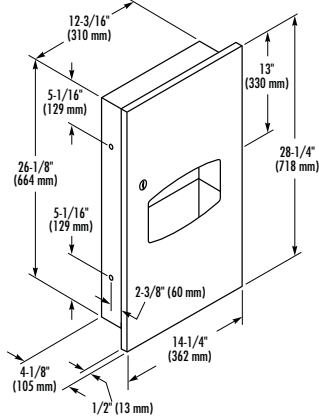
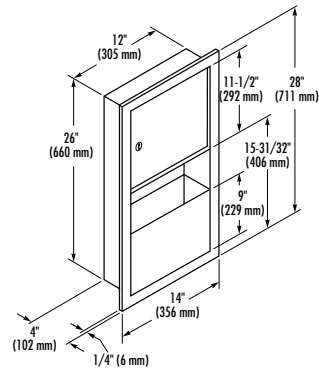


Constructed of architectural satin finish stainless steel. Dispenses 200 multi-fold or 100 C-fold towels. Waste receptacle has 1.25 gal (4.7L), removable, stainless steel insert.

Rough wall opening 12.5" W x 16.5" H x 4" D (318 x 419 x 102 mm)

-10 Semi-Recessed 2" (51 mm) in wall, projects 2" (51 mm) from wall.

-11 Surface-Mounted projects 4" (102 mm) from wall.



## MODEL 2291



Constructed of architectural satin finish stainless steel. Dispenses 475 multi-fold or 350 C-fold towels. Waste receptacle has 2 gal (7.6 L), removable, stainless steel insert.

Rough wall opening 12.5" W x 26.5" H x 4" D (318 x 673 x 102 mm)

-10 Semi-Recessed 2" (51 mm) in wall, projects 2" (51 mm) from wall.

-11 Surface-Mounted projects 4" (102 mm) from wall.

## MODEL 2297



### Contemporary Series

Constructed of architectural satin finish stainless steel. Dispenses 475 multi-fold or 350 C-fold towels. Waste receptacle has 1.7 gal (6.4 L), removable, molded-plastic insert.

Rough wall opening 12.6875" W x 26.625" H x 4" D (322 x 676 x 102 mm)

-10 Semi-Recessed 1.625" (41 mm) in wall, projects 2.5" (64 mm) from wall

-11 Surface-Mounted projects 4.125" (105 mm) from wall

## MODEL 234



Constructed of architectural satin finish stainless steel. Dispenses 800 multi-fold or 600 C-fold towels. 12 gal (45.4 L), stainless steel waste receptacle is secured with tumbler lock.

Rough wall opening 15.75" W x 54.5" H x 4" D (400 x 1384 x 102 mm)

## MODEL 234-35



Hinged Cover

## MODEL 234-36



Large capacity 18 gal (68 L) waste receptacle.

## MODEL 234-65



Push-Flap Door Unit

-10 Semi-Recessed 2" (51 mm) in wall, projects 6.75" (171 mm) from wall

-11 Surface-Mounted projects 8.75" (222 mm) from wall.

## MODEL 235



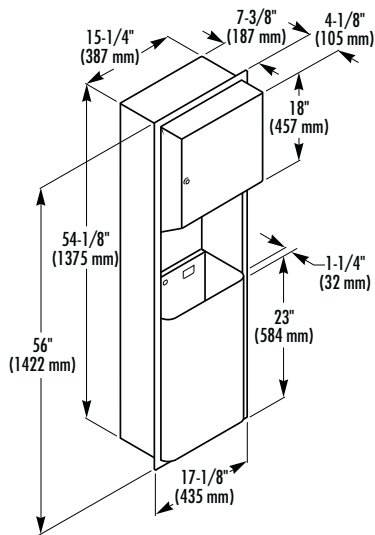
Constructed of architectural satin finish stainless steel. Dispenses 800 multi-fold or 500 C-fold towels. Waste receptacle has 4.9 gal (18.5 L), removable, leak-proof, molded-plastic insert.

Rough wall opening 15.75" W x 54.625" H x 4" D (400 x 1384 x 102 mm)

-10 Semi-Recessed 2" (51 mm) in wall, projects 2" (51 mm) from wall.

-11 Surface-Mounted projects 4" (102 mm) from wall.

# Towels & Waste Combination Units



## MODEL 236

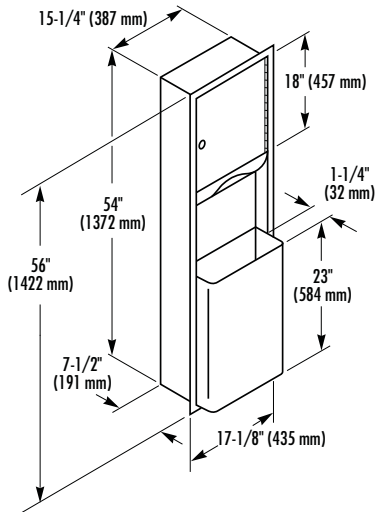


Constructed of architectural satin finish stainless steel. Dispenses one standard center-pull towel roll up to 9" (229 mm) wide x 9" (229 mm) diameter. 12 gal (45.4 L), stainless steel waste receptacle.

Rough wall opening 15.75" W x 54.5" H x 7.5" D (400 x 1384 x 191 mm)

-10 Semi-Recessed 3.625" (92 mm) in wall, projects 7.875" (200 mm) from wall

-11 Surface-Mounted projects 11.5" (292 mm) from wall.



## MODEL 237



Constructed of architectural satin finish stainless steel. Dispenses 1,100 single-fold, 800 multi-fold or 600 C-fold towels. 12 gal (45.4 L), stainless steel waste receptacle.

Rough wall opening 15.75" W x 54.5" H x 7.5" D (400 x 1384 x 191 mm)

-10 Semi-Recessed 3.5" (89 mm) in wall, projects 4" (102 mm) from wall

-11 Surface-Mounted Projects 7.5" (191 mm) from wall

## MODEL 237-35



Hinged Cover

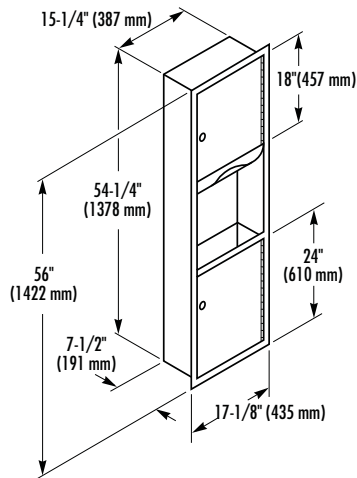
## MODEL 237-36

Large capacity 18 gal (68 L) waste receptacle.

## MODEL 237-65



Push-Flap Door Unit



## MODEL 238

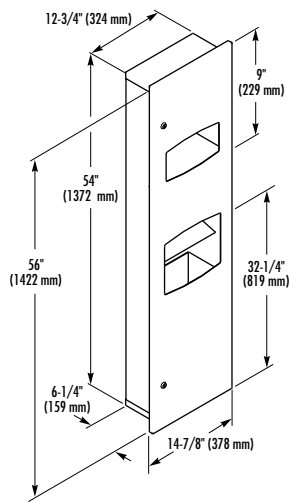


Constructed of architectural satin finish stainless steel. Dispenses 1,100 single-fold, 800 multi-fold or 600 C-fold towels. 8.2 gal (31 L) waste receptacle, removable, leak-proof, molded-plastic insert.

Rough wall opening 15.75" W x 54.75" H x 7.5" D (400 x 1391 x 191 mm)

-10 Semi-Recessed 3.5" (89 mm) in wall, projects 4" (102 mm) from wall

-11 Surface-Mounted projects 7.5" (191 mm) from wall



## MODEL 270

Convenient, space-saving 3-in-1 towel dispenser, hand dryer and waste receptacle. Constructed of architectural satin finish stainless steel. Recessed towel dispenser holds 710 single-fold, 500 multi-fold or 370 C-fold paper towels. Waste receptacle has 4.37 gal (16.5 L) capacity. Hand dryer has sensor activation with universal voltage.

Rough wall opening 13" W x 54.25" H x 5.5" D (330 x 1378 x 140 mm)

Unit measures 14.875" W x 56" H x 6.25" D (378 x 1422 x 159 mm)

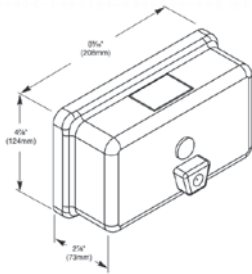
-10 Semi-Recessed 3.5" (89 mm) in wall, projects 2.75" (70 mm) from wall

-11 Surface-Mounted projects 6.25" (159 mm) from wall

-49 For Export CE certified

## Soap Dispensers Wall Mounted

Bradley Soap Dispensers are constructed of stainless steel with exposed surfaces in architectural satin finish. Units feature one-piece, stainless steel flange of welded construction with seamless corners, burr-free edges and 0.25" (6 mm) return to conceal minor wall irregularities. Tumbler locks keyed alike to companion Bradley units.



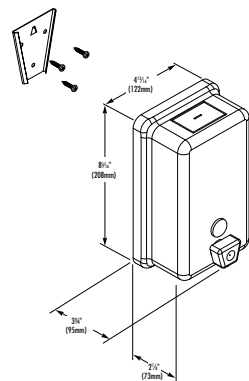
### MODEL 6543



Surface-mounted, vertical, liquid, tank-type soap dispenser of stainless steel with black ABS plastic valve. Holds 40 oz (1183 ml) liquid soap. Push-in type valve. Surface mounting. ADA compliant. Requires less than 5 lb (2.3 Kg) of force to operate. Ideal for higher end hospitality and other commercial restrooms.

Unit measures 4.8125" W x 8.1875" H x 2.875" D (122 x 208 x 73 mm)

Valve projects 2.5" (64 mm) from wall



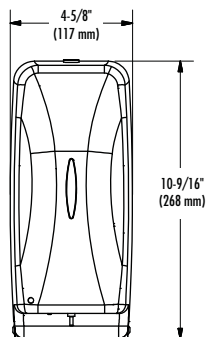
### MODEL 6563



Surface-mounted, vertical, liquid, tank-type soap dispenser of stainless steel with black ABS plastic valve. Holds 40 oz (1183 ml) liquid soap. Push-in type valve. Surface mounting. ADA compliant. Requires less than 5 lb (2.3 Kg) of force to operate. Ideal for higher end hospitality and other commercial restrooms.

Unit measures 4.8125" W x 8.1875" H x 2.875" D (122 x 208 x 73 mm)

Valve projects 2.5" (64 mm) from wall



### MODEL 6A00-11



#### Diplomat Series

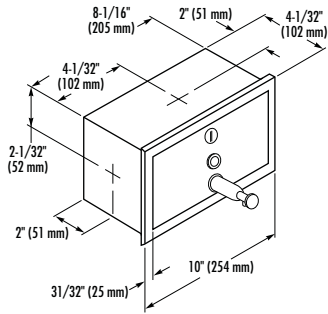
Designed with unique dual-curve geometry. Constructed of architectural satin finish stainless steel. Surface-mounted, automatic, liquid soap dispenser with 27 oz (798 ml) capacity. Can also dispense hand sanitizer. Red light indicates low battery.

Unit measures 4.625" W x 10.5625" H x 4.1875" D (117 x 268 x 106 mm)

### NEW MODEL 6A01-11



Foam soap dispenser with 27 oz (798 mL) capacity



## MODEL 643



Recessed, horizontal, liquid soap dispenser. Stainless steel cabinet with plastic soap vessel. Buna-N check valves to prevent leaking. Slides open for filling. Holds 32 oz (946 ml) liquid soap. Sight gauge on dispenser. Requires less than 5 lb (2.3 Kg) of force to operate.

Rough wall opening 8.5" W x 4.5" H x 4" D (216 x 114 x 102 mm)

## MODEL 644



Vertically mounted unit with stainless steel soap vessel

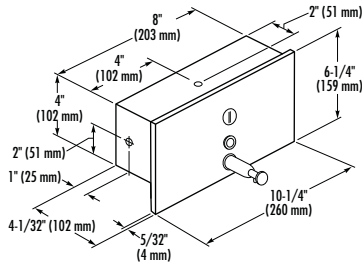
Rough wall opening 4.5" W x 8.5" H x 4" D (114 x 216 x 102 mm)

## MODEL 646



Vertically mounted unit with plastic soap vessel

Rough wall opening 4.5" W x 8.5" H x 4" D (114 x 216 x 102 mm)



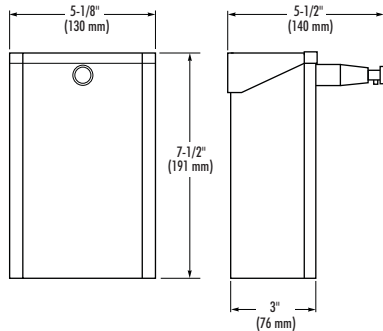
## MODEL 6437



### Contemporary Series

Recessed, liquid soap dispenser of satin-finish stainless steel. Plastic soap vessel holds 32 oz (946 ml) of liquid soap. Sight gauge on dispenser. Requires less than 5 lb (2.3 Kg) of force to operate.

Rough wall opening 8.5" W x 4.5" H x 4" D (216 x 114 x 102 mm)

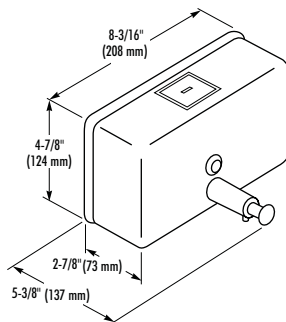


## MODEL 6531



Surface-mounted, stainless steel with architectural satin finish. Locked cover removes for filling. Holds 44 oz (1301 ml) liquid soap. Push-intype valve delivers measured amount of liquid soap.

Rough wall opening 5.125" W x 7.5" H x 3" D (130 x 191 x 76 mm)



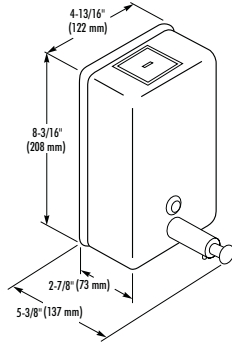
## MODEL 6542



Surface-mounted, horizontal, liquid, tank-type soap dispenser of satin finish stainless steel. Holds 40 oz (1183 ml) liquid soap. Push-in-type valve. Concealed mounting. Requires less than 5 lb (2.3 Kg) of force to operate.

Unit measures 8.1875" W x 4.875" H x 2.875" D

Valve projects 2.5" (64 mm) from wall (208 x 124 x 73 mm)



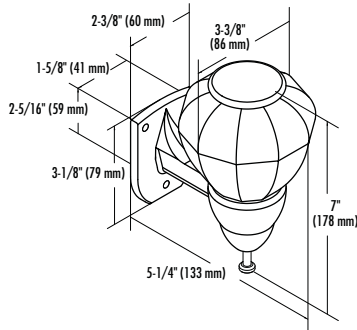
## MODEL 6562



Surface-mounted, vertical, liquid, tank-type soap dispenser of satin finish stainless steel. Holds 40 oz (1183 ml) liquid soap. Push-in-type valve. Concealed mounting. Requires less than 5 lb (2.3 Kg) of force to operate.

Unit measures 4.8125" W x 8.1875" H x 2.875" D (122 x 208 x 73 mm)

Valve projects 2.5" (64 mm) from wall



## MODEL 648

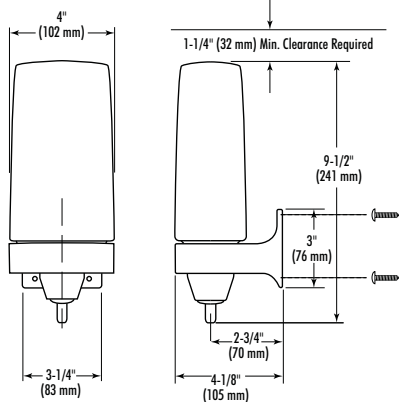


Liquid soap dispenser features chrome-plated bracket, translucent polyethylene globe and push-up-type valve with corrosion-resistant components and vacuum-flow control. Holds 16 oz (473 ml) liquid soap. Swivels for filling.

Unit measures 3.375" W x 7" H x 5.25" D (86 x 178 x 133 mm)

## MODEL 6481

Unit with no swivel (shown)



## MODEL 650

Liquid soap dispenser with push-up-type valve. Translucent polyethylene globe, chrome-plated ABS bracket. Valve is black ABS with stainless steel spring.

Unit measures 4" W x 9.5" H x 4.125" D (102 x 241 x 105 mm)

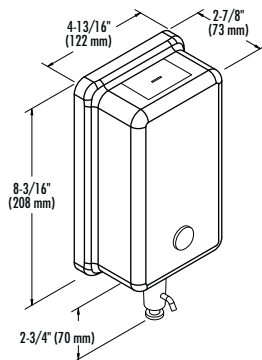
Holds 32 oz (946 ml) diagram shown

## MODEL 6501



Unit measures 4" W x 7.875" H x 4.125" D (102 x 200 x 105 mm)

Holds 24 oz (710 ml)



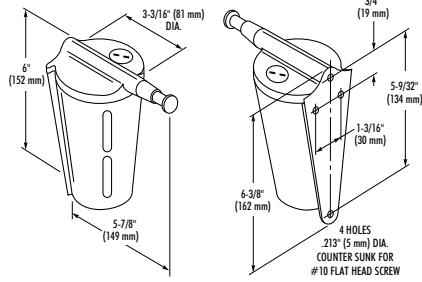
## MODEL 655



Liquid, tank-type soap dispenser with vertical valve. Fabricated of stainless steel with exposed surfaces in architectural satin finish. Holds 40 oz (1183 ml) liquid soap. Requires less than 5 lb (2.3 Kg) of force to operate.

Unit measures 4.8125" W x 8.1875" H x 2.875" D (122 x 208 x 73 mm)



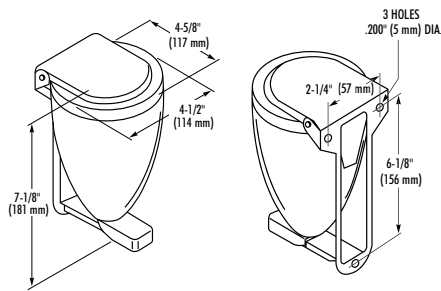


## MODEL 657

Liquid soap dispenser. Chrome-plated brass with plastic container and chrome-plated plastic assembly. Holds 12 oz (355 ml) liquid soap. Concealed mounting.

Unit measures 3.1875" W x 6" H x 5.875" D (81 x 152 x 149 mm) from wall to end of valve

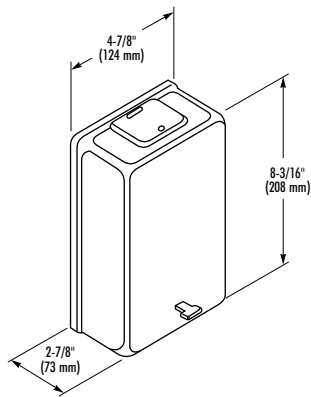
Valve projects 2.6875" (68 mm) from wall



## MODEL 658-30

Powdered soap dispenser of polished and satin finish stainless steel. Stainless push knob, springs and discharge mechanism. Holds 32 oz (946 ml) powdered soap. Locked top covers filler hole.

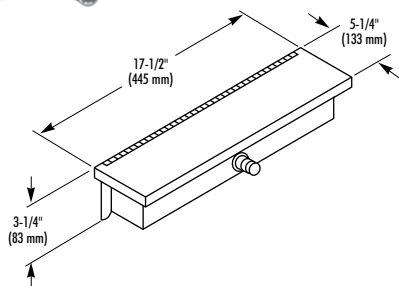
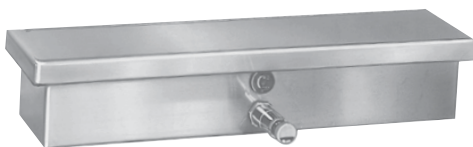
Unit measures 4.5" W x 7.125" H x 4.625" D (114 x 181 x 117 mm)



## MODEL 6583

Powdered soap dispenser of satin finished stainless steel with chrome-plated brass valve. Holds 32 oz (946 ml) powdered soap. Locked top covers filler hole. Concealed mounting.

Unit measures 4.875" W x 8.1875" H x 2.875" D (124 x 208 x 73 mm)



## MODEL 661



Shelf-type, liquid soap dispenser. Stainless steel with architectural satin finish. Chrome-plated brass and ABS valve. 80 oz (2366 ml) liquid soap reservoir. Vandal-resistant sight gauge. Hinged shelf with concealed latch raises for filling. Requires less than 5 lb (2.3 Kg) of force to operate.

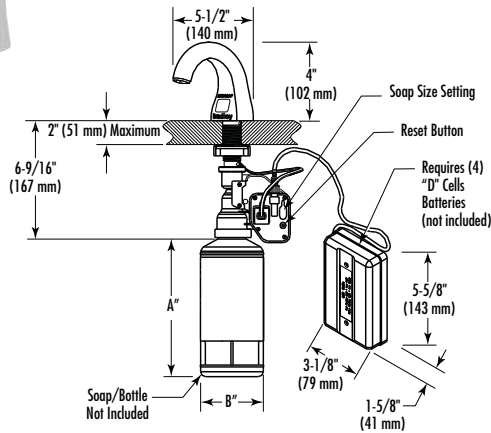
Unit measures 17.5" W x 3.25" H x 5.25" D (445 x 83 x 133 mm)

## MODEL 662



Unit with two liquid soap valves to mount between two lavatories.

# Soap Dispensers Deck Mounted



## MODEL 6315-KT0000



(Soap Dispenser Starter Kit: 6315, 1 bottle of soap, 4 "D" size batteries.) Sensor-operated soap dispenser with 5.5" (140 mm) spout length. ADA compliant. Reliable Infrared Metering Activation. LED light indicators for low battery and low soap refill. Spout fabricated of chrome-plated plastic. Requires 1" (25 mm) diameter hole in lavatory or countertop 1.5" (38 mm) from edge of sink.

## MODEL 6315



Soap Dispenser Only

## AC ADAPTOR



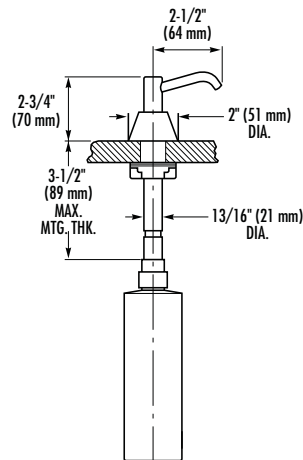
P19-231F Single soap dispenser adaptor

P19-231G Adaptor for up to 4 dispensers (need P19-231H for each dispenser)

P19-231H Wire assembly (to be used with P19-231G which requires 1 of these for each dispenser to be hooked up); up to 4 per P19-231G adaptor

P19-232A 2,000-shot non-refillable bottle

P19-232B 1,000-shot non-refillable bottle



## MODEL 6322

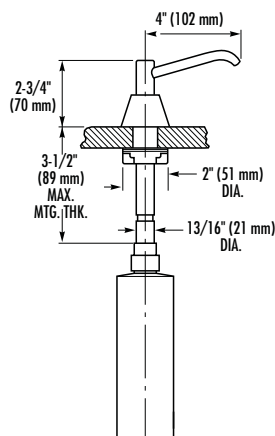


Liquid soap dispenser with 2.5" (64 mm) spout length. Polyethylene container holds 16 oz (473 ml) liquid soap. Stainless steel plunger and spout. Special key provided. Requires 1" (25 mm) diameter mounting hole. Shank length 4.75" (121 mm) – can be shortened in field. Requires less than 5 lb (2.3 Kg) of force to operate. Spout is fixed.

## MODEL 6322-68



Unit with 32-oz (946 ml) polyethylene soap container



## MODEL 6324

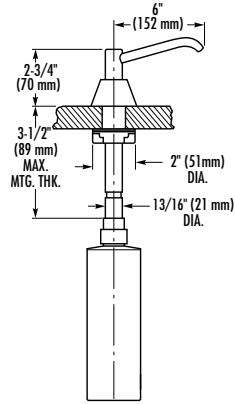


Liquid soap dispenser with 4" (102 mm) spout length and 4.75" (121 mm) shank. Polyethylene container holds 16 oz (473 mm) liquid soap. Requires less than 5 lb (2.3 Kg) of force to operate. Spout is fixed.

## MODEL 6324-68



Unit with 32 oz (946 ml) polyethylene soap container



### MODEL 6326

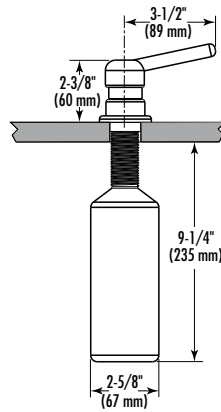


Liquid soap dispenser with 6" (152 mm) spout length. Polyethylene container holds 16 oz (473 ml) liquid soap. Requires less than 5 lb (2.3 Kg) of force to operate. Spout is fixed.

### MODEL 6326-68



Unit with 32 oz (946 ml) polyethylene soap container



### MODEL 6334



Liquid soap dispenser with 3.5" (89 mm) spout length. Polyethylene container holds 16 oz (473 ml) liquid soap. Chrome plated brass plunger and spout. Special key provided. Required 1.25" (32 mm) diameter hole in lavatory or countertop. ADA compliant. Requires less than 5 lb (2.3 Kg) of force to operate.

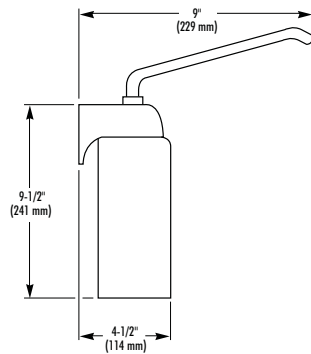
### MODEL 6843



Foot-operated, medical soap dispenser. Housing of ABS plastic with stainless steel spout. Holds 32 oz (946 ml) and unscrews for filling. Foot pump of molded rubber with anti-slip base and 8' (2.4 M) vinyl tubing dispenses surgical liquid soaps, detergents and aseptic solutions with depression of pedal.

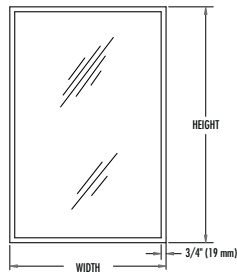
Unit measures 11.5" H x 4.5" D (292 x 114 mm)

Spout projects 9" (229 mm) from wall



## Mirrors & Shelves

Bradley Mirrors are made of first quality 1/4" (6 mm) float glass for a clean, contemporary look and an exclusive backing for long-lasting use. Guaranteed against silver spoilage for 15 years. Frames fabricated of stainless steel with theft-resistant mounting brackets. Angle Frame and Channel Frame Mirrors feature onepiece, roll-formed frames for strength. Frames guaranteed 15 years against corrosion. Choose Angle Frame style for welded, polished corners and Channel Frame style for neatly mitered corners.



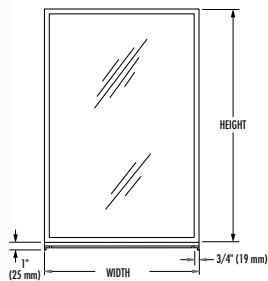
### MODEL 780



Angle framed mirror. 0.75" x 0.75" (19 mm x 19 mm) satin finish, stainless steel angle frame with welded and polished corners. 0.25" (6 mm) thick glass. Wall hanger of 18-gauge steel provides theft-resistant mounting. Galvanized steel back plate with shock-absorbing, waterproof filler.

Standard or barrier-free applications

See technical data for BradEX sizes



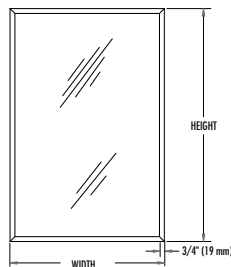
### MODEL 7805



Angle framed mirror with shelf. 0.75" x 0.75" (19 mm x 19 mm) satin finish stainless steel angle frame with welded and polished corners. 0.25" (6 mm) thick glass. 5.5" (140 mm) W satin finish stainless steel shelf welded to frame. Shelf has flanged front and sides. Wall hanger of 18-gauge steel provides vandal- and theft-resistant mounting. Galvanized steel back plate with shock-absorbing, waterproof filler.

Standard or barrier-free applications

See technical data for BradEX sizes



### MODEL 781

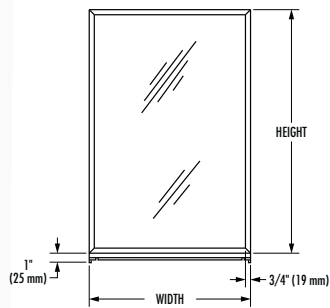


Channel framed mirror. 0.75" x 0.75" x 0.4375" (19 mm x 19 mm x 11 mm) channel frame of stainless steel with bright annealed finish. Neatly mitered corners. 0.25" (6 mm) thick glass. Wall hanger of 18-gauge steel provides vandal- and theft-resistant mounting. Galvanized steel back plate with shock-absorbing, waterproof filler.

Standard or barrier-free applications

See technical data for BradEX sizes





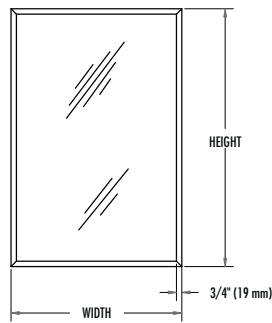
## MODEL 7815



Channel-framed mirror with shelf. 0.75" x 0.75" x .4375" (19 mm x 19 mm x 11 mm) frame of stainless steel with bright annealed finish. Neatly mitered corners. 0.25" (6 mm) thick glass. 5.5" (140 mm) W satin finish stainless steel shelf welded to frame. Wall hanger of 18-gauge steel provides vandal- and theft-resistant mounting. Galvanized steel back plate with shock-absorbing, waterproof filler.

Standard or barrier-free applications

See technical data for BradEX sizes



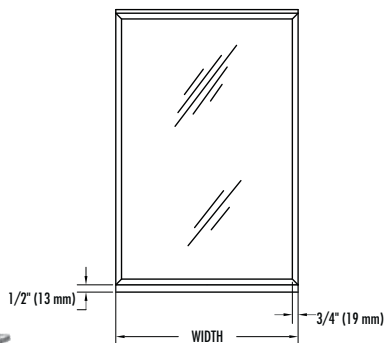
## MODEL 740



Fixed-angle, tilt frame of satin finish stainless steel. 0.75" x 0.75" (19 mm x 19 mm) frame with welded and polished corners. 0.25" (6 mm) thick glass. Theft-resistant mounting bracket.

Standard or barrier-free applications

See technical data for BradEX sizes

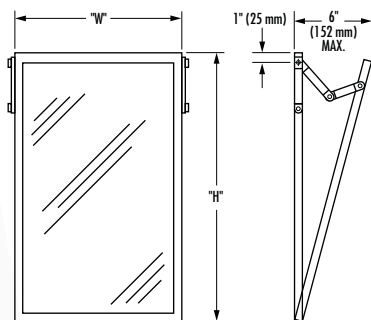
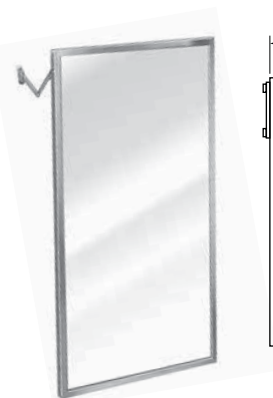


## MODEL 7405



Fixed-angle, tilt mirror with integral welded stainless steel shelf. 0.75" x 0.75" (19 mm x 19 mm) frame with welded and polished corners. 0.25" (6 mm) thick glass. Shelf is 5.5" (140 mm) W, welded to frame, flanged front and sides with welded, polished corners. Theft-resistant mounting bracket.

Standard or barrier-free applications

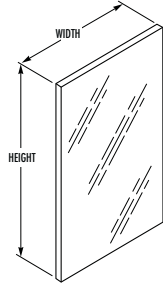


## MODEL 782



Adjustable tilt mirror. 0.75" x 0.75" (19 mm x 19 mm) frame is bottom hinged and has welded, polished corners. 0.25" (6 mm) thick glass. Two friction elbow hinges on top allow unit to tilt up to maximum 6" (152 mm) from wall. Standard projection is 4" (102 mm).

Standard or barrier-free applications



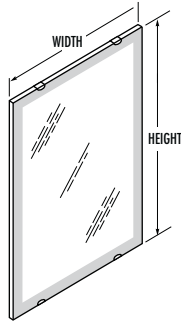
## MODEL 747



Frameless 0.25" (6 mm) thick glass mirror. Metal clip fasteners. Only available in standard glass.

Standard or barrier-free applications

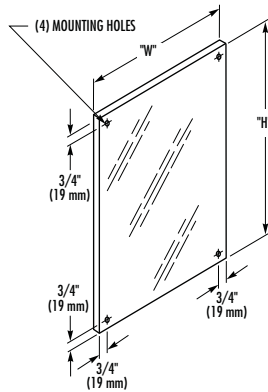
See technical data for BradEX sizes



## MODEL 747F

Frosted, frameless mirror with first quality 0.25" (6 mm) thick glass mirror. Metal clip fasteners. Only available in standard glass.

-S Solid Acid-Etched Border



## MODEL 748



Unbreakable stainless steel, frameless mirror of stainless steel polished to No. 8 architectural bright finish. Mirror has 0.25" (6 mm) return to conceal 0.25" (6 mm) tempered Masonite backing. Fastens with tamper-resistant screws.

Standard or barrier-free applications

## MODEL 7481



In bright annealed stainless steel.

Standard or barrier-free applications

See technical data for BradEX sizes

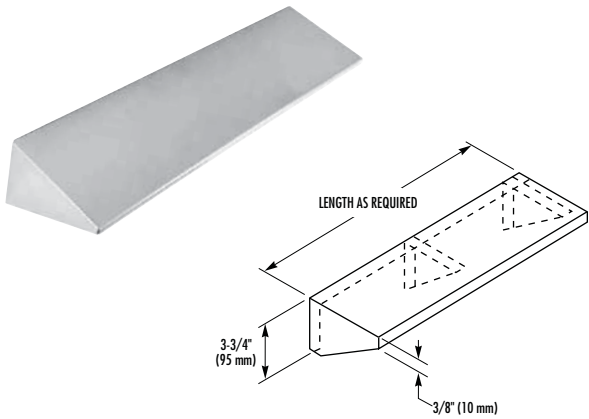


## Optional Features

Options available on select Bradley models.

Feature	Add Suffix
1/8" (6mm) Tempered glass mirror	-2
Laminated glass mirror	-3
300 Series stainless steel polished to a No. 8 architectural-grade finish in lieu of glass	-4
400 Series bright annealed stainless steel in lieu of glass	-5
Plexiglass mirror	-6

**Note:** Tempered, laminated, plexiglass and stainless steel provide extra security from broken glass but may differ in color and reflectivity from standard mirrors.



## MODEL 755

**BX**

Surface-mounted shelves fabricated of stainless steel with exposed surfaces in architectural satin finish.

5" (127 mm) Width

-12 12" (305 mm) Length

-18 18" (457 mm) Length

## MODEL 756

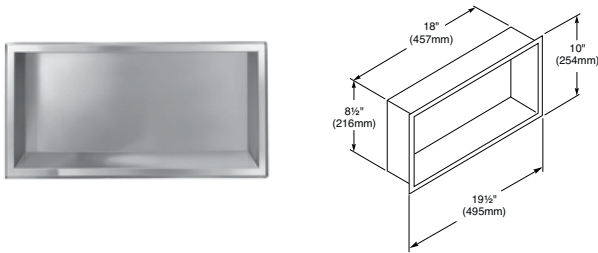
6" (152 mm) Width

## MODEL 758

**BX**

8" (203 mm) Width

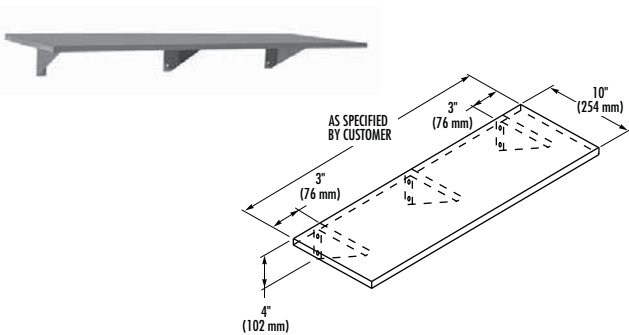
-24 24" (610 mm) Length



## MODEL 760

Recessed shelf shall be fabricated of 22 gauge stainless steel with exposed surfaces in satin finish.

Unit measures 19.5" W x 10" H x 4" D (495 x 254 x 102 mm)



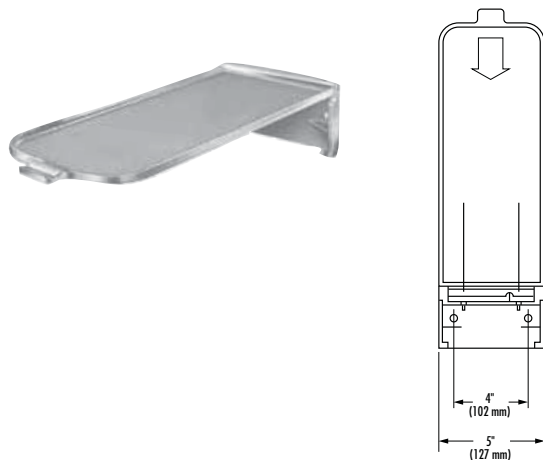
## MODEL 7510

Surface-mounted shelves fabricated of stainless steel with exposed surfaces in architectural satin finish.

10" (254 mm) Width

## MODEL 7512

12" (305 mm) Width



## MODEL 790

**BX**

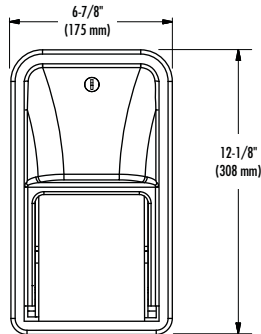
Surface-mounted, fold-down utility shelf. Fabricated of **heavy-duty, chrome-plated zinc die cast** with textured shelf area. Rear hinged shelf folds down for use. Holds up to 150 lb (68 Kg). Automatically returns to vertical position.

Unit measures 5" W x 14.875" D (127 x 378 mm)

-SS Stainless Steel

# Toilet Tissue Dispensers

Bradley Toilet Tissue Holders and Seat Cover Dispensers provide a complete selection of surface-mounted, recessed and partition-mounted units. Toilet Tissue Holders are available in single and multi-roll models, some with integral shelves.



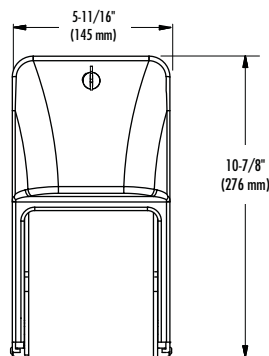
## MODEL 5A00



### Diplomat Series

Designed with unique dual-curve geometry. Constructed of architectural satin finish stainless steel. Recess-mounted, non-controlled delivery toilet tissue holder. Cabinet holds two rolls up to 4.5" (114 mm) W x 5.25" (133 mm) diameter standard core toilet tissue. Molded polyethylene spindles.

Rough wall opening 6" W x 11.125" H x 4" D (152 x 283 x 102 mm)



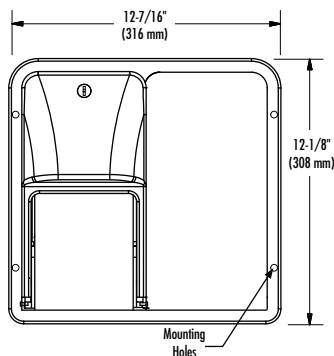
## MODEL 5A10



### Diplomat Series

Designed with unique dual-curve geometry. Constructed of architectural satin finish stainless steel. Surface-mounted, non-controlled delivery toilet tissue holder. Cabinet holds two rolls up to 4.5" (114 mm) W x 5.25" (133 mm) diameter standard core toilet tissue. Molded polyethylene spindles.

Unit measures 5.5625" W x 10.875" H x 6.1875" D (141 x 276 x 157 mm)



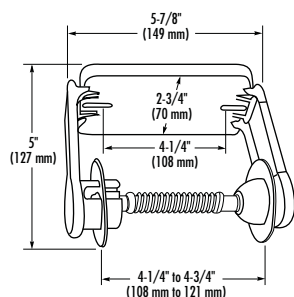
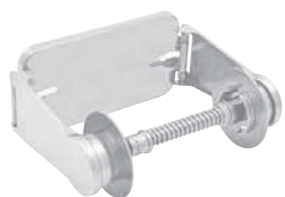
## MODEL 5A20



### Diplomat Series

Designed with unique dual-curve geometry. Constructed of architectural satin finish stainless steel. Partition-mounted, non-controlled delivery toilet tissue holder. Double-sided unit includes single-roll dispenser with roll-in-reserve serving each compartment. Each cabinet holds two rolls up to 4.5" (114 mm) W x 5.25" (133 mm) diameter standard core toilet tissue. Molded polyethylene spindles.

Rough wall opening 11.125" H x 11.5" W (283 x 292 mm)

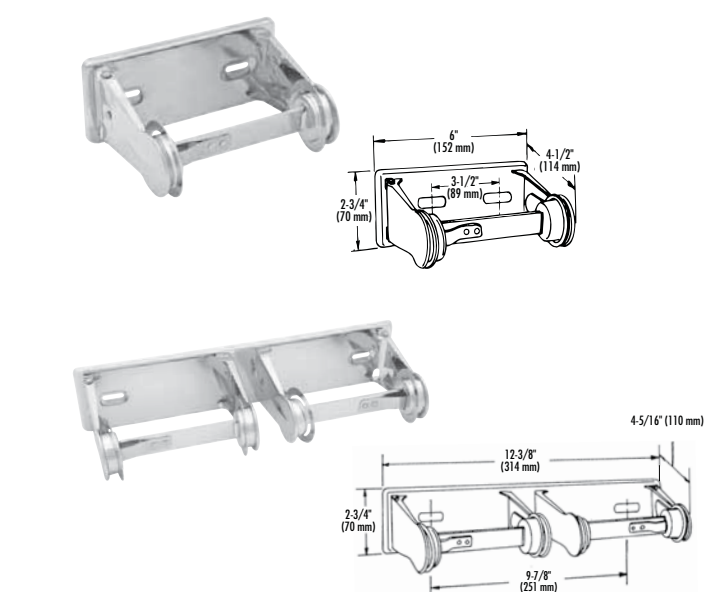
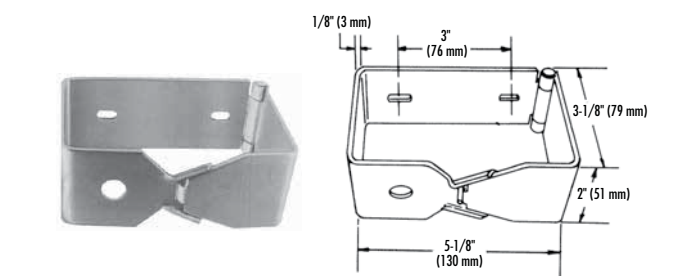
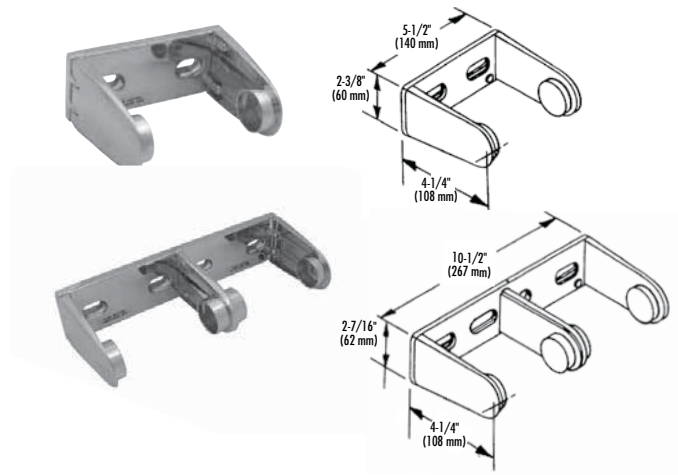


## MODEL 5061

Controlled delivery with vandal-resistant locking device and constant roll tension. Exclusive adjusting mechanism accommodates rolls from 4.25" (108 mm) W to 4.75" (121 mm) W. Holds one standard core roll through 6" (152 mm) in diameter. Surface mounted.

Unit measures 5.875" W x 2.75" H x 5" D (149 x 70 x 127 mm)





## MODEL 505 BX

Controlled delivery. Chrome-plated, die-cast zinc. Unit features hinged arm with spring catch for filling and tension spring on fixed arm. Holds one (two) standard core roll(s) through 5" (127 mm) in diameter and 4.5" (114 mm) wide. Surface mounted.

Single Roll

Unit measures 5.5" W x 2.375" H x 4.25" D (140 x 60 x 108 mm)

## MODEL 522 BX

Double Roll

Unit measures 10.5" W x 2.4375" H x 4.25" D (267 x 62 x 108 mm)

## MODEL 5053

Controlled delivery. Epoxy-coated aluminum. One-piece construction with hinged arm and snap lock, which is concealed by tissue roll. No removable parts. Surface mounted.

Single Roll

Unit measures 5.125" W x 2" H x 3.125" D (130 x 51 x 79 mm)

## MODEL 5054 BX

Controlled delivery. Heavy-duty, chrome-plated steel. Vandal-resistant locking mechanism. Hinged arm for filling. Tension spring prevents free spinning of roll. Holds one (two) standard core roll(s) through 6" (152 mm) in diameter. Surface mounted.

Single Roll

Unit measures 6" W x 2.75" H x 4.5" D (152 x 70 x 114 mm)

## MODEL 5224 BX

Double Roll

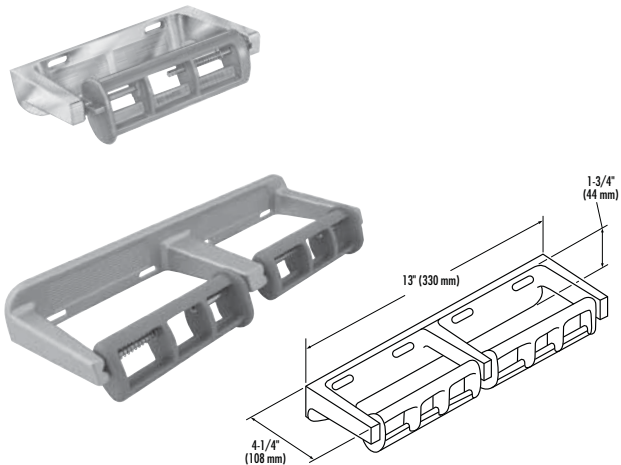
Unit measures 12.375" W x 2.75" H x 4.3125" D (314 x 70 x 110 mm)

## MODEL 5061 BX

Single Roll

Chrome-plated Zinc

# Toilet Tissue Dispensers



## MODEL 5071



Controlled delivery. Die-cast aluminum with gray polystyrene spindle. Rotates 0.5 revolution for each dispensing operation and returns to original position. Spring allows spindle to be released for filling. Holds one (two) standard core roll(s) through 5.5" (140 mm) in diameter. Surface mounted.

Single Roll

Unit measures 6.5" W x 1.75" H x 4" D (165 x 44 x 102 mm)

-50 Non-controlled Delivery

## MODEL 5241



Double Roll

Unit measures 13" W x 1.75" H x 4.25" D (330 x 44 x 108 mm)

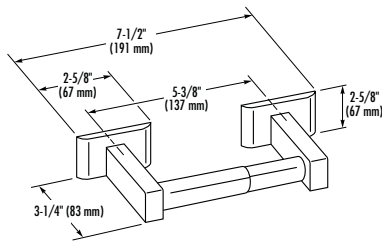
-50 Non-controlled Delivery



## THEFT-RESISTANT SPINDLE (-52)

Available as an option for Bradley surface-mounted and recessed toilet tissue holders.

Option -52 can be ordered as a replacement part #S01-459

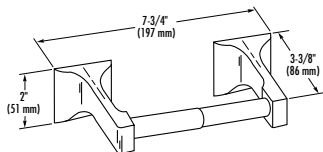


## MODEL 508\*



Non-controlled delivery. Chrome-plated, cast brass with chrome-plated plastic spindle. Surface mounted.

Unit measures 7.5" W x 2.625" H x 3.25" D (191 x 67 x 83 mm)



## MODEL 508-32\*

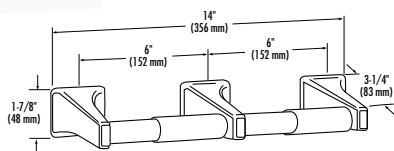


Non-controlled delivery. Highly polished, chrome-finish Zamac brackets with plated-steel mounting bracket and chrome-plated plastic spindle. Surface mounted.

Single Roll

Unit measures 7.75" W x 2" H x 3.375" D (197 x 51 x 86 mm)

Plastic roller (-51) for 508-32 only



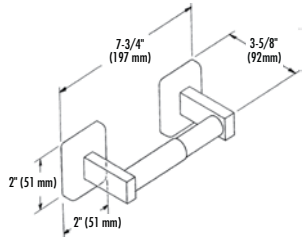
## MODEL 523\*



Double Roll

Unit measures 14" W x 1.875" H x 3.375" D (356 x 48 x 86 mm)

\*Theft-resistant spindle available (-52)



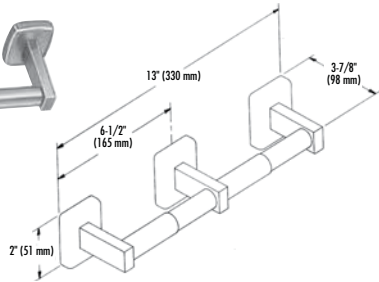
### MODEL 5084\*



Non-controlled delivery. Constructed of satin-finish stainless steel. Unit has individually mounted arms and free-turning roller that telescopes for filling. Holds standard core rolls through 5.5" (140 mm) in diameter. Surface mounted.

Single Roll

Unit measures 7.75" W x 2" H x 3.625" D (197 x 51 x 92 mm)



### MODEL 5085\*



Single roll, unit with Bright Polish Finish.

### MODEL 5234\*



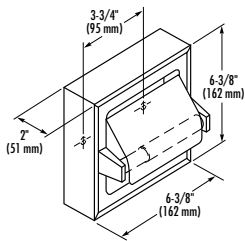
Double Roll

Unit measures 13" W x 2" H x 3.875" D (330 x 51 x 98 mm)

### MODEL 5235\*



Double roll, unit with Bright Polish Finish



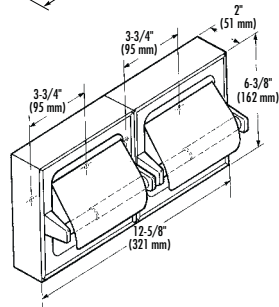
### MODEL 5106\*



Surface-mounted, non-controlled delivery with hinged hood. Fabricated of bright polished stainless steel and chrome-plated plastic spindle. Free-turning rollers. Holds standard core rolls through 5.5" (140 mm) in diameter.

Single Roll

Unit measures 6.375" W x 6.375" H x 2" D (162 x 162 x 51 mm)



### MODEL 5107\*



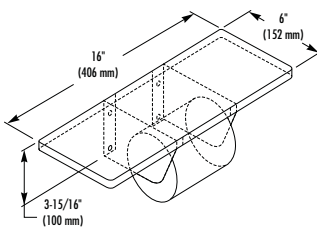
Satin finish stainless steel

### MODEL 5126\*



Double Roll

Unit measures 12.625" W x 6.375" H x 2" D (321 x 162 x 51 mm)



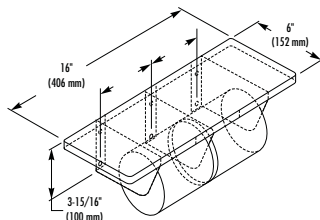
### MODEL 5262



Toilet tissue dispenser with shelf. Non-controlled delivery. Fabricated of satin-finish stainless steel. Spindle(s) of ABS plastic with concealed spring. Standard core 6" (152 mm) diameter toilet tissue roll(s). Surface mounted.

Single Roll

Unit measures 16" W x 3.9375" H x 6" D (406 x 100 x 152 mm)

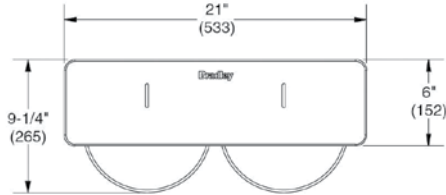


### MODEL 5263



Double Roll

\*Theft-resistant spindle available (-52)

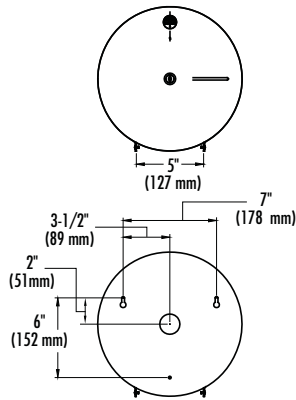


## NEW MODEL 5426-11



Surface-mounted, dual-jumbo-roll, toilet tissue holder. 22 gauge stainless steel with exposed surfaces in architectural satin finish. Welded construction with burr-free edges. Furnished with refill-indicator viewing slots. Holds maximum two standard 9" (229 mm) rolls and width of 3.75" (95 mm).

Overall dimensions: 21" W x 6" H x 6.1875" D (534 x 153 x 157 mm)

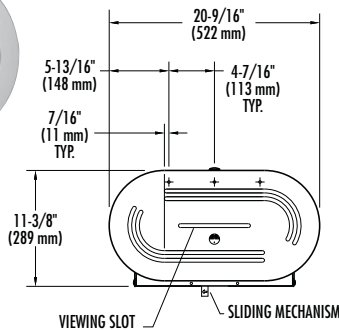


## MODEL 5424



Surface-mounted, jumbo-roll, toilet tissue holder. Satin-finish stainless steel. Door swings down to replenish tissue roll and is secured with tumbler lock. Holds one roll (up to 10" (254 mm) diameter) of 1.5" (38 mm) or 2.125" (54 mm) diameter core toilet tissue minimum. Refill indicator slot reveals tissue level.

Unit measures 10.8125" W x 10.8125" H x 4.75" D (275 x 275 x 121 mm)

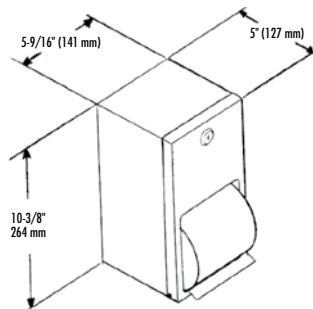


## MODEL 5425



Surface-mounted, dual-jumbo-roll, toilet tissue holder. Satin-finish stainless steel. Bottom hinged front panel is secured with tumbler lock. Holds two standard 9" (229 mm) rolls. Core adapters accept 2.25" (57 mm) or 3" (76 mm) diameter core tissue minimum. Inside mechanism of durable ABS has sliding bottom access panel to allow dispensing from one roll at a time. Non-controlled delivery.

Unit measures 20.5625" W x 11.375" H x 6" D (522 x 289 x 152 mm)



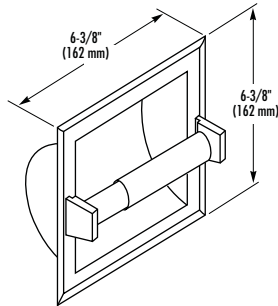
## MODEL 5402



Surface-mounted, dual-roll, toilet tissue holder. Satin-finish stainless steel. Vandal-resistant, polyethylene spindles. Bottom hinged front panel is secured with tumbler lock. Holds two standard rolls up to 4.75" (121 mm) in diameter, 4.5" (114 mm) W. Non-controlled delivery.

Unit measures 5.5625" W x 10.375" H x 5" D (141 x 264 x 127 mm)

\*Theft-resistant spindle available (-52)

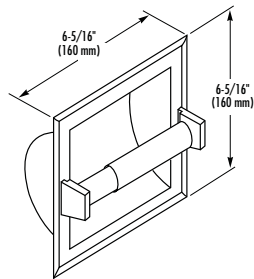


### MODEL 5104\*



Recess-mounted toilet tissue holder with non-controlled delivery. Recessed housing and projecting parts of satin finish stainless steel. Free-turning, chrome-plated plastic roller telescopes for filling. Holds one standard core roll up to 5" (127 mm) in diameter. Satin Finish (shown)

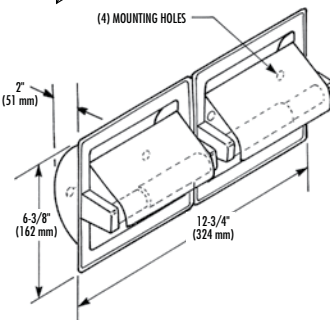
Rough wall opening 5.25" W x 5.25" H x 2" D (133 x 133 x 51 mm)



### MODEL 5102\*



Unit Housing and Projecting Parts of Bright Polished Stainless Steel\*



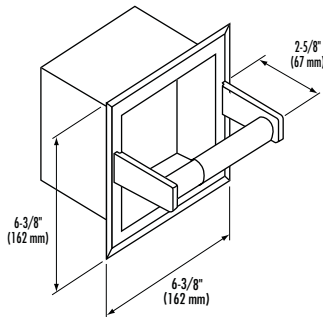
### MODEL 5103\*



Recess-mounted toilet tissue holder with hinged hood and non-controlled delivery. Housing brackets and hood fabricated of bright polished stainless steel. Chrome-plated plastic spindle. Holds one (two) standard core roll(s) through 5.5" (140 mm) in diameter.

Single Roll

Rough wall opening 5" W x 4.875" H x 1.875" D (127 x 124 x 48 mm)



### MODEL 5123\*



Double Roll

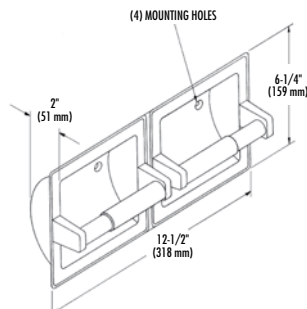
Rough wall opening 11.75" W x 5.25" H x 2" D (298 x 133 x 51 mm)

### MODEL 5105\*



Recess-mounted toilet tissue holder with non-controlled delivery. Housing fabricated of bright polished stainless steel. Posts are fabricated of chrome-plated zinc. Spindle fabricated of chrome-plated plastic. Holds one standard core toilet tissue roll through 5" (127 mm) in diameter, plus one spare roll behind spindled roll.

Rough wall opening 5.25" W x 5.25" H x 4" D (133 x 133 x 102 mm)



### MODEL 5124\*



Recess-mounted, dual-roll, toilet tissue holder with non-controlled delivery. Satin-finish stainless steel. Chrome-plated, zinc die-cast projecting parts. Free-turning, chrome-plated plastic rollers. Holds two standard core rolls through 5" (127 mm) in diameter.

Rough wall opening 11.75" W x 5.25" H x 2" D (298 x 133 x 51 mm)

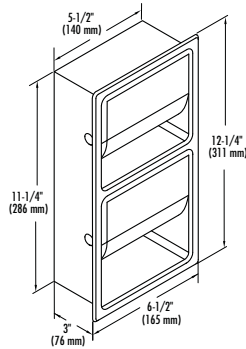
### MODEL 5125\*



Unit with Bright Polish Finish

\*Theft-resistant spindle available (-52)

# Toilet Tissue Dispensers



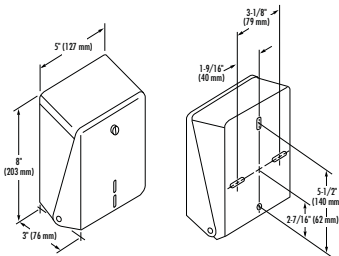
## MODEL 5127



Recess-mounted, dual roll, non-controlled delivery with hinged hood toilet tissue holder. Fabricated of bright polished stainless steel and chrome-plated plastic spindle. Free-turning rollers. Holds standard core through 5.5" (140 mm) diameter.

Unit measures 6.5" W x 12.25" H x 3" D (165 x 311 x 76 mm)

Rough wall opening 6" W x 11.75" H x 3.25" D (152 x 298 x 83 mm)

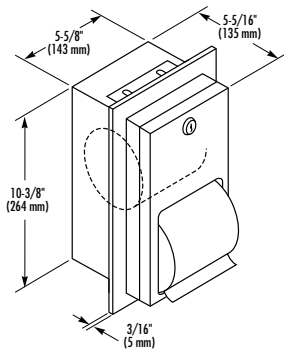


## MODEL 515



Dispenses sheet tissue. Satin-finish stainless steel. Front panel hinged at bottom. Vandal-resistant lock.

Unit measures 5" W x 8" H x 3" D (127 x 203 x 76 mm)



## MODEL 5412

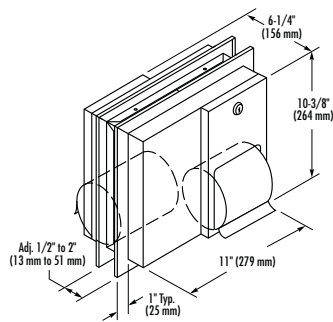


Recess-mounted, dual-roll, toilet tissue holder. Satin-finish stainless steel. Vandal-resistant polyethylene spindles. Bottom hinged front panel is secured with tumbler lock. Holds two standard rolls up to 4.75" (121 mm) in diameter, 4.5" (114 mm) W. Non-controlled delivery.

With flange, unit measures 7.625" W x 12.375" H x 5.3125" D (194 x 314 x 135 mm)

Without flange, unit measures 5.625" W x 10.375" H x 5.3125" D (143 x 264 x 135 mm)

Rough wall opening 5.75" W x 10.5" H x 4" D (146 x 267 x 102 mm)



## MODEL 5422



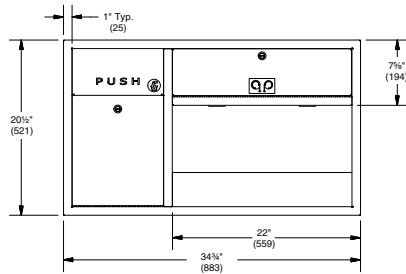
Partition-mounted, dual-roll, toilet tissue holder. Serves two adjoining compartments. Satin-finish stainless steel. Vandal-resistant polyethylene spindles. Bottom hinged front panel is secured with tumbler lock. Holds two standard rolls up to 4.75" (121 mm) in diameter, 4.5" (114 mm) W. Noncontrolled delivery.

With flange, unit measures 13" W x 12.375" H x 5.71875" D (330 x 314 x 145 mm)

Without flange, unit measures 11" W x 10.375" H x 5.09375" D (279 x 264 x 129 mm)

Partition opening 11.375" W x 10.625" H (289 x 270 mm)

Bradley Seat Cover Dispenser/Combination units are fabricated of 18-gauge stainless steel and are secured with full-length piano hinges and tumbler locks for the ultimate blend of style and vandal resistance. When doors are locked, contents and interior areas are hidden and protected. Partition-mounted units serve two compartments at the same time.



## NEW MODEL 5951



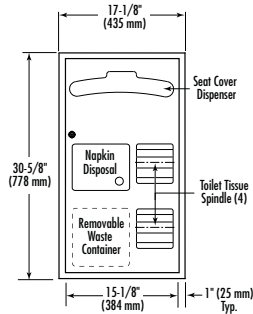
Recessed combination unit shall include dual jumbo coreless toilet tissue dispenser and napkin disposal, and be fabricated of stainless steel with seamless exposed surfaces in satin finish. Doors shall be 18 gauge, 304 stainless steel, with piano hinge and tumbler lock.

Overall dimensions: 34.75" W x 20.5" H x 6.25" D (883 x 521 x 159 mm)

## NEW MODEL 5952



Right hand configuration

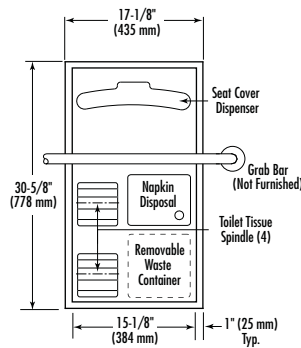


## MODEL 591



Partition-mounted combination unit serves two compartments. Dispenses 1,000 standard single or half-fold paper toilet seat covers. Holds four standard core rolls through 5.25" (133 mm) in diameter. Waste receptacle capacity 0.88 gal (3.3 L). Noncontrolled delivery.

Partition opening 15.5" W x 28.875" H (394 x 733 mm)



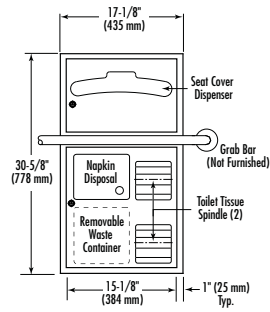
## MODEL 5911



Partition-mounted combination unit serves two compartments. Mounts with one side flush against partition allowing clearance for grab bar in barrier-free compartment. Waste receptacle capacity 0.88 gal (3.3 L). Holds four standard core rolls through 5.25" (133 mm) in diameter. Non-controlled delivery. Servicing of unit accomplished from non-barrier-free compartment.

Partition opening 15.5" W x 28.875" H (394 x 733 mm)

-69 Reverse Door Option



## MODEL 5912



Recess-mounted combination unit. Dispenses 1,000 standard single or half-fold paper toilet seat covers. Holds two standard core rolls through 5.25" (133 mm) in diameter. Non-controlled delivery. Waste receptacle capacity 1 gal (3.8 L).

Rough wall opening 15.5" W x 28.875" H x 4" D (394 x 733 x 102 mm)

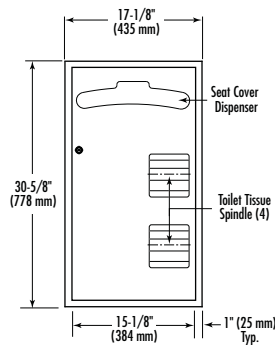
-10 Semi-Recessed Projects 1.25" (32 mm) from wall.

Not for use with grab bar

-11 Surface-Mounted Projects 4.25" (108 mm) from wall.

Not for use with grab bar

-69 Reverse Door Option

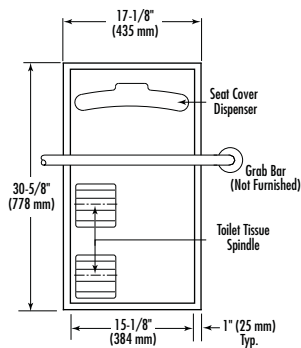


## MODEL 592



Partition-mounted combination unit serves two compartments. Dispenses 1,000 standard single or half-fold paper toilet seat covers. Holds four standard core rolls through 5.25" (133 mm) in diameter. Non-controlled delivery.

Partition opening 15.5" W x 28.875" H (394 x 733 mm)



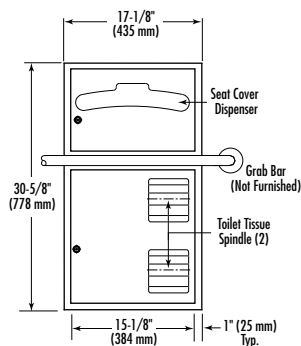
## MODEL 5921



Partition-mounted combination unit serves two compartments. Mounts with one side flush against partition allowing clearance for grab bar in barrier-free compartment. Holds four standard core rolls through 5.25" (133 mm) in diameter. Servicing of unit accomplished from non-grab-bar compartment. Noncontrolled delivery.

Partition opening 15.5" W x 28.875" H (394 x 733 mm)

-69 Reverse Door Option



## MODEL 5922



Recess mounted. Dispenses 1,000 standard single or half-fold paper toilet seat covers. Holds two standard core rolls through 5.25" (133 mm) in diameter. Non-controlled delivery.

Rough wall opening 15.5" W x 28.875" H x 4" D (394 x 733 x 102 mm)

-10 Semi-Recessed 2.125" (54 mm) in wall, projects 2" (51 mm) from wall.

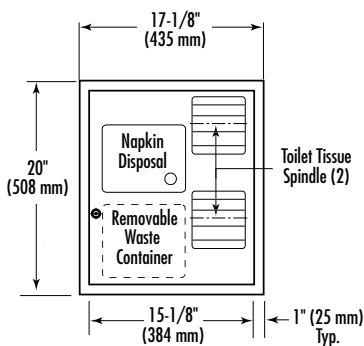
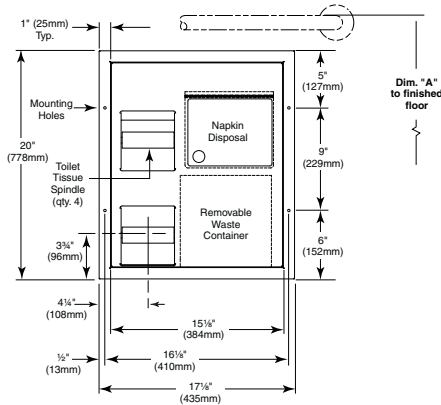
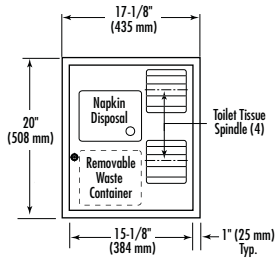
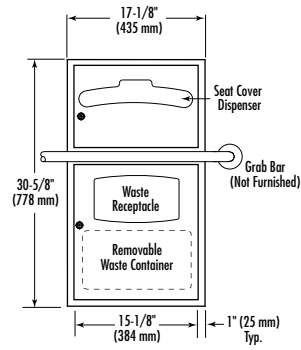
Not for use with grab bar.

-11 Surface-Mounted Projects 4.25" (108 mm) from wall.

Not for use with grab bar.

-69 Reverse Door Option





## MODEL 5932



Recess-mounted combination unit. Dispenses 1,000 standard single or half-fold paper toilet seat covers. Waste receptacle capacity 1.7 gal (6.4 L).

Rough wall opening 15.5" W x 28.875" H x 4" D (394 x 733 x 102 mm)

-10 Semi-Recessed

-11 Surface-Mounted

## MODEL 594



Partition-mounted combination unit serves two compartments. Dispenses four standard core rolls through 5.25" (133 mm) in diameter, two rolls per compartment. Non-controlled delivery. Waste receptacle capacity 1 gal (3.8 L).

Partition opening 15.5" W x 18.25" H (394 x 464 mm)

## MODEL 5941



Partition-mounted combination unit shall include toilet tissue dispenser, and napkin disposal, and be fabricated of, heavy gauge stainless steel with seamless exposed surfaces in satin finish. Door and back panel shall be 18 gauge. Door shall have piano hinge and tumbler lock.

Overall dimensions: 17.125" W x 20" H x 4.5" D (435 x 508 x 114 mm)

## MODEL 5942



Recess-mounted combination unit. Dispenses two standard core rolls through 5.25" (133 mm) in diameter. Non-controlled delivery. Napkin disposal has self-closing, push-flap door. Waste receptacle capacity 1 gal (3.8 L).

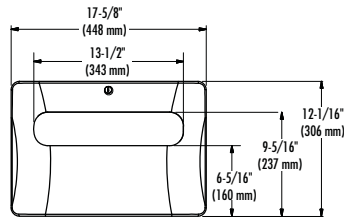
Rough wall opening 15.375" W x 18.25" H x 4.25" D (391 x 464 x 108 mm)

-10 Semi-Recessed 3.25" (83 mm) in wall, projects 1.25" (32 mm) from wall.

-11 Surface-Mounted Projects 4.5" (108 mm) from wall.

-69 Reverse Door Option

# Seat Cover Dispensers



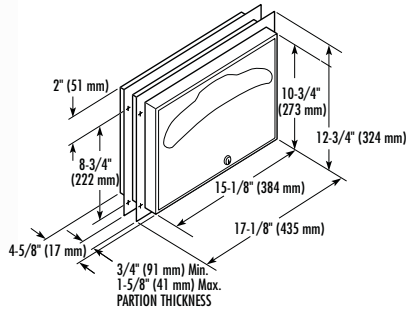
## MODEL 5A40-11



### Diplomat Series

Designed with unique dual-curve geometry. Constructed of architectural satin finish stainless steel. Surface-mounted seat cover dispenser. Dispenses 250 standard single or half-fold paper toilet seat covers.

Unit measures 17.625" W x 12.0625" H x 1.75" D (448 x 306 x 44 mm)

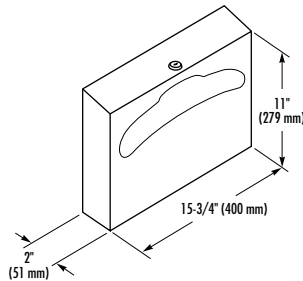


## MODEL 582



Partition-mounted seat cover dispenser serves two compartments. Dispenses 1,000 single-fold or half-fold paper seat covers.

Partition opening 11" H x 15.375" W (279 x 391 mm)

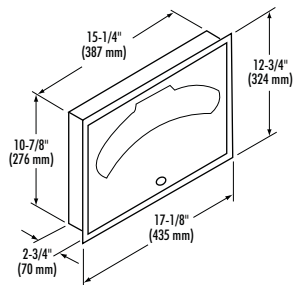


## MODEL 583



Surface-mounted seat cover dispenser. Dispenses 500 standard single or half-fold paper toilet seat covers.

Unit measures 15" W x 11.5" H x 2.375" D (381 x 292 x 60 mm)

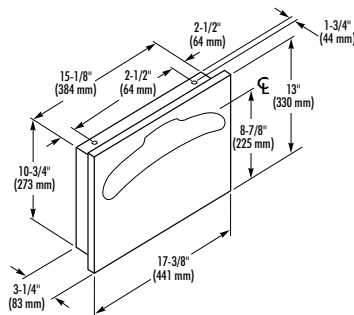


## MODEL 584



Recess-mounted seat cover dispenser. Dispenses 500 standard single or half-fold paper toilet seat covers.

Rough wall opening 15.75" W x 11.375" H x 2.75" D (400 x 289 x 70 mm)



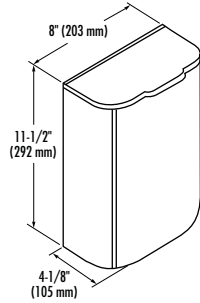
## MODEL 5847



### Contemporary Series

Recess-mounted, seat cover dispenser. Dispenses 500 standard single or half-fold toilet seat covers.

Rough wall opening 15.625" W x 11.25" H x 2.75" D (397 x 286 x 70 mm)

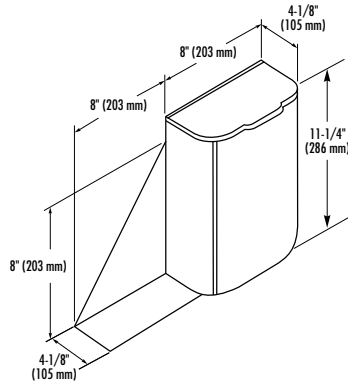


## NEW MODEL 4781-11



Surface-mounted napkin disposal unit has hinged cover and bottom with lock. Uses disposable, wet-strength paper liner.

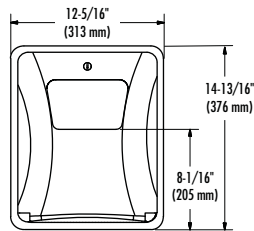
Unit measures 8" W x 11.5" H x 4.125" D (203 x 292 x 105 mm)



## NEW MODEL 4791-11

Surface-mounted napkin disposal with integral shelf has hinged cover and bottom with tumbler lock. Shelf welded to waste receptacle. Uses disposable, wet-strength paper liner.

Unit measures 16" W x 11.25" H x 4.125" D (406 x 286 x 105 mm)



## MODEL 4A00

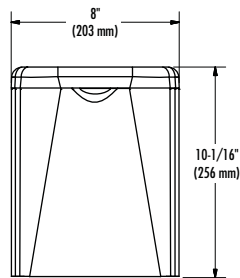


### Diplomat Series

Designed with unique dual-curve geometry. Constructed of architectural satin finish stainless steel. 1.5 gal (5.7 L), recess-mounted napkin disposal with push-flap door. Removable plastic disposal.

Rough wall opening 11.25" W x 13.75" H x 4" D (286 x 349 x 102 mm)

-10 Semi-Recessed 2" (51 mm) in wall, projects 3.75" (95 mm) from wall



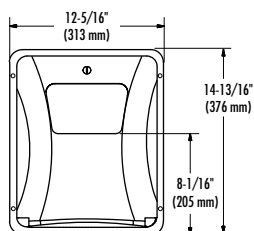
## MODEL 4A10-11



### Diplomat Series

Designed with unique dual-curve geometry. Constructed of architectural satin finish stainless steel. 1.5 gal (5.7 L), surface-mounted napkin disposal with hinged cover. Accepts all after-market industry liners.

Unit measures 8" W x 10.0625" H x 3.875" D (203 x 256 x 98 mm)



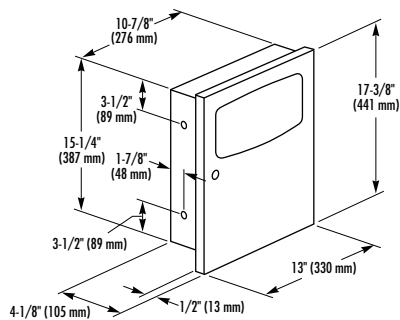
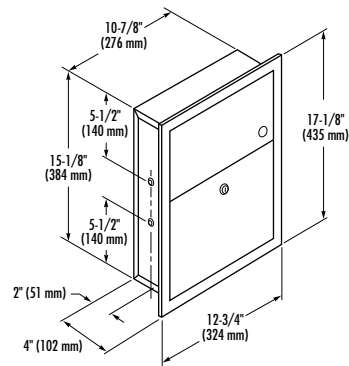
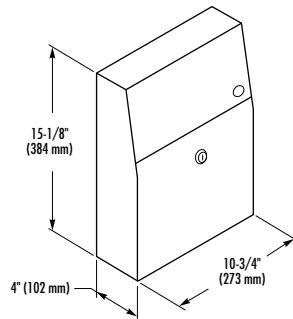
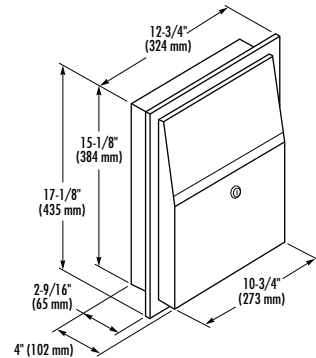
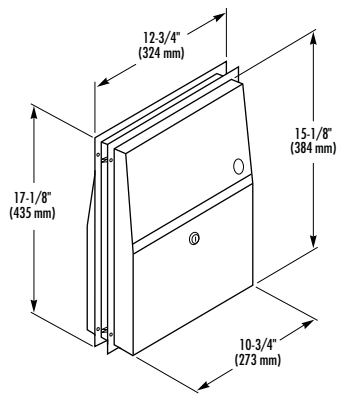
## MODEL 4A11



### Diplomat Series

Designed with unique dual-curve geometry. Constructed of architectural satin finish stainless steel. Mounts in partition to serve two compartments. 1.5 gal (5.7 L) napkin disposal with self-closing push-flap door. Removable plastic disposal.

Rough wall opening 11.25" W x 13.75" H (286 x 349 mm)



## MODEL 4721-15



Mounts in partition to serve two compartments. Two push-flap doors and stainless steel waste receptacle removable from one side. Flange adjusts for partitions from 0.5" (13 mm) to 1.25" (32 mm) thick. Uses disposable, wet-strength paper liner. 1.5 gal (5.7 L) capacity.

Partition opening 11" W x 15.375" H (279 x 391 mm)

**Note:** If used with an odd number of compartments, use one Model 4722-15 in side wall of end compartment

## MODEL 4722-1015



Semi-recessed napkin disposal unit with push-flap door and removable, stainless steel receptacle. Uses disposable, wet-strength paper liner.

Rough wall opening 11" W x 15.375" H x 2.5" D (279 x 391 x 64 mm)

Unit projects 1.4375" (37 mm) from finished wall.

## MODEL 4722-15



Surface-mounted napkin disposal unit with push-flap door and removable, stainless steel receptacle. Uses disposable, wet-strength paper liner.

Measures 10.75" W x 15.125" H x 4" D (273 x 384 x 102 mm)

## MODEL 4731-15



Recess-mounted napkin disposal unit with push-flap door and removable, stainless steel receptacle. Uses disposable, wet-strength paper liner. May also be used as a small-capacity waste receptacle.

Rough wall opening 11.375" W x 15.375" H x 4" D (289 x 391 x 102 mm)

Unit projects 1.4375" (37 mm) from finished wall

## MODEL 4737



### Contemporary Series

Recess-mounted napkin disposal with push-flap door. Removable, leak-proof, molded-plastic insert.

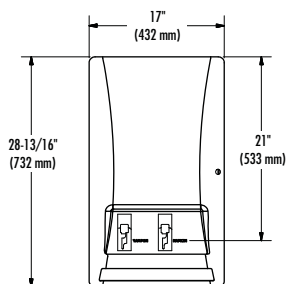
Rough wall opening 11.375" W x 15.375" H x 4" D (289 x 391 x 102 mm)

-10 Semi-Recessed 2.125" (54 mm) in wall, projects 2" (51 mm) from wall.

-11 Surface-Mounted Projects 4.125" (105 mm) from wall.

**Note:** Only recessed and semi-recessed.

All Bradley dispensers combine smooth, contemporary styling with durable, vandal-resistant construction. Doors feature full-length piano hinges and tumbler locks for added security and maintenance ease. Configurations range from semi-recessed and recessed to surface-mounted and partition-mounted models.



## MODEL 4A20

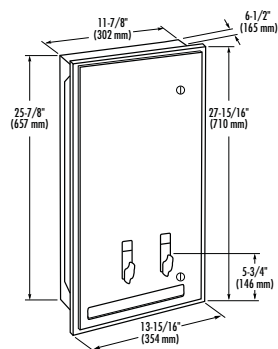
### Diplomat Series

Designed with unique dual-curve geometry. Constructed of architectural satin finish stainless steel. Recess-mounted napkin/tampon vendor. Dispenses 18 napkins and 28 tampons. Specify coin choice (Free, 10¢, 25¢, 50¢ and \$1.00).

Rough wall opening 16.125" W x 27.875" H x 4" D (410 x 708 x 102 mm)

-11 Surface-Mounted Projects 5 7/8" (146 mm) from wall.

-45 25¢ Coin Operation

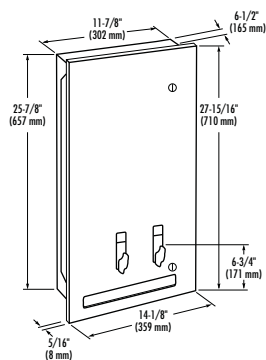


## MODEL 401

Recessed napkin/tampon vendor. Dispenses 30 napkins and 28 tampons. Slip-type flange permits full or partial recess installation or can be discarded for surface mounting. Coin mechanism may be replaced in the field without removing cabinet from wall. Specify coin choice (Free, 10¢, 25¢, 50¢, \$1.00).

Rough wall opening 12.5" W x 26.375" H x 6" D (318 x 670 x 152 mm)

-45 25¢ Coin Operation



## MODEL 4017

### Contemporary Series

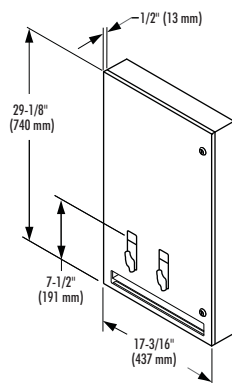
Recessed napkin/tampon vendor. Dispenses 30 napkins and 28 tampons. Full-length piano hinge and two tumbler locks. Coin mechanism may be replaced in the field without removing cabinet from wall. Specify coin choice (Free, 10¢, 25¢, 50¢, \$1.00).

Rough wall opening 12.5" W x 26.375" H x 6.5" D (318 x 670 x 165 mm)

-10 Semi-Recessed 4" (102 mm) in wall, projects 2" (51 mm) from wall

-11 Surface-Mounted Projects 6 3/8" (171 mm) from wall

-45 25¢ Coin Operation



## MODEL 407

### Contemporary Series

Recessed napkin/tampon vendor. Dispenses 18 napkins and 28 tampons. Shallow design permits unit to be fully recessed in a standard 4" (102 mm) deep wall. Coin mechanism may be replaced in the field without removing cabinet from wall. Specify coin choice (Free, 10¢, 25¢, 50¢, \$1.00).

Rough wall opening 16.125" W x 27.875" H x 4" D (410 x 708 x 102 mm)

-11 Surface-Mounted Projects 43/8" (111 mm) from wall.

-45 25¢ Coin Operation

-1145 Surface-Mounted with 25¢ Coin Operation





**NEW MODEL 962**



Recess-mounted unit with polyethylene body and barrier-free design. Brushed stainless steel exterior. Standard with molded, dual-liner dispenser (holds approximately 50 per dispenser). Safety belt with cam-buckle is adjustable with one hand. Pneumatic gas shock mechanism ensures smooth, safe open and close motions. Rated to support static load of 250 lb (113.4 Kg).

**NEW MODEL 962-11**



Surface-Mounted



**NEW MODEL 963**



Bacterial resistant high density polyethylene with steel to steel support hinges. Pneumatic gas shock mechanism opens and closes unit smoothly. Liner dispenser and purse.diaper bag hooks molded in. Nylon buckle is adjustable with one hand. Gray and White Speckled

**NEW MODEL 9631**



Solid Light Gray Color

**NEW MODEL 9632**



Ivory Color



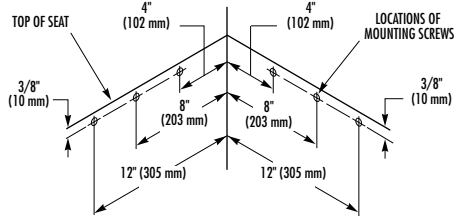
**NEW MODEL 964**



Toddler wall seat. Bacterial resistant high density polyethylene with steel to steel support hinges. Pneumatic gas shock mechanism opens and closes unit smoothly. Nylon buckle is adjustable with one hand. Gray.



Icon indicates Bariatric weight rated products that follow FGI guidelines

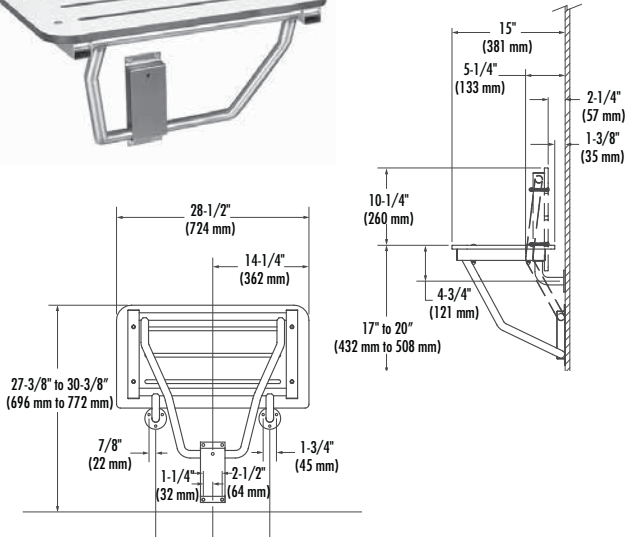


## MODEL 954

Hinged corner shower seat. Heavy-duty, satin-finish, stainless steel with 0.75" (19 mm) return edges. Folds to vertical position when not in use.

## MODEL 9541

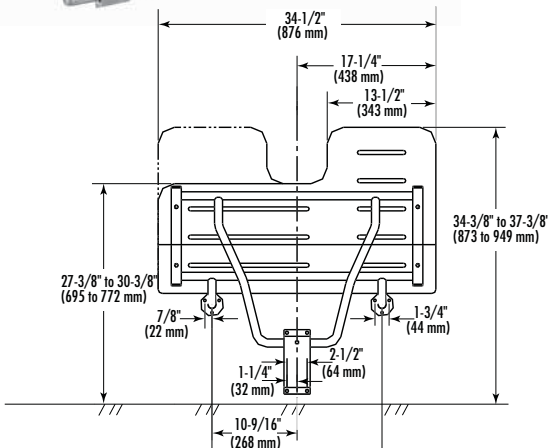
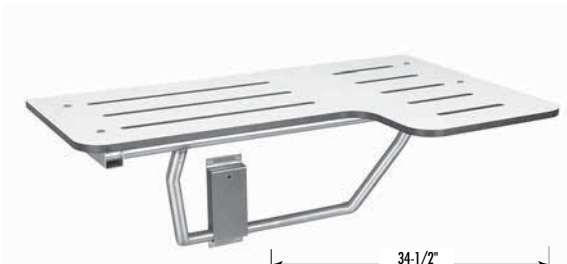
Fixed Corner Shower Seat



## MODEL 9562



Folding, phenolic shower seat. Stainless steel tubing with stainless steel wall bracket and piano hinges. Seat of 0.5" (13 mm) solid phenolic. Folds to vertical position when not in use. Designed to support up to 400 lb (181.4 Kg) static load.



## MODEL 9569



Frame fabricated with satin-finish, stainless steel, 16-gauge U-channel and 18-gauge 1" (25 mm) diameter tubing. Seat constructed of 0.5" (13 mm) thick solid phenolic with white matte melamine finish. Reversible in field to be right or left. Barrier-free design. For color options, please see website. When properly installed, designed to support up to 250 lb (113.4 Kg) static load.

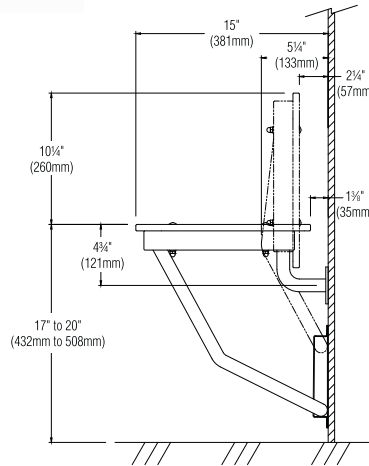
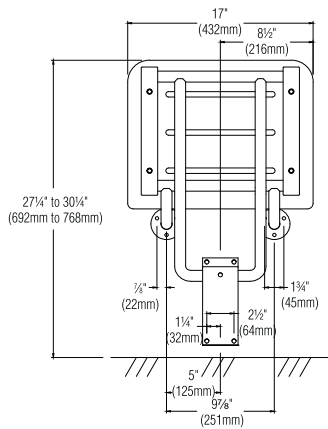
Reversible – Accommodates Right or Left Hand Configuration



## NEW MODEL 9591



Folding, phenolic shower seat. Stainless steel tubing with stainless steel wall bracket and piano hinges. Seat of 0.5" (13 mm) solid phenolic. Folds to vertical position when not in use. Designed to support up to 500 lb (226.8 Kg) static load.

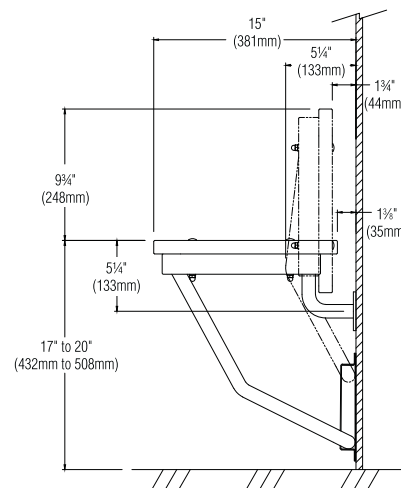
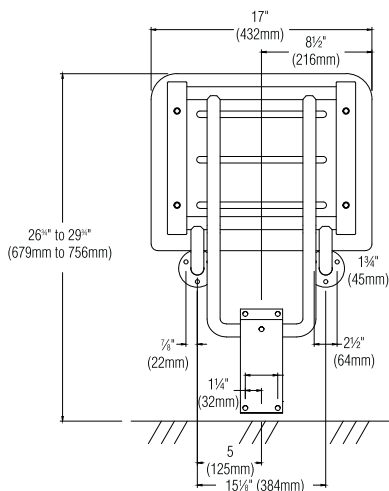


## NEW MODEL 9592



Folding, Bradmar™ solid plastic shower seat. Stainless steel tubing with stainless steel wall bracket and piano hinges. Seat of 1" (25 mm) thick high-density polyethylene. All exposed edges are machined smooth. Square configuration. Folds to vertical position when not in use. Designed to support up to 500 lb (226.8 Kg) static load.

Color: Linen cobblestone with textured finish.





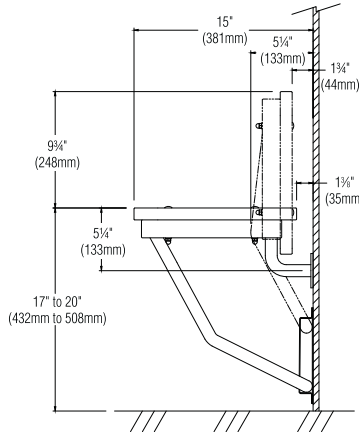
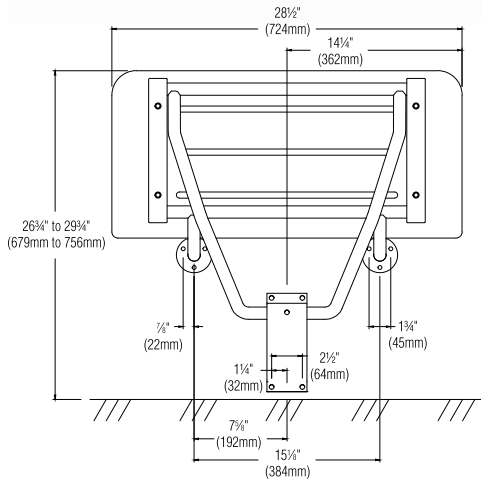


## NEW MODEL 9593



Folding, Bradmar™ solid plastic shower seat. Stainless steel tubing with stainless steel wall bracket and piano hinges. Seat of 1" (25 mm) thick high-density polyethylene. All exposed edges are machined smooth. Square configuration. Folds to vertical position when not in use. Designed to support up to 400 lb (181.4 Kg) static load.

Color: Linen cobblestone with textured finish.



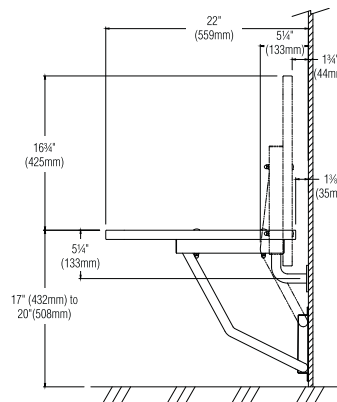
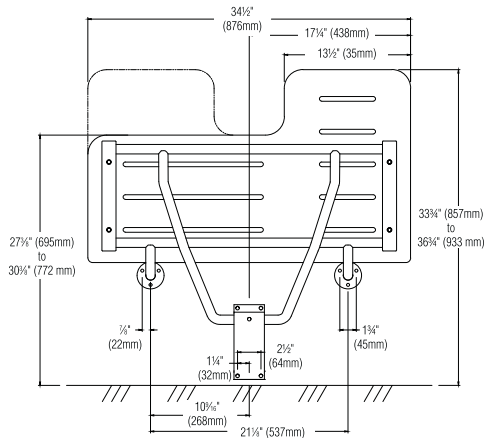
## NEW MODEL 9594



Folding, Bradmar solid plastic shower seat. Stainless steel tubing with stainless steel wall bracket and piano hinges. Seat of 1" (25 mm) thick high-density polyethylene. All exposed edges are machined smooth. Square configuration. Folds to vertical position when not in use. Designed to support up to 250 lb (113.4 Kg) static load.

Color: Linen cobblestone with textured finish.

Reversible – Accommodates Right or Left Hand Configuration





## MODEL 957

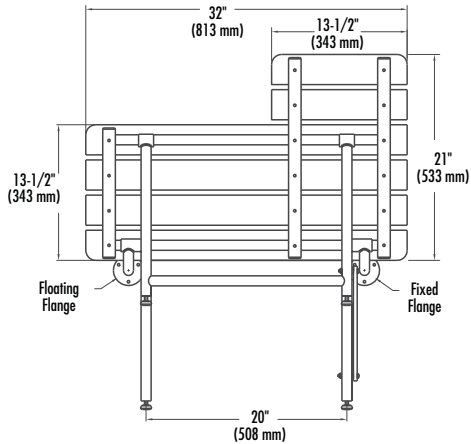


Folding bariatric shower seat with left hand configuration and barrier-free design. Frame fabricated of stainless steel tubing, 1.25" (32 mm) x 18-gauge square main frame with 1" (25 mm) x 18-gauge round cross members. Seat of 0.5" (13 mm) thick solid phenolic with white matte melamine finish. When properly installed, designed to support at least 1200 lb (544.3 Kg).

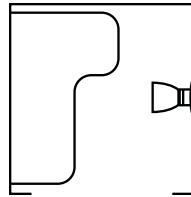
## MODEL 9571



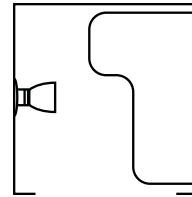
Right Hand Configuration



957



9571

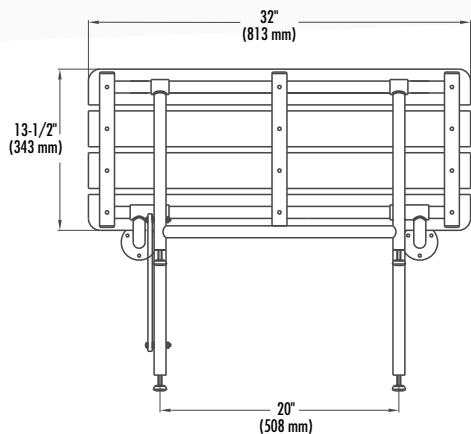


## MODEL 958



Bariatric Bench Shower Seat

Folding bariatric shower seat with barrier-free design. Frame fabricated of stainless steel tubing, 1.25" (32 mm) x 18-gauge square main frame with 1" (25 mm) x 18-gauge round cross members. Seat of 0.5" (13 mm) thick solid phenolic with white matte melamine finish. When properly installed, designed to support at least 1200 lb (544.3 Kg).





All shower curtains are available in widths of 36" (914 mm), 42" (1067 mm), 48" (1219 mm), 60" (1524 mm), or 72" (1829 mm) and heights of either 72" (1829 mm) or 78" (1981 mm).

## MODEL 9533



Vinyl shower curtain. Fabricated of 6-gauge vinyl material. Hemmed edges and heat-sealed grommets on 6" (152 mm) centers. Curtain is white in color.

## MODEL 9534

Duck shower curtain. Fabricated of 100% cotton duck material with hemmed top edges and chrome-plated nickel grommets on 6" (152 mm) centers. Curtain is white in color.

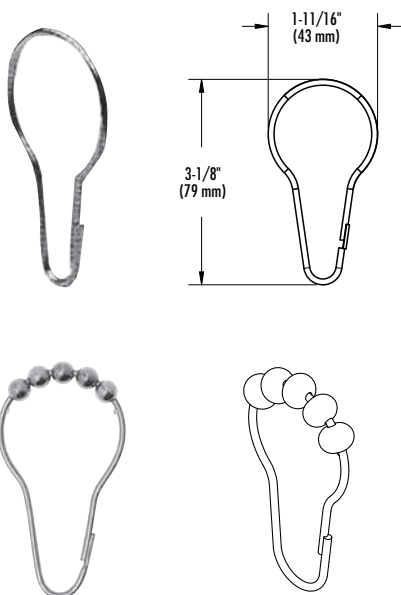
## MODEL 9535

Antimicrobial shower curtain. Fabricated of 10 oz (10 mil), nylonreinforced, antimicrobial, 8-gauge vinyl material. Flame resistant and self deodorizing with rust-proof grommet on 6" (152 mm) centers. All sides hemmed. Curtain is Green in color

## MODEL 9537



Same as model 9535 shower curtain in white



## MODEL 9536



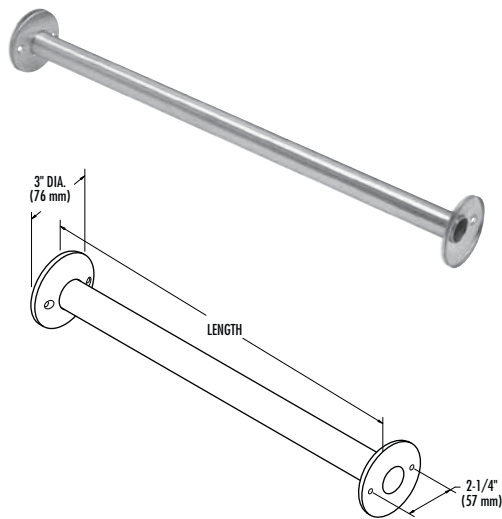
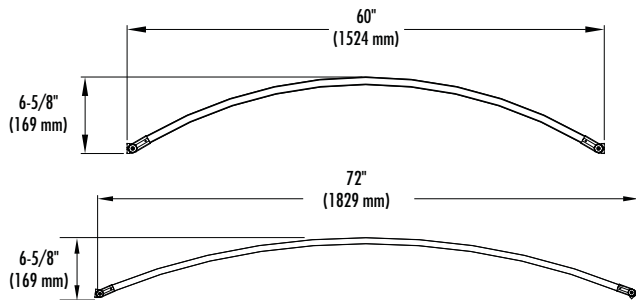
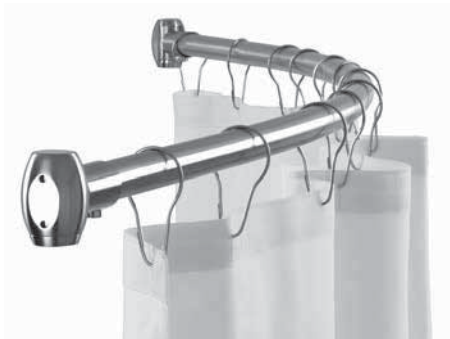
Shower curtain hook. Fabricated of stainless steel spring

## MODEL 9540



Shower curtain hook with rollers. Fabricated of stainless steel wire with snap fastener.

See technical data from website.



## MODEL 9530-60



Shower curtain rod fabricated of stainless steel, seamless construction with exposed surfaces in architectural satin finish. Accommodates 60" (1524 mm) shower stall increasing space in shower stall.

-78 Bright Polished Finish

## MODEL 9530-72

-78 Bright Polished Finish

## MODEL 9531



Heavy-duty shower curtain rod with exposed mounting. Rod of 18-gauge, satin-finish stainless steel; 1.25" (32 mm) O.D. Flanges of 22-gauge, satin-finish stainless steel; 3" O.D (76 mm). For lengths 72" (1829 mm) and greater, model 9522 is required. Must specify distance from ceiling.

BradEx Sizes:

36", 42", 48" and 60" (914 mm, 1067 mm, 1219 mm and 1524 mm)

## MODEL 9531-4

Bright Finish

For lengths 72" (1829 mm) and greater, model 9522 (ceiling support) is required. Must specify distance from ceiling.

## MODEL 953



Shower curtain rod of satin-finish stainless steel; 1" (25 mm) O.D. For rods over 72" (1829 mm) and L shaped, specify model 9531 or 9539.

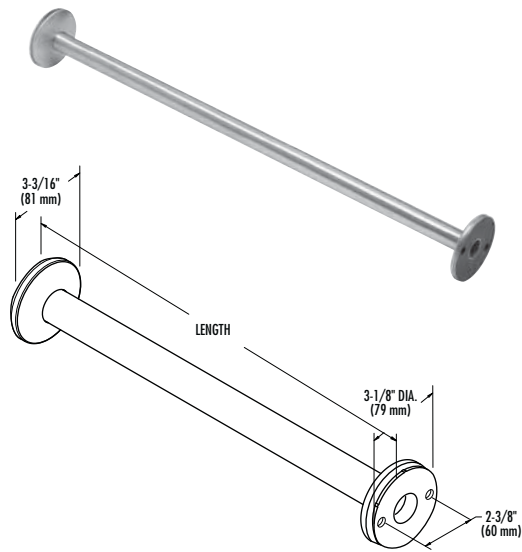
BradEx Sizes:

36", 48", 60" and 72"  
(914 mm, 1219 mm, 1524 mm and 1829 mm)

## MODEL 953-4



Bright Finish



## MODEL 9539

**BX**

Heavy-duty shower curtain rod with concealed mounting. Fabricated of satin-finish stainless steel; 1.25" (32 mm) O.D. Flanges 3.1875" (81 mm) O.D. Escutcheons snap over flanges to provide concealed mounting. For lengths 72" (1829 mm) and greater, model 9522 (ceiling support) is required. Must specify distance from ceiling.

Sizes:

36", 48" and 60" (914 mm, 1219 mm and 1524 mm)

## MODEL 9539-4

Bright Finish

For lengths 72" (1829 mm) and greater, model 9522 is required. Must specify distance from ceiling.

## MODEL 9538

**BX**

Shower curtain rod of satin-finish stainless steel; 1" (25 mm) O.D. For rods over 72" (1829 mm) and L shaped, specify model 9531 or 9539.

Sizes:

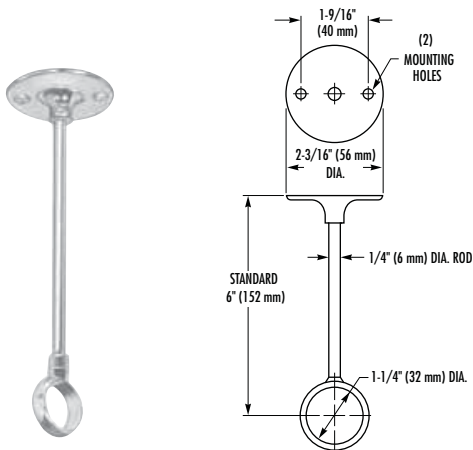
36", 42", 48", 60" and 72"

(914 mm, 1067 mm, 1219 mm, 1524 mm and 1829 mm)

## MODEL 9538-4

**BX**

Bright Finish



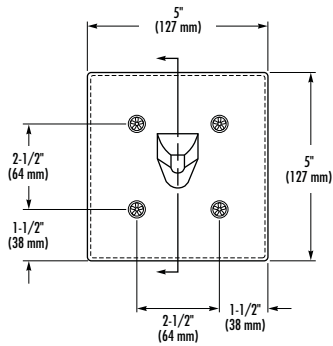
## MODEL 9522

Shower rod ceiling support. For 1.25" (32 mm) O.D. shower curtain rod. Chrome-plated brass bracket, stainless steel rod and collar.

Required for shower rod 72" (1829 mm) and greater. Must specify distance from ceiling.

## Security Accessories

You can rely on Bradley for a complete line of durable Security Fixtures for penal institutions and detention facilities. Our broad-based accessory line ranges from bookshelves and clothes hooks to soap dishes and tissue holders. All are fabricated of heavy-duty stainless steel.



### MODEL SA30

Security towel hook fabricated of heavy-duty stainless steel with exposed surfaces in architectural satin finish. One-piece formed and ground smooth.

Chase-Mounted

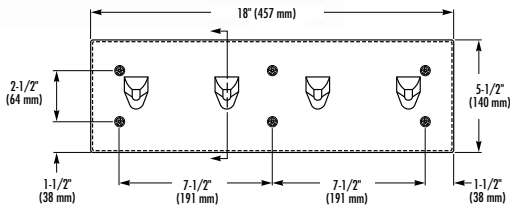
Unit measures 5" W x 5" H (127 x 127 mm)

Projects 1.3125" (33 mm) from wall

### MODEL SA31



Front-Mounted (shown)



### MODEL SA32

Security towel hook strip fabricated of heavy-duty stainless steel with exposed surfaces in architectural satin finish. All seams are welded and ground smooth.

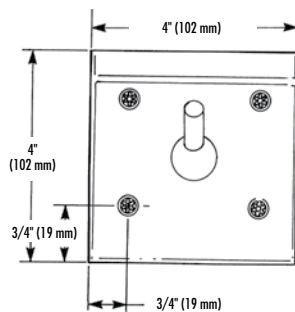
Chase-Mounted

Unit measures 18" W x 5.5" H (457 x 140 mm)

Projects 1.3125" (33 mm) from wall

### MODEL SA33

Front-Mounted (shown)



### MODEL SA35

Security towel hook backplate fabricated of heavy-duty stainless steel in architectural satin finish. Safety hook of stainless steel with pivoting ball joint that releases when excessive force is applied.

Chase-Mounted (shown to the left, top)

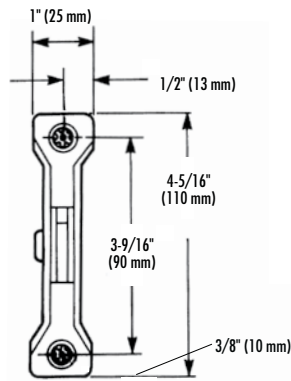
Unit measures 4" W x 4" H (102 x 102 mm)

Projects 2.25" (57 mm) from wall

### MODEL SA36



Front-Mounted (shown to the left, bottom)



## MODEL SA37

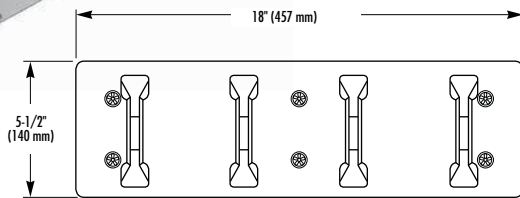
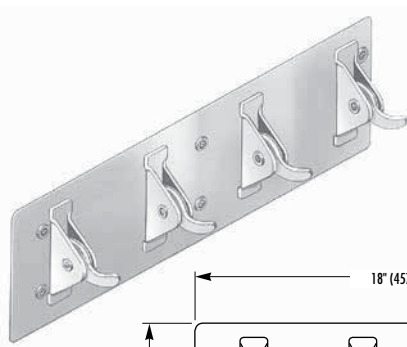


Safety clothes hook. Bracket is fabricated of heavy-duty stainless steel with stainless steel hook. Hook trips into down position when excessive loading is applied. Tension can be adjusted by special torx driver.

Front-Mounted

Unit measures 1" W x 4.3125" H (25 x 110 mm)

Projects 3" (76 mm) from wall



## MODEL SA38

Security clothes hook strip. Bracket is fabricated of heavy-duty stainless steel with stainless steel hook. Hook trips into down position when excessive loading is applied.

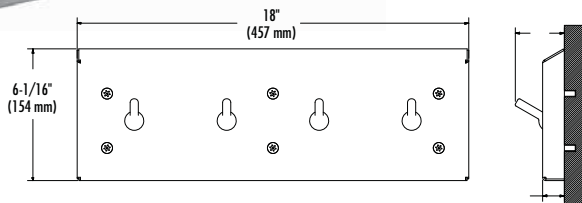
Chase-Mounted

Unit measures 18" W x 5.5" H (457 x 140 mm)

Projects 3" (76 mm) from wall

## MODEL SA39

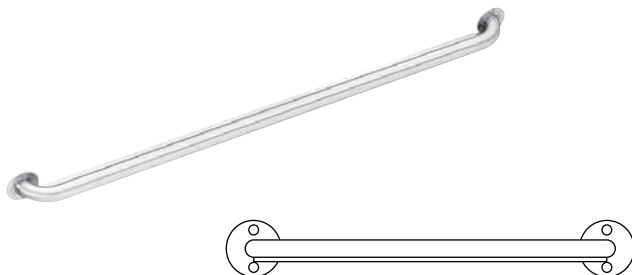
Front-Mounted (shown)



## MODEL SA41

Security towel hook strip fabricated of heavy-duty stainless steel with exposed surfaces in architectural satin finish. All seams are welded and ground smooth. Safety hooks with pivoting ball joints that release when excessive force is applied.

Unit measures 18" W x 6.0625" H x 2.25" D (457 x 154 x 57 mm)

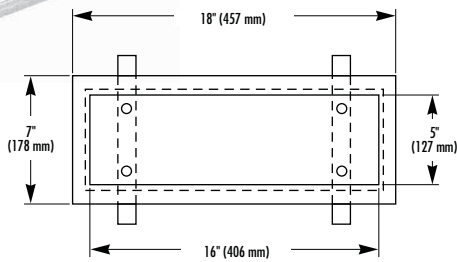
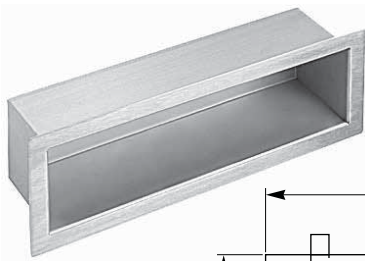


## MODEL SA70

Grab bar, heavy-duty stainless steel tubing 1.5" (38 mm) O.D. with welded stainless steel mounting flanges. Meets or exceeds the requirements of ANSI Standard A117.1, the ADA and ABA Accessibility Guidelines for Buildings and Facilities (ADAAG) and the Uniform Federal Accessibility Standard (UFAS). Exposed front mounting with torx-head screws with welded stainless steel closure plate. Available in -001, -002 and -059 Configuration.

See technical data for BradEX sizes



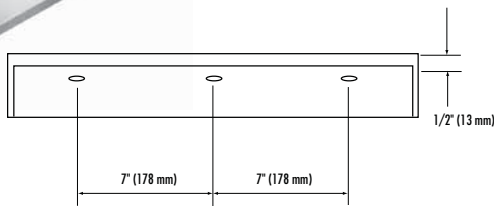
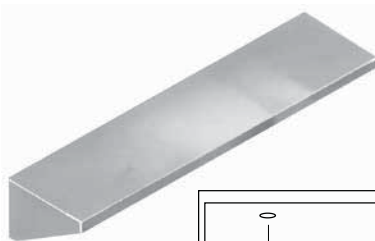


## MODEL SA47

Chase mounted, recessed shelf is fabricated of heavy-duty stainless steel with exposed surfaces in satin finish. Threaded studs are provided for rear mounting to specified wall thickness.

Chase-Mounted

Unit 18" (457 mm) measures 16" W x 5" H x 4" D (406 x 127 x 102 mm) with 18" x 7" flange (457 x 178 mm)



## MODEL SA49

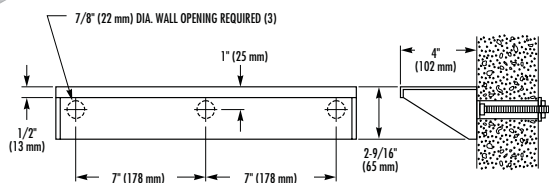


Security, recessed shelf fabricated of heavy-duty stainless steel with exposed surfaces in architectural satin finish. All welds are ground smooth with polished corners and burr-free edges. Back of shelf has welded anchor nuts to receive threaded studs (provided).

Chase-Mounted

Unit measures 16" W x 2.5625" H (406 x 65 mm)

Projects 4" (102 mm) from wall



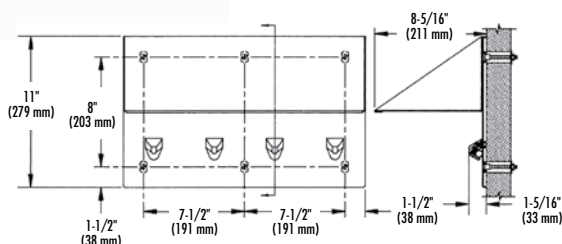
## MODEL SA50

Chase mounted, security shelf with toothbrush slots. Fabricated of heavy-duty stainless steel in architectural satin finish. Four slots for toothbrushes. Threaded studs are provided for rear mounting to specified wall thickness.

Chase-Mounted

Unit measures 18" W x 2.5625" H (457 x 65 mm)

Projects 4" (102 mm) from wall.



## MODEL SA51

Security bookshelf with clothes hooks fabricated of heavy-duty stainless steel with exposed surfaces in architectural satin finish. All seams are welded and ground smooth. Shelf interior is glass blasted to a uniform finish. Safety hooks fabricated of bright, chrome-plated brass housing with stainless steel ball and spring. Friction mechanism releases when excessive force is applied.

Chase-Mounted (shown)

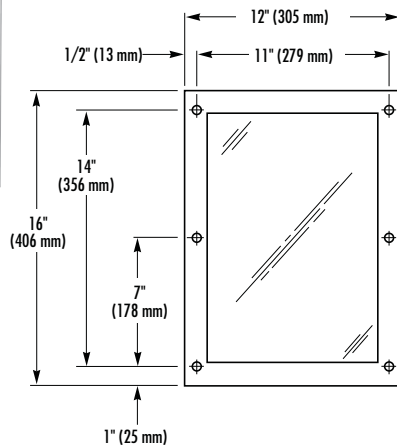
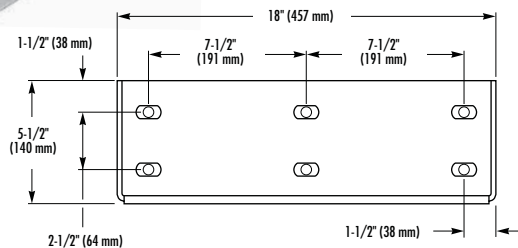
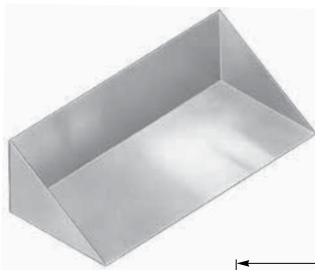
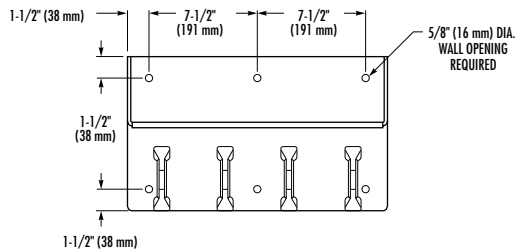
Unit measures 18" W x 11" H (457 x 279 mm)

Projects 8.3125" (211 mm) from wall.

## MODEL SA52

Front-Mounted





## MODEL SA53

Security bookshelf with clothes hooks. Shelf and backplate are fabricated of heavy-duty stainless steel with architectural satin finish. Shelf interior is glass-blast satin finish. Bracket is fabricated of heavy-duty stainless steel with stainless steel hooks. Threaded studs are provided for rear mounting to specified wall thickness.

Chase-Mounted (shown)

Unit measures 18" W x 11" H (457 x 279 mm)

Projects 8" (203 mm) from wall

## MODEL SA54

Front-Mounted

## MODEL SA55

Security bookshelf fabricated of heavy-duty stainless steel with exposed surfaces in architectural satin finish. All seams are welded and ground smooth. Shelf interior is glass-bead blast finish. Backplate on rear-mounted unit has welded anchor nuts to receive threaded studs (provided).

Chase-Mounted (shown)

Unit measures 18" W x 5.5" H (457 x 140 mm)

Projects 8" (203 mm) from wall

## MODEL SA56

Front-Mounted

## MODEL SA01

Security mirror frame fabricated of 14-gauge stainless steel. Reinforced with fiberboard backing. Chase mounted with welded anchor nuts on back of frame. Furnished with 0.25"-20 threaded studs cut to length for specified wall thickness. Designed for areas where ordinary mirrors are subject to breakage or theft, or can be used as weapons.

Unit measures 12" W x 16" H (305 x 406 mm)

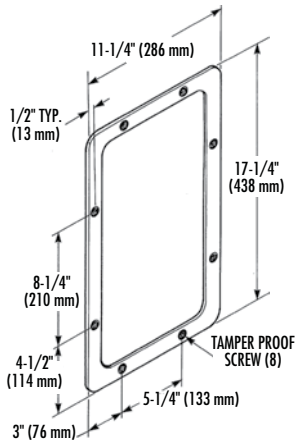
-1 20-gauge, 300 series stainless steel polished to a No. 8 architectural finish.

-2 20-gauge, 400 series stainless steel with bright annealed finish.

-5 Plexiglas® mirror.

## MODEL SA03

Front mounted furnished with vandal-resistant, torx-head machine screws.



## MODEL SA05

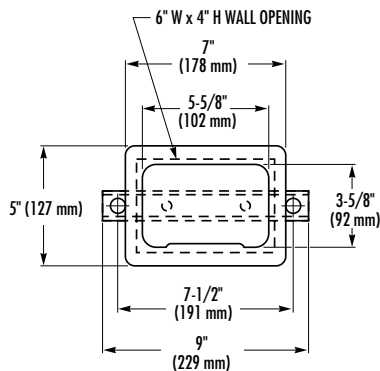


Integral frame security mirror fabricated of stainless steel polished to No. 8 architectural bright finish. Counter-sunk holes for mounting. Furnished with 0.25" (6 mm) tamper-resistant machine screws. Designed for areas where ordinary mirrors are subject to breakage or theft, or can be used as weapons. (shown)

Unit measures 11.25" W x 17.25" H (286 x 438 mm)

## MODEL SA06

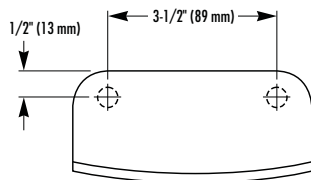
Unit measures 10.0625" W x 11.5625" H



## MODEL SA16

Chase-mounted, recessed soap dish fabricated of heavy-duty stainless steel with exposed surfaces in architectural satin finish. Rim of dish is beveled to insure tight fit to wall surface. Threaded studs are provided for rear chase mounting to specified wall thickness.

Unit measures 5.625" W x 3.625" H x 2.75" D (143 x 92 x 70 mm) with 5" x 7" (127 x 178 mm) flange



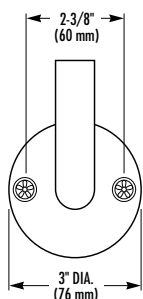
## MODEL SA21

Soap dish fabricated of heavy-duty stainless steel in architectural satin finish. Formed from single-piece stainless steel with three drain holes.

Welded anchor nuts to receive 0.25"-20 provided studs. Nuts and washers included. Chase-Mounted

## MODEL SA22

Soap dish supplied with 0.25"-20 x 1.5" L torx-head machine screws for installation to wall anchors. Front-Mounted (shown).



## MODEL SA09

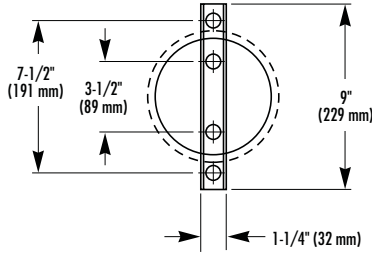


Security toilet tissue holder is fabricated of heavy-duty, seamless stainless steel tubing with architectural satin finish. Stainless steel end cap is welded and ground smooth.

Chase-Mounted

## MODEL SA10

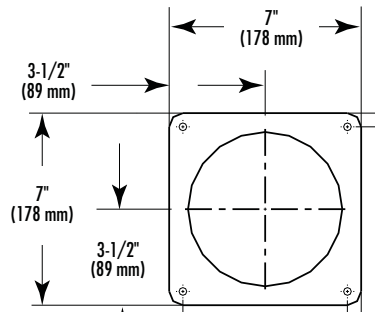
Front-Mounted (shown)



## MODEL SA11



Chase-mounted, recessed, roll toilet tissue holder is one-piece, drawn stainless steel, seamless construction, 4.3125" (110 mm) deep, 5.5" (140 mm) inside diameter. Roll will project if contraband is concealed behind tissue. Threaded studs are provided for rear mounting to specified wall thickness.

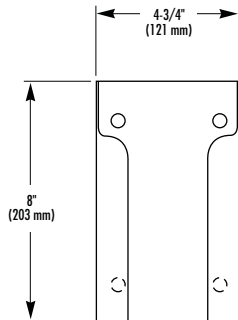


## MODEL SA12



Front-mounted, recessed, roll toilet tissue holder is one-piece, drawn construction with welded front flange plate. Unit is 4.3125" (110 mm) deep, 5.5" (140 mm) inside diameter. Roll will project if contraband is concealed behind tissue.

Unit measures 7" W x 7" H x 4.5" D (178 x 178 x 114 mm)



## MODEL SA13



Security toilet tissue holder is fabricated of heavy-duty, seamless stainless steel with exposed surfaces in architectural satin finish. Interior is satin-gloss blast finish. All welds and edges are ground smooth and corners are rounded.

Chase-Mounted

Unit measures 4.75" W x 8" H (121 x 203 mm)

Projects 2.75" (70 mm) from wall.

## MODEL SA14

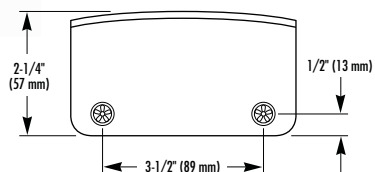


Front-Mounted (shown)

## MODEL SA15



Partition-Mounted (for 1" (25 mm) thick partitions)



## MODEL SA25



Security toothbrush holder fabricated of heavy-duty stainless steel with exposed surfaces in architectural satin finish. Formed from single piece of stainless steel. Holds 4 toothbrushes.

Chase-Mounted

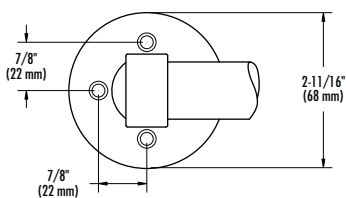
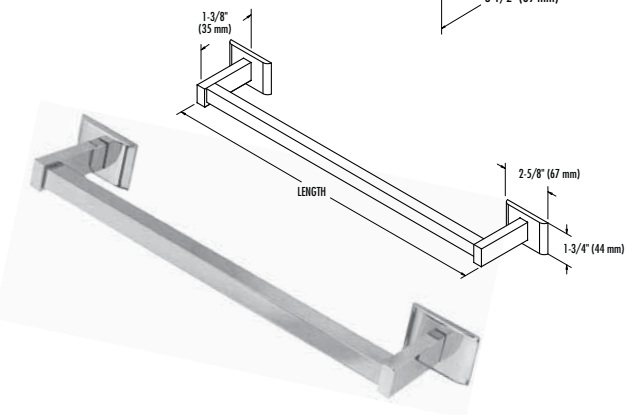
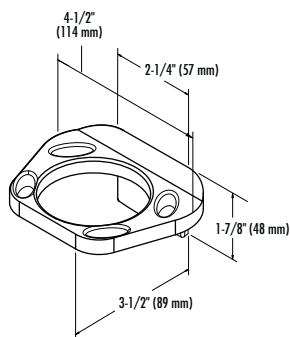
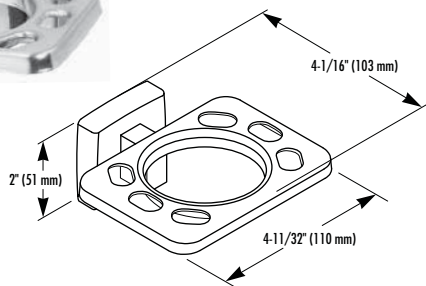
Unit measures 5" W x 2.25" H (127 x 57 mm)

Projects 2.8125" (71 mm) from wall

## MODEL SA26

Front-Mounted (shown)

Bradley offers quality crafted accessories for hotel washrooms and showers. Sturdy, stainless steel construction provides years of dependable service. Attractive, streamlined design works well with contemporary or traditional styling. Available in a variety of finishes to complement any hotel decor.



## MODEL 9044



Surface-mounted stainless steel tumbler and toothbrush holder. Concealed mounting plate with set screw.

Satin Finish

Unit measures 4.34375" W x 4.0625" D (110 x 103 mm)

## MODEL 9045

Bright Polish Finish

## MODEL 924

Surface-mounted tumbler and toothbrush holder. Concealed mounting plate with set screw.

Chrome-plated Zamac

Unit measures 4.5" W x 3.5" D (114 x 89 mm)

## MODEL 907



Towel bar. Snaps over concealed mounting plate

Chrome Plated Brass

Unit available in 18," 24" and 36" (457 mm, 610 mm and 914 mm) widths.

Projects 1.375" (35 mm) from wall

## MODEL 908



Heavy-duty, surface-mounted, round towel bar. Support posts are chrome-plated brass with satin finish. Bar is satin finish stainless steel, 1" (25 mm) O.D.

Satin Finish

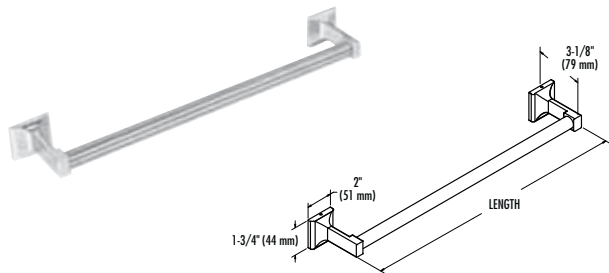
Unit available in 18," 24" and 30" (457 mm, 610 mm and 762 mm) widths.

Projects 3.25" (83 mm) from wall.

-18 18" (457 mm) Length

-24 24" (610 mm) Length





## MODEL 926



Surface-mounted, 0.75" (19 mm) round towel bar. Concealed mounting plate with set screw.

Chrome-plated Zamac

Unit available in 18" and 24" (457 mm and 610 mm) widths

Projects 3.125" (79 mm) from wall

## MODEL 9054



Surface-mounted stainless steel, 0.75" (19 mm) square towel bar. Concealed mounting plate with set screw.

Satin Finish

Units available in 18", 24" and 30"\* (457 mm, 610 mm and 762 mm) widths. 30" (762 mm) not available for BradEX shipment.

Projects 3" (76 mm) from wall

## MODEL 9055



Bright Polish Finish

## MODEL 9065



Surface-mounted stainless steel, 0.75" (19 mm) round towel bar. Concealed mounting plate with set screw.

Satin Finish

Units available in 18", 24" and 30"\* (457 mm, 610 mm and 762 mm) widths. 30" (762 mm) not available for BradEX® shipment.

Projects 3" (76 mm) from wall

## MODEL 9066



Bright Polish Finish

## MODEL 9094

Surface-mounted stainless steel, 5" (127 mm) D shelf. Concealed mounting plate with set screw.

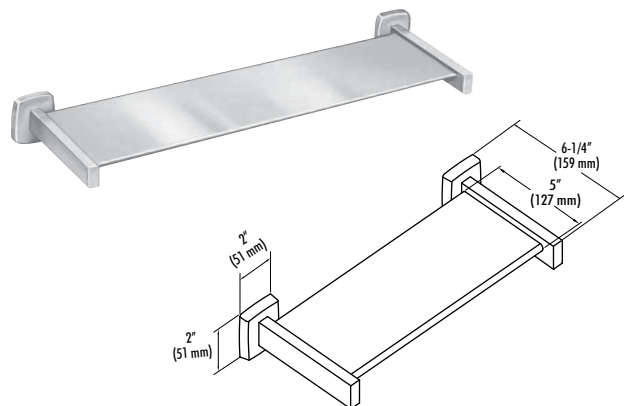
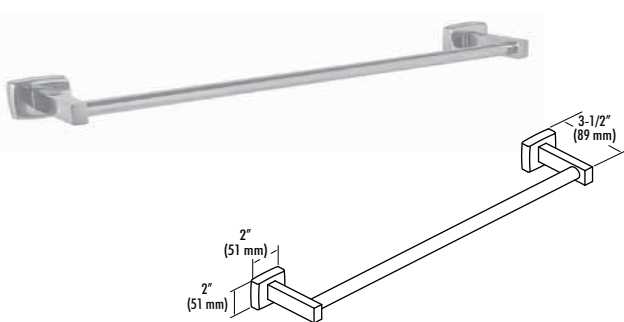
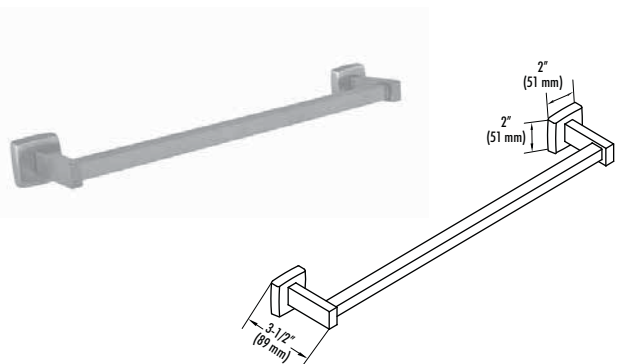
Satin Finish

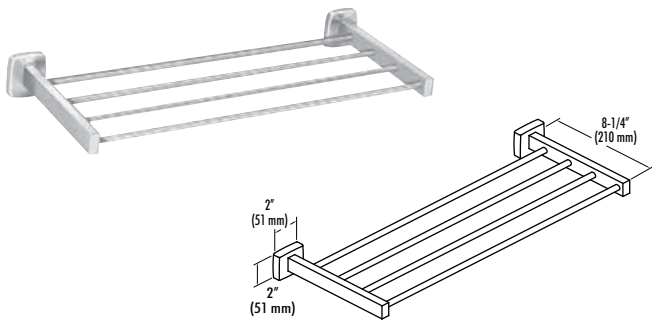
Units available in 18" or 24" (457 mm and 610 mm) widths

Projects 6.25" (159 mm) from wall

## MODEL 9095

Bright Polish Finish (shelf is satin finish)





## MODEL 9104

Surface-mounted stainless steel, 8" (203 mm) D towel shelf. Concealed mounting plate with set screw.

Satin Finish

Units available in 18" or 24" (457 mm and 610 mm) widths

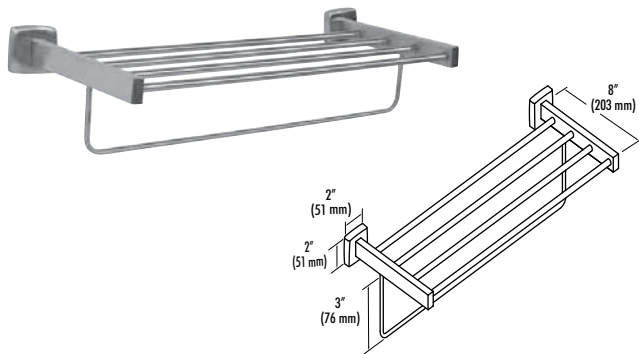
See technical data for BradEX sizes



## MODEL 9105

Bright Polish Finish

-63 without drain holes



## MODEL 9104-90

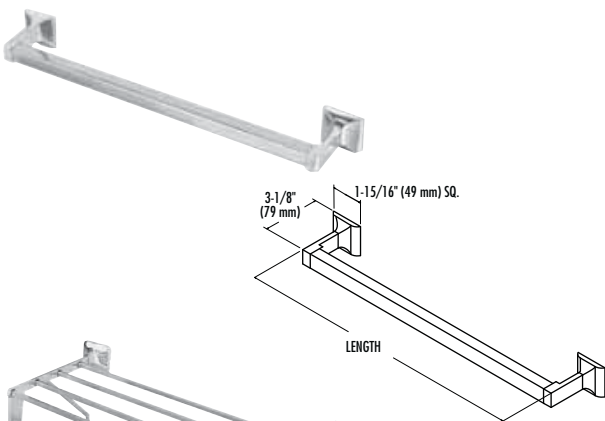
Surface-mounted stainless steel, 8" (203 mm) D towel shelf with towel bar. Concealed mounting plate with set screw.

Satin Finish

Units available in 18" or 24" (457 mm and 610 mm) widths

## MODEL 9105-90

Bright Polish Finish



## MODEL 927

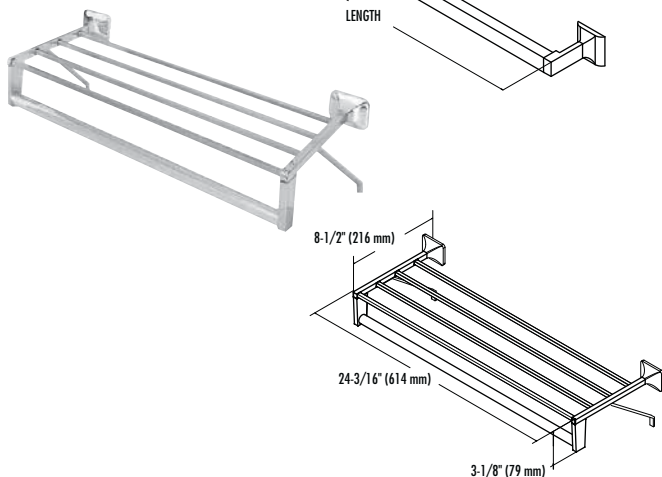


Surface-mounted, 0.75" (19 mm) square towel bar. Concealed mounting plate with set screw.

Chrome-plated Zamac

Unit available in 18" and 24" (457 mm and 610 mm) widths

Projects 3.125" (79 mm) from wall.



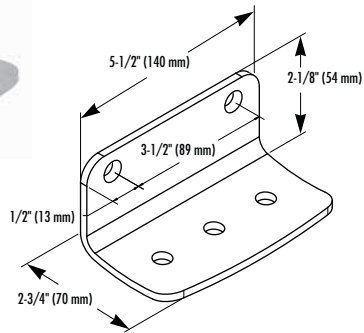
## MODEL 9301



Surface-mounted, 8.5" (216 mm) deep towel shelf with towel bar and support braces. Concealed mounting plate with set screw.

Chrome-plated Zamac

Unit available in 18" or 24" (457 mm and 610 mm) widths.



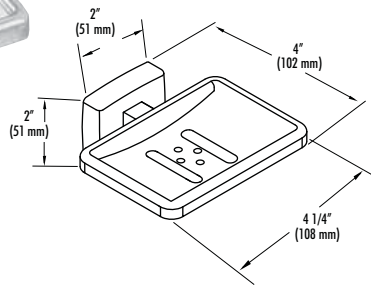
## MODEL 900



Surface-mounted stainless steel, extra heavy-duty, 7-gauge soap dish with drain holes.

Satin Finish

Unit measures 5.5" W x 2.125" H x 2.75" D (140 x 54 x 70 mm)



## MODEL 9014



Surface-mounted stainless steel soap dish with drain holes. Concealed mounting plate with set screw.

Satin Finish

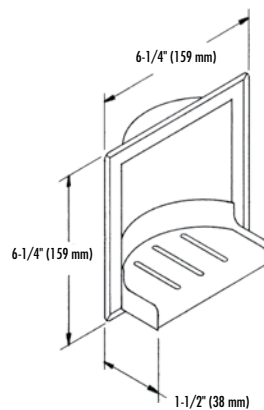
Unit measures 4.25" W x 4" D (108 x 102 mm)

-63 Without Drain Holes

## MODEL 9015



Bright Polish Finish



## MODEL 9352



Recess-mounted stainless steel soap dish. Plastic soap tray.

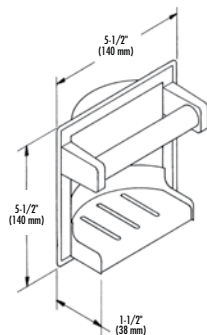
Bright Polish Finish

Rough wall opening 5.25" W x 5.25" H x 2" D (133 x 133 x 51 mm)

## MODEL 9353



Satin Finish



## MODEL 9362

Recess-mounted soap dish. Heavy, clear-plastic soap tray.

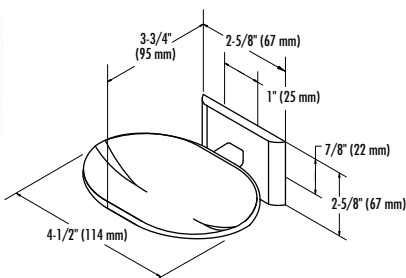
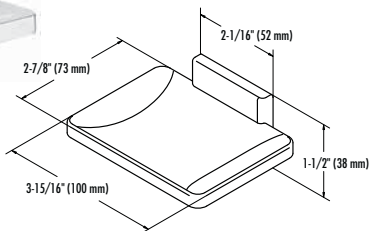
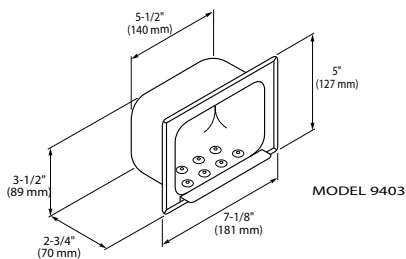
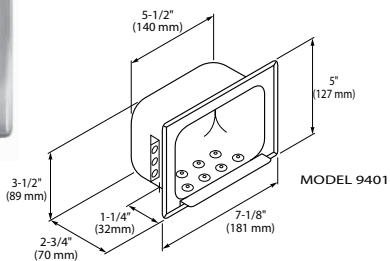
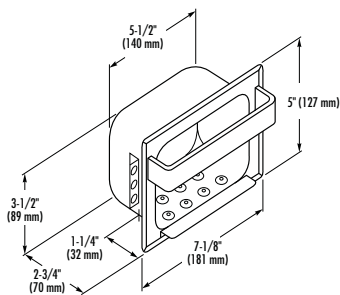
Bright Polish Finish Stainless Steel

Rough wall opening 5.25" W x 5.25" H x 2" D (133 x 133 x 51 mm)

-55 Back Clamp for Drywall Mounting

## MODEL 9363

Satin Stainless Steel



## MODEL 940

Recess-mounted stainless steel soap dish. Unit anchors in masonry walls with mortar lugs.

Satin Finish

Rough wall opening 6.25" W x 4.25" H x 2.75" D (159 x 108 x 70 mm)

## MODEL 9402

Unit with back clamp for drywall mounting

## MODEL 9401



Recess-mounted stainless steel soap dish

Rough wall opening 6.25" W x 4.25" H x 2.75" D (159 x 108 x 70 mm)

With Mortar Lugs (shown to the left, top)

## MODEL 9403



With Wall Clamp (shown to the left, bottom)

## MODEL 9403-96

Unit without drip lip

## MODEL 921

Surface-mounted soap dish. Concealed mounting plate with set screw.

Chrome-plated Zamac

Unit measures 3.9375" W x 2.875" D (100 x 73 mm)

## MODEL 921-60

With Drain Holes

## MODEL 901

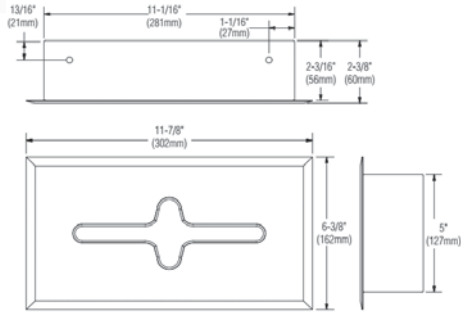
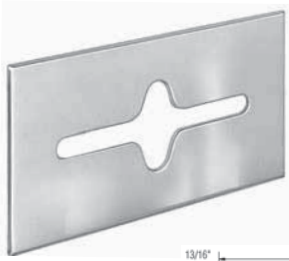
Soap dish. Snaps over concealed mounting plate.

Chrome Plated Brass

## MODEL 901-60

With Drain Holes





## MODEL 987



Recess-mounted facial tissue dispenser fabricated of stainless steel with exposed surfaces in satin finish. Rolled rim on face plate opening. Holds one box of 100 tissues.

Satin Finish

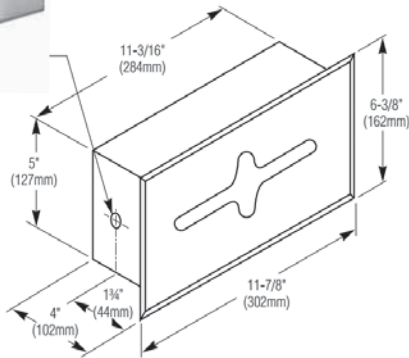
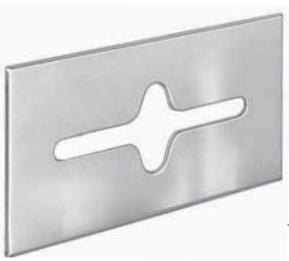
Unit measures 11.625" W x 6.25" H x 2.625" D (295 x 159 x 67 mm)

## MODEL 987-78



Polished Stainless Steel Finish

See [bradleycorp.com](http://bradleycorp.com) for exact dimensions of each model.



## MODEL 987-36

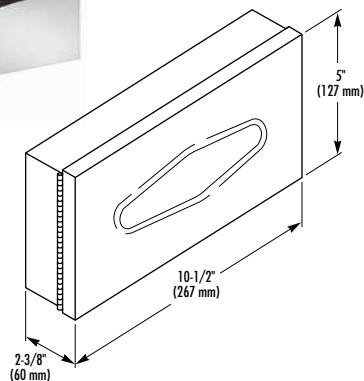
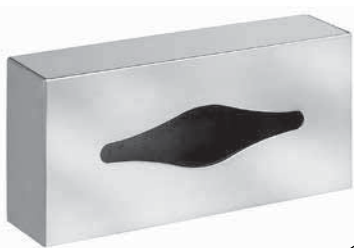


Recess-mounted, large-capacity facial tissue dispenser fabricated of stainless steel with exposed surfaces in satin finish. Holds one box of 300 tissues.

Satin Finish

Rough wall opening 10.75" W x 5.125" H x 4" D (273 x 130 x 102 mm)

See [bradleycorp.com](http://bradleycorp.com) for exact dimensions of each model.



## MODEL 987-11

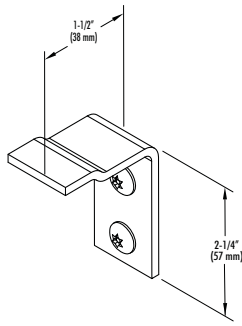


Surface-mounted facial tissue dispenser fabricated of stainless steel with exposed surfaces in satin finish. Holds one box of 100 tissues.

Satin Finish

Unit measures 10.5" W x 5" H x 2.375" D (267 x 127 x 60 mm)

See [bradleycorp.com](http://bradleycorp.com) for exact dimensions of each model.



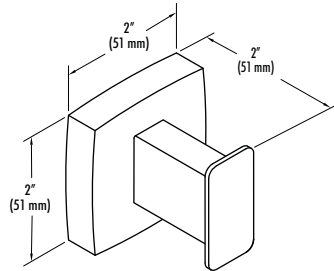
## MODEL 9111



Surface-mounted stainless steel clothes hook. Exposed mounting.

Satin Finish

Projects 1.5" (38 mm) from wall



## MODEL 9114

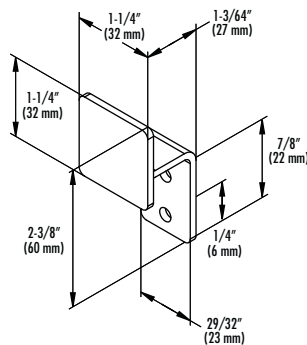


Surface-mounted stainless steel, single robe hook. Concealed mounting plate with set screw.

Satin Finish

Units measure 2" W x 2" H (51 x 51 mm)

Projects 2" (51 mm) from wall



## MODEL 9115



Bright Polish Finish

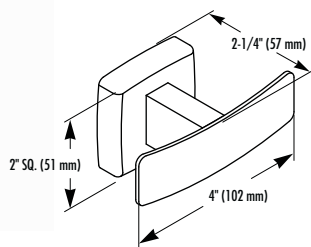
## MODEL 917



Surface-mounted stainless steel, single robe hook. Exposed mounting.

Satin Finish

Projects 1.125" (29 mm) from wall



## MODEL 9124



Surface-mounted stainless steel, double robe hook. Concealed mounting plate with set screw.

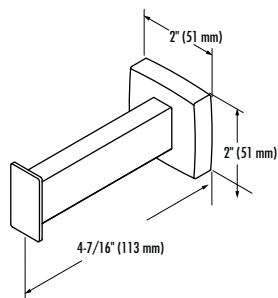
Satin Finish

Projects 2.25" (57 mm) from wall

## MODEL 9125



Bright Polish Finish



## MODEL 9314



Surface-mounted stainless steel towel hook. Concealed mounting plate with set screw.

Satin Finish

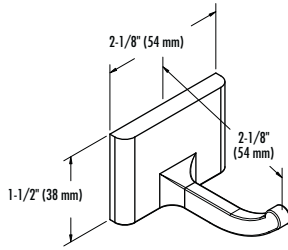
Projects 4.4375" (113 mm) from wall

## MODEL 9315



Bright Polish Finish

Projects 4.125" (105 mm) from wall



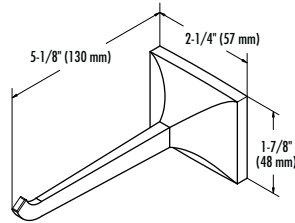
### MODEL 931



Surface-mounted, single robe hook. Concealed mounting plate with set screw.

Chrome-plated Zamac

Projects 2.125" (54 mm) from wall

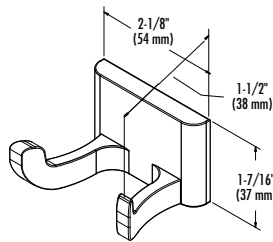


### MODEL 9311

Surface-mounted towel hook. Concealed mounting plate with set screw.

Chrome-plated Zamac

Projects 5.125" (130 mm) from wall.



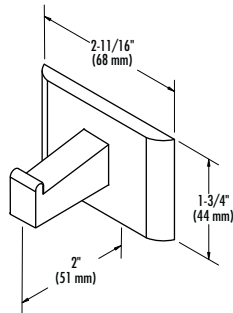
### MODEL 932



Surface-mounted, double robe hook. Concealed mounting plate with set screw.

Chrome-plated Zamac

Projects 1.5" (38 mm) from wall



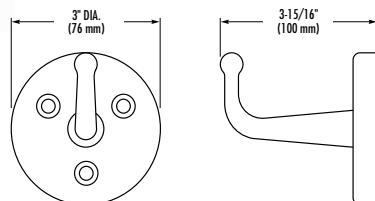
### MODEL 911



Single robe hook. Snaps over concealed mounting plate.

Chrome-plated Brass

Projects 2" (51 mm) from wall



### MODEL 9118



Robe hook constructed of forged brass with bright chrome finish

Unit measures 3" (76 mm) in diameter

Projects 3.9375" (100 mm) from wall

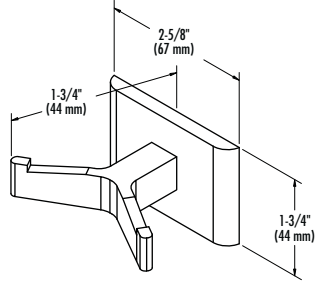
Exposed Mounting

-81 Satin Chrome-Plated Brass

### MODEL 9119



Concealed Mounting



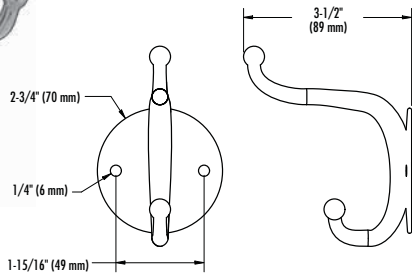
## MODEL 912



Double robe hook. Snaps over concealed mounting plate.

Chrome-plated Brass

Projects 1.75" (44 mm) from wall



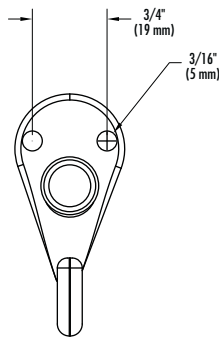
## MODEL 914



Double hook. Exposed fasteners. Unit measures 2.75" in diameter.

Chrome-plated Brass

Projects 1.5" (38 mm) and 3.5" (89 mm) from wall



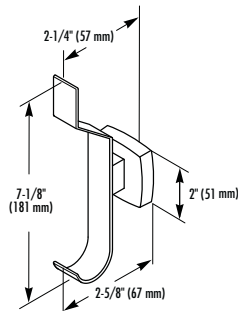
## MODEL 915



Hook and bumper. Exposed fasteners.

Chrome-plated Brass

Projects 3" (76 mm) from wall.



## MODEL 9134



Surface-mounted stainless steel, combination hat and coat hook. Concealed mounting plate with set screw.

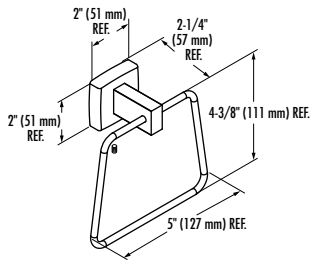
Satin Finish

Projects 2.625" (67 mm) from wall

## MODEL 9135



Bright Polish Finish



**MODEL 9334**  

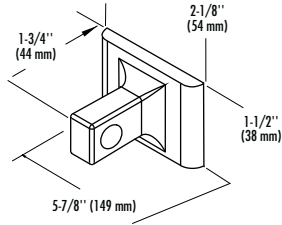
Surface-mounted stainless steel towel ring. Concealed mounting plate with set screw.


Satin Finish

Projects 2.375" (60 mm) from wall

**MODEL 9335**  

Bright Polish Finish

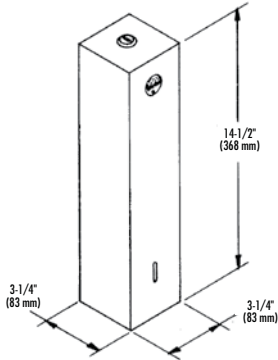


**MODEL 934**  

Surface-mounted towel ring. Concealed mounting plate with set screw.

Chrome-plated Zamac

Projects 1.75" (44 mm) from wall



**MODEL 9495**

Surface-mounted cup dispenser. Fabricated of 22-gauge stainless steel with exposed surfaces in architectural satin finish. Cabinet hinged at bottom and secured with tumbler lock on top. Holds 150 - 3 oz (89 ml) cups. Also accommodates 7 oz (207 ml) cups.

Unit measures 3.25" W x 14.5" H x 3.25" D (83 x 368 x 83 mm)



**MODEL 947**

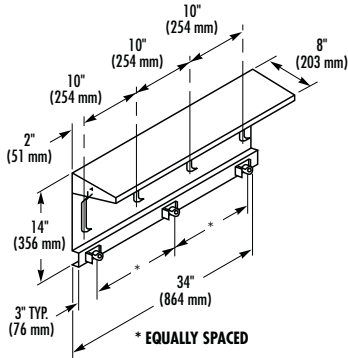
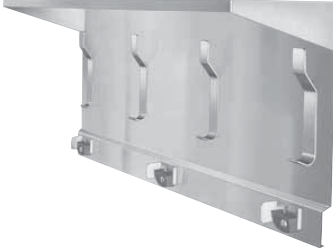
Surface-mounted retractable clothesline. Constructed of heavygauge No. 8 bright polished stainless steel. Cord length is 6' (1.83 M).



**MODEL 9164**

Surface-mounted, satin finish stainless steel bottle opener.

Bradley offers a variety of hook, holder and shelf combinations to organize custodial equipment. Different configurations are available to fit any need or any space. Welded stainless steel construction stands up to tough use. Available in architectural satin finish.



## MODEL 9933 BX

One-piece construction with welded gusset and hooks. Mop and broom holders consist of spring-activated rubber cams on plated steel retainers.

Unit measures 14" H x 34" L (356 x 864 mm).  
Shelf projects 8" (203 mm) from wall

Has 4 hooks and 3 holders

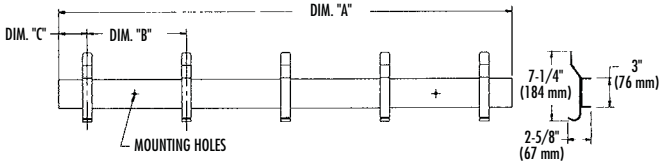
## MODEL 9934

Unit 44" (1118 mm) L, has 5 hooks and 4 holders.



## MODEL 9943 BX

Unit measures 7.25" H x 24" L (184 x 610 mm).  
Projects 2.25" (57 mm) from wall. Has 3 hooks.



## MODEL 9944 BX

Unit 36" (914 mm) L, has 4 hooks

## MODEL 9945 BX

Unit 48" (1219 mm) L, has 5 hooks

## MODEL 9946 BX

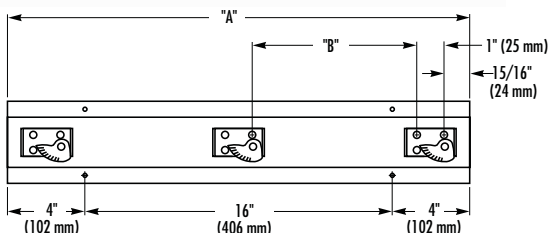
Unit 60" (1524 mm) L, has 6 hooks



## MODEL 9953 BX

Surface-mounted mop and broom holder. Fabricated of satinfinish stainless steel. Mop and broom holders consist of springactivated rubber cams on plated-steel retainers.

Unit measures 4" H x 24" L (102 x 610 mm).  
Projects 2.75" (70 mm) from wall. Has 3 holders.

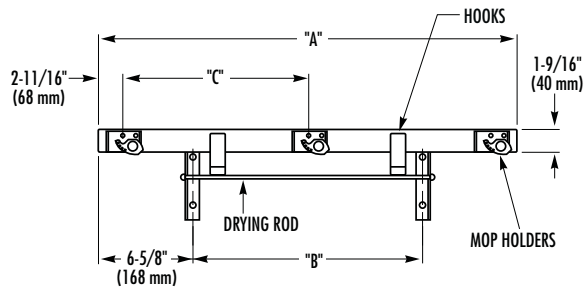
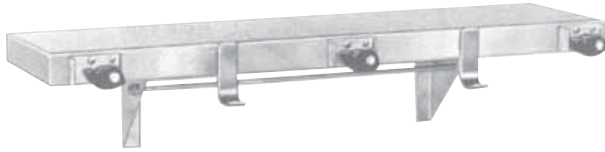


## MODEL 9954 BX

Unit 36" (914 mm) L, has 4 holders

## MODEL 9955

Unit 48" (1219 mm) L, has 5 holders



### MODEL 9983

Surface-mounted utility shelf with drying rod. Fabricated of satinfinish stainless steel. Mop and broom holders of spring-activated rubber cams on plated-steel retainers.

Unit measures 30" L x 8" D (762 x 203 mm). Has 2 hooks and 3 holders.

### MODEL 9984



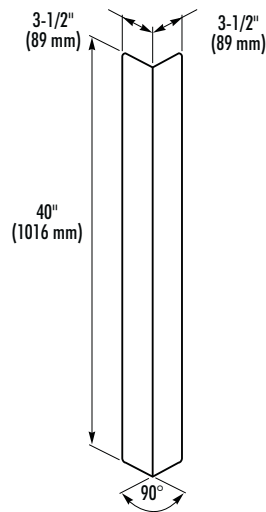
Unit 36" (914 mm) L, has 3 hooks and 4 holders

### MODEL 9985

Unit 42" (1067 mm) L, has 4 hooks and 5 holders

### MODEL 9986

Unit 48" (1219 mm) L, has 5 hooks and 6 holders



### MODEL 991

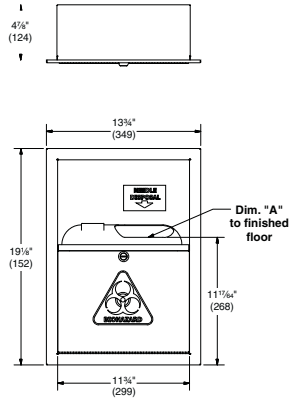
Corner guard, fabricated of stainless steel with exposed surfaces in architectural satin finish. Exposed surfaces are rounded. No sharp corners. Secured to wall with special adhesive backing.

Unit measures 3.5" W x 40" H (89 x 1016 mm)

See technical data for BradEX sizes



Hygiene, durability and safety are featured in Bradley's hospital/patient care line. Fabricated of stainless steel for continuous, trouble-free use.



## NEW MODEL 989

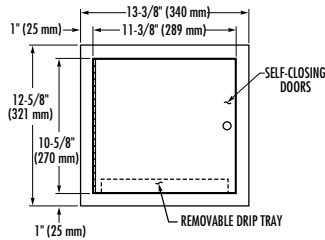
Recessed needle disposal fabricated of stainless steel with exposed surfaces in satin finish. Door secured by piano hinge. Removable needle disposal with tumbler lock.

Rough wall opening 12" W x 17.375" H x 5" D (305 x 441 x 127 mm)

Needle disposal not included

## NEW MODEL 989-11

Surface-Mounted



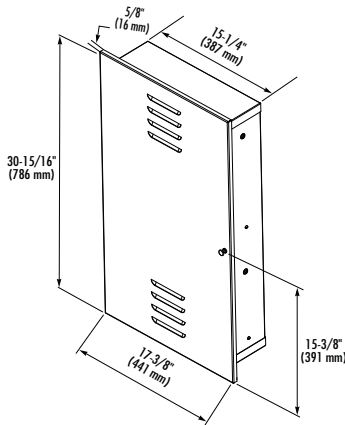
## MODEL 9813



Specimen pass-thru cabinet. Self-closing doors with stainless steel piano hinges and chrome-plated brass knobs. Interlock mechanism prevents both doors from being open at the same time. Equipped with seam-soldered spill tray.

Rough wall opening 11.625" W x 10.875" H (295 x 276 mm)

Flanges adjust from 3.5" (89 mm) to 5.5" (140 mm) wall thickness.



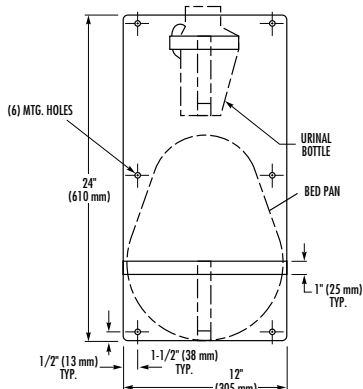
## MODEL 990

Recess-mounted bedpan storage cabinet. Door has full-length piano hinge, magnetic catch, rodstop, chrome-plated brass knob and ventilation louvers. Interior rods and removable drip pan. Leak-proof bottom prevents leakage behind unit and into wall structure.

Rough wall opening 15.625" W x 29.0625" H x 5" D (397 x 738 x 127 mm)

## MODEL 990-11

Surface-Mounted



## MODEL 9905

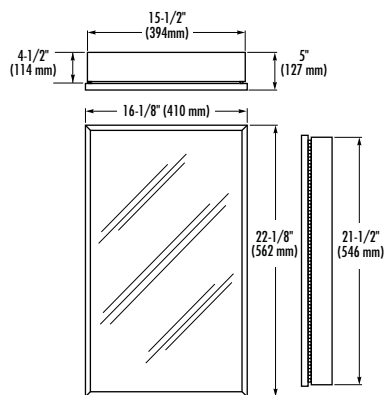
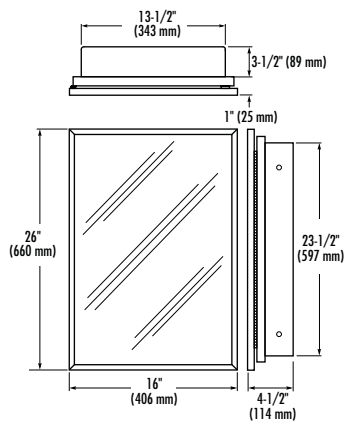
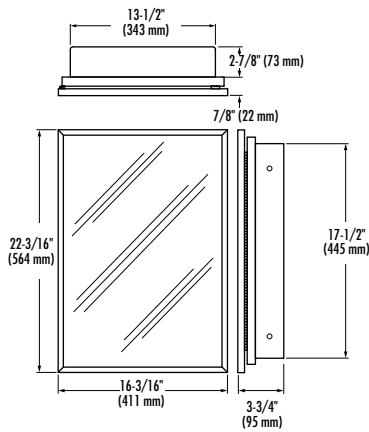
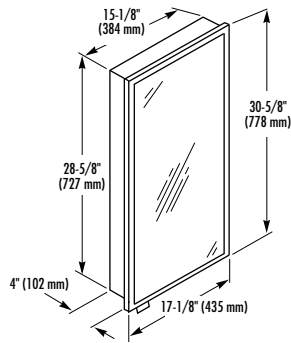
Surface-mounted bedpan and urinal storage unit. Fabricated of stainless steel with exposed surfaces in satin finish.

Unit measures 12" W x 24" H (305 x 610 mm)

Projects 5.25" (133 mm) from wall

**Note:** Bedpan and urinal not included





## MODEL 175



Recess-mounted, stainless steel medicine cabinet. 0.25" (6 mm) thick mirrored door 17.125" W x 30.625" H (435 x 778 mm) and spring-buffered rodstop. Cabinet may be field inverted for left hand door swing. Three adjustable stainless steel shelves.

Rough wall opening 15.625" W x 29.125" H x 4" D (397 x 740 x 102 mm)

-10 Semi-Recessed

-11 Surface-Mounted

## MODEL 9661



Recess-mounted medicine cabinet. Cabinet is fabricated of sturdy one-piece, white injection-molded polystyrene. Door is steel with baked-enamel finish. Door has full piano hinge and magnetic catch. Mirror frame of stainless steel. Two adjustable polystyrene shelves. Reversible to swing either left or right.

Rough wall opening 14" W x 18" H x 3" D (356 x 457 x 76 mm)

## MODEL 9663



Recess-mounted medicine cabinet. Seamless cabinet fabricated of one-piece, heavy drawn steel with baked-enamel finish. Mirror frame of stainless steel. Mirror of first-quality float glass, electro-copper-plated backed. Three adjustable prepainted metal shelves. Reversible for left or right hand swing.

Rough wall opening 14" W x 24" H x 3.625" D (356 x 610 x 92 mm)

## MODEL 9664



Surface-mounted medicine cabinet. Fabricated of heavy-gauge steel with baked-enamel finish. Mirror frame of stainless steel. Mirror of first-quality float glass, electro-copper-plated backed. Two removable metal shelves. Reversible for left or right hand swing.

Unit measures 16.25" W x 22.25" H x 5" D (413 x 565 x 127 mm)



## BRADMAR™

Fabricated from 30% pre-consumer or 100% post-consumer recycled high-density polyethylene (HDPE). No-Site™ style partitions with no gap between the doors and pilasters are available in Bradmar. Standard colors including speckled and solid colors with stainless steel shoes and aluminum wall brackets. Suited for humid and wet areas, and high-traffic or vandal-prone locations. Recommended for schools, parks, recreation centers. 15-year warranty.

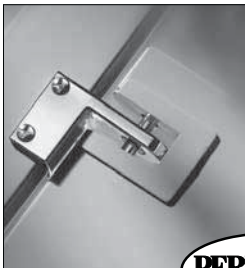
Hardware: Heavy-duty aluminum.



## PHENOLIC

Highly durable. Almost any Formica®, Arborite® or Trespa color/pattern can be selected. Edges are solid black. Recommended for humid and wet areas. Resists water, oil, and bacteria. Withstands hose-down cleaning. Suited for outdoor parks, pools, shower rooms. 3-year warranty against delamination and discoloration.

Hardware: Heavy-duty, cast stainless steel, stamped stainless steel door hinges.



## POWDER COATED

High-quality gloss finish. Low cost. Recommended for office buildings, restaurants, religious institutions and environments less prone to vandals. 15-year warranty against rust-out.

Hardware: Heavy-duty, chromed Zamac.



## FUSION GRANITE

Four colors of natural granite and three stainless steel finishes. Combines the natural beauty and durability of granite with the sleek style of stainless steel.



## STAINLESS STEEL

High design and contemporary style. Soft brushed satin finish, 5WL textured or leather-grain patterns available. Textured patterns wrap around edges. Recommended for airports, stadiums, rest stops. 15-year warranty against rust-out.

Hardware: Heavy-duty, chromed Zamac.



## SENTINEL™ OVERHEAD BRACED — SERIES 400

Overhead braced partitions provide the most economical solution for heavy-traffic and vandalism-prone areas. Because it requires no special floor or ceiling construction, installation is easy in new or old buildings. The anti-grip head rail provides outstanding rigidity.



## FLOOR BRACED — SERIES 500

This style complements design with functional performance. Recommended for buildings with high ceilings, it enhances the effect of spaciousness. A minimum of 3" (76 mm) concrete construction is required for anchoring. This style is not available in Bradmar solid plastic.



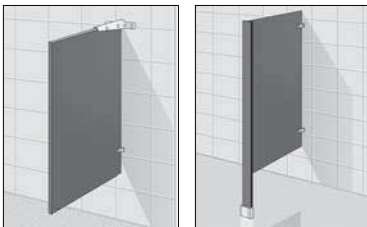
## CEILING HUNG — SERIES 600

Ideal for areas with low ceilings. Offering an area free from obstruction to allow for fast and easy maintenance, this system requires proper structural supports in the ceiling for maximum rigidity. Not recommended for ceiling heights over 8' (2.4M). This style is not available in Bradmar solid plastic.



## FLOOR-TO-CEILING — SERIES 700

Anchored at the floor and ceiling, main structural support can be provided by Series 500 or 600 mounting systems. Perfect for areas where additional support is required.



## URINAL SCREENS

Wall-hung style provides economy and ease of maintenance while floor supported or floor-to-ceiling (not shown) screens offer extra stability for high-traffic areas.



## SHOWER DIVIDERS

Available in Bradmar solid plastic, an advanced formula of high-density polyethylene (HDPE). Standard sized or customized to meet your facility layout, Bradmar shower dividers are available in multiple colors, including speckled and solid colors (see [bradleycorp.com](http://bradleycorp.com) for complete list of colors). All Bradmar solid plastic products are covered by a 15-year warranty.

**Design flexibility is a prime feature of Lenox® Lockers, offering countless options and configurations. Installation is simple. Lockers are shipped fully assembled and ready for attachment to the wall and each other.**

Solid plastic lockers are formed of polymer resin with homogeneous color. Doors and frames are 1/2" (13 mm) thick, and sides, shelves, tops and bottoms are 3/8" (10 mm) thick. Locker box is one piece, all welded construction, providing outstanding rigidity and strength. Continuous latch bar runs the entire length of the door, providing a secure closure. Handle mechanism is capable of accepting a padlock and is securely fastened to the door. NEW DCL Lock option has a digital combination, so no more lost keys. Stainless steel piano hinge is continuous and integrates into the full length of the door and main locker body. 20-year warranty against rust, delamination or breakage of any of the plastic components under normal use.



OPTIONS INCLUDE			
NEW DCL Locks	Combination Padlocks	Number Plates	Coat Rods
Built-in Key Locks	Solid Plastic Bases	Plastic Coat Hooks	Wall Hooks
Built-in Combination Locks	Slope Tops	Mesh Doors	Fillers
Coin-Operated Locks	Colored Flat Tops	Engraved Logos	Mirrors
Card Locks	End Panels		



**Z-LOCKER**  
Z-Locker design provides practical multi-tiered storage without wasting valuable floor space or compromising customer satisfaction. Double your locker availability while still providing clients with hanging space to keep garments wrinkle free.



**CUBBY LOCKER**  
The easy-access cubby locker is perfect for items that do not require locked storage. The durable cubby is shipped fully assembled and can reduce installation costs by up to 50 percent.  
**Note:** Three cubby lockers shown.



**LOCKER BENCH**  
The 1" (25 mm) thick bench top is smooth, seamless and oversized. The 20" (508 mm) locker underneath provides valuable additional storage space. Available in 3' (0.9 M) through 6' (1.8 M) lengths.



**CUBBY BENCH**  
Convenient seating and easy-access storage in one. Space-saving solution. Shipped fully assembled.



**PEDESTAL BENCH**  
The bench top is 1.5" (38 mm) thick and available in 36" (914 mm) to 96" (2438 mm) in one-foot increments. Pedestals are black anodized aluminum. ADA-compliant height is 18.5" (470 mm). 9.5" 12," 18" and 24" (241 mm, 305 mm, 457 mm and 610 mm) widths available.



**GEAR LOCKERS**  
Wider and deeper than standard lockers, Lenox Gear Lockers provide maximum storage and maximum durability with the best lead time and best warranty available!

## STAINLESS STEEL



Stainless Steel is a low-carbon steel that contains chromium. The addition of chromium gives the steel its unique corrosion-resisting properties. It is extremely durable, resists corrosion, and stands up to many chemicals.

Despite the fact that stainless steel surfaces are generally non-tarnishing, they are not stain or rust proof. Stainless steel must be kept clean and free from contaminants. Frequent cleaning with mild soap and water or glass cleaner and a cotton cloth is required. Any discoloration or corrosion (commonly caused by contact with harsh cleaner, muriatic acid or bleach solutions) should be removed as soon as possible or permanent discoloration and pitting of the surface could occur. Most discoloration can be removed with a mild cleanser or stainless steel cleaner and a Scotchbrite® pad. The surface should then be thoroughly rinsed with clear water. With proper maintenance, stainless steel will maintain its luster and appearance indefinitely.



## MIRRORS

Bradley mirrors are fabricated from heavy-gauge stainless steel frames and plate glass or an alternative reflective surface. The frame can be cared for by following the general stainless steel maintenance instructions above. Reflective surfaces can be cleaned with any standard non-abrasive glass cleaner and a soft cloth. Care must be taken to avoid allowing the cleaner to run down the surface of the mirror and collect in the frame. If allowed to continue, this could lead to premature silver spoilage and spotting on stainless steel.



## SOAP DISPENSERS

Bradley soap dispensers provide dependable, consistent operation over the long term when the proper soap is used and when a minimal amount of periodic maintenance is performed on the valves. Soaps satisfying these basic guidelines will provide consistent flow and reduce clogs.

Soap thickness is determined by a measurement called viscosity. Soap viscosity should be between 100 cps (centerpoise) and 2500 cps for all Bradley soap dispensers. The pH (acid) level of soaps that will perform consistently should be in the range of 6.5 to 8.5. More acidic soaps (pH levels lower than 6.5) will corrode metal parts (even stainless steel) and degrade rubber and plastic components. Most inexpensive soaps (typically the pink lotion type) fall into this acidic category and will eventually cause valve failure and metal corrosion. PCMX or Isopropanol-based antibacterial soaps (within viscosity and pH limits) will also work with Bradley dispensers.

Valves must also be maintained (cleaned) to function properly. At the very minimum, hot water should be pumped through valves periodically to clear out soap residue. Ideally valves should occasionally be soaked for 30 minutes in hot water or a soap valve cleaning solution. With proper maintenance and soap, Bradley dispensers will provide long-term, trouble-free operation.

# Index

MODEL NO.	PAGE
155	16
175	87
198	16
2A00	23
2A01	23
2A02	23
2A09	23
2A10-11	23
2A05	29
2A15-36	29
2A25-36	29
2A95-36	29
225	31
227	32
229	32
234	33
234-35	33
234-36	33
234-65	33
235	33
236	34
237	34
237-35	34
237-36	34
237-65	34
238	34
244	24
247	25
250-15	27
251-15	27
252	28
259	28
270	35
3A05	18
3A15-11	18
315-35	19
334	19
344	20
344-35	20
344-65	20
346	20
355	20
355-35	20
355-65	20
356	21
356-35	21
357	21
357-35	21
369-11	18

MODEL NO.	PAGE
377	22
377-36	22
377-3637	22
377-37	22
377-3738	22
377-38	22
4A00	57
4A10-11	57
4A11	57
4A20	59
401	59
407	59
5A00	46
5A10	46
5A20	46
5A40-11	46
505	47
508	48
508-32	48
515	52
522	47
523	48
582	56
583	56
584	56
591	53
592	54
594	55
6A00-11	36
6A01-11	36
643	37
644	37
646	37
648	38
650	38
655	38
657	39
658-30	39
661	39
662	39
740	43
747	44
747F	44
748	44
755	45
756	45
758	45
760	45
780	42

MODEL NO.	PAGE
781	42
782	43
790	45
812	4
817	4
832	4
837	4
852	4
857	4
900	77
901	78
901-60	78
907	74
908	74
911	81
912	82
914	82
915	82
917	80
921	78
921-60	78
924	74
926	75
927	76
931	81
932	81
934	83
940	78
947	83
953	66
953-4	66
954	61
957	64
958	64
962	60
962-11	60
963	60
964	60
987	79
987-11	79
987-36	79
987-78	79
989	86
989-11	86
990	86
990-11	86
991	85
1471	16
1981	17

MODEL NO.	PAGE
1985	17
2017	30
2027	30
2037	30
2251	31
2252	31
2271	32
2277	32
2291	33
2297	33
2441	24
2442	24
2447	24
2479	25
2482-11	25
2483	25
2484	26
2494	26
2495	26
2496	27
2497	27
2901-2873	15
2901-2874	15
2902-280000	15
2902-287300	15
2902-287400	15
2903-280000	15
2904-280000	15
2905-287300	15
2921-H000	14
2922-2873	14
2922-2874	14
2923-287400	14
2923-28S000	14
2923-28W000	14
3157	18
3251	19
3257	19
3565	21
4017	59
4721-15	58
4722-1015	58
4722-15	58
4731-15	58
4737	58
4781-11	57
4791-11	57
5053	47
5054	47

MODEL NO.	PAGE
5061	46.47
5071	48
5084	49
5085	49
5102	51
5103	51
5104	51
5105	51
5106	49
5107	49
5123	51
5124	51
5125	51
5126	49
5127	52
5224	47
5234	49
5235	49
5241	48
5262	49
5263	49
5402	50
5412	52
5422	52
5424	50
5425	50
5426-11	50
5831	56
5847	56
5911	53
5912	54
5921	54
5922	54
5932	55
5941	55
5942	55
5951	53
5952	53
6315	40
6315-KT0000	40
6322	40
6322-68	40
6324	40
6324-68	40
6326	41
6326-68	41
6334	41
6437	37

MODEL NO.	PAGE
6481	38
6501	38
6531	37
6542	37
6543	36
6562	38
6563	36
6583	39
6843	41
7405	43
7481	44
7510	45
7512	45
7805	42
7815	43
8170-158	10
8170-1581	10
8320-106360	11
8320-106420	11
8370-104	10
8370-105	10
9014	77
9015	77
9044	74
9045	74
9054	75
9055	75
9065	75
9066	75
9094	75
9095	75
9104	76
9104-90	76
9105	76
9105-90	76
9111	80
9114	80
9115	80
9118	81
9119	81
9124	80
9125	80
9134	82
9135	82
9164	83
9301	76
9311	81
9314	80

MODEL NO.	PAGE
9315	80
9334	83
9335	83
9352	77
9353	77
9362	77
9363	77
9401	78
9402	78
9403	78
9403-96	78
9495	83
9522	67
9530-60	66
9530-72	66
9531	66
9531-4	66
9533	65
9534	64
9535	64
9536	64
9537	64
9538	66
9538-4	67
9539	67
9539-4	67
9540	65
9541	61
9562	61
9569	61
9571	64
9591	62
9592	62
9593	63
9594	63
9631	60
9632	60
9661	87
9663	87
9664	87
9813	86
9905	86
9933	84
9934	84
9943	84
9944	84
9945	84
9946	84

MODEL NO.	PAGE
9953	84
9954	84
9955	84
9983	85
9984	85
9985	85
9986	85
P10-636	17
P10-696	22
P15-025	22
P15-098	22
P15-195	22
SA01	71
SA03	71
SA05	72
SA06	72
SA09	72
SA10	72
SA11	73
SA12	73
SA13	73
SA14	73
SA15	73
SA16	72
SA21	72
SA22	72
SA25	73
SA26	73
SA30	68
SA31	68
SA32	68
SA33	68
SA35	68
SA36	68
SA37	69
SA38	69
SA39	69
SA41	69
SA47	70
SA49	70
SA50	70
SA51	70
SA52	70
SA53	71
SA54	71
SA55	71
SA56	71
SA70	69



## Commercial Washroom Innovation

+1 262 251 6000  
800 BRADLEY [bradleycorp.com](http://bradleycorp.com)  
W142 N9101 Fountain Boulevard  
Menomonee Falls, WI USA 53051  
3767-7-0618

