



CAP-DCR Electronic Faucet

- Capacitive-Sensing Omnidirectional Detection Zone
- 0.5 GPM (1.9 L/Min) Outlet Flow Rate standard
- Battery Operation; Uses Four "C" Cell Batteries (included)
- CSA Certified
- ADA Compliant; Meets ASME A117.1 (requires less than 5 lbs. of operating force)
- Complies With ASME A112.18.1/CSA B125.1
- Verified compliant with .25% weighted average Pb content regulations

For optimum performance of this product, a system pressure between 20 and 80 PSI static is recommended. This product will operate up to a maximum of 125 PSI static per ANSI and CSA requirements. However, pressures above 80 PSI are not recommended. Thermal expansion or leaking pressure reducing valves may require use of expansion tanks or relief valves to ensure your system never exceeds its maximum intended pressure setting.

Operation

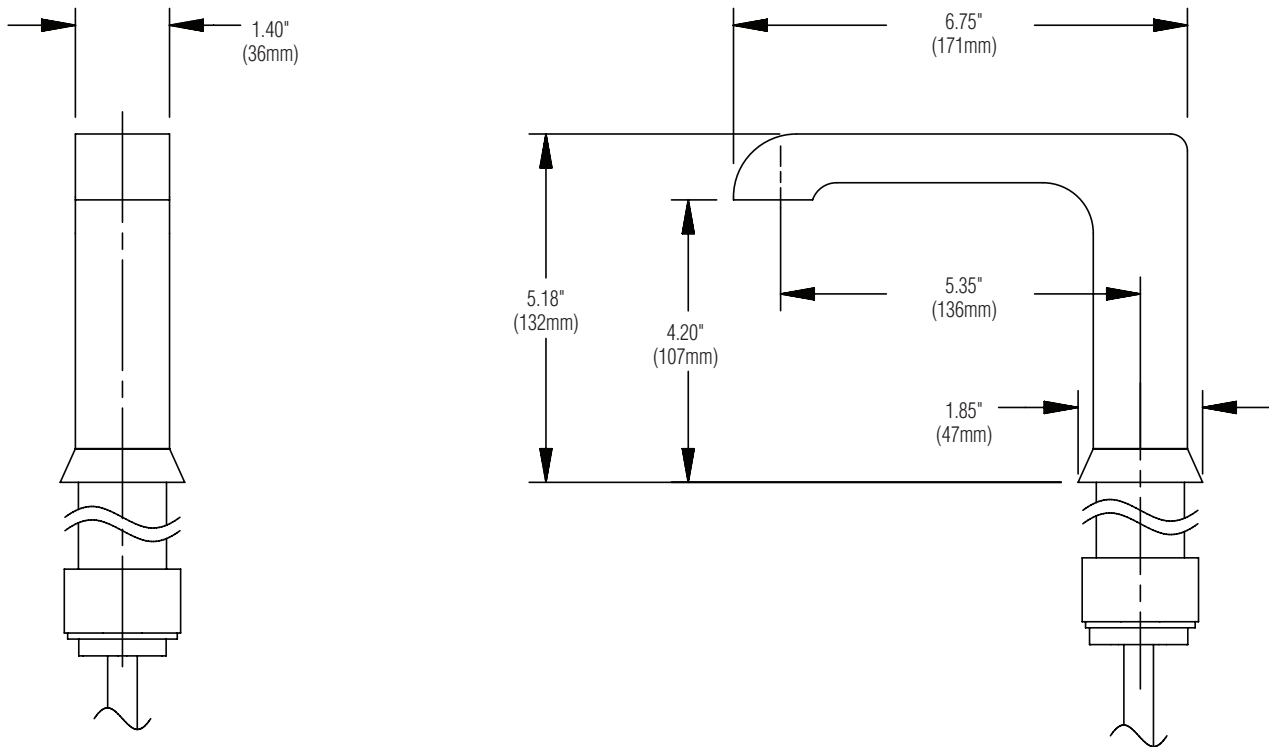
Faucet features hands free (touchless) operation. Water flows when sensor is activated and stops upon deactivation of the sensor.

Specifications

Deck-mounted electronic lavatory faucet with battery operation has cast chrome-plated brass spout, surface-mount control box and capacitive-sensing omnidirectional detection zone. Faucet features hands free (touchless) operation with integral spout sensor (no visible sensor). Auto shut-off feature is factory-set to 45 seconds. Will reset and recalibrate once obstruction is removed. Adjustable sensing distance factory set to 3" (76mm). Low battery audible beep will activate after faucet shuts off when approximately 1500 cycles remain. Requires thermostatic mixing valve (available from Bradley) and four "C" cell batteries (included).

Optional Plug-In Transformer (PT): AC option power for faucets with battery operation. Plug-in connection. Input voltage 100-240V @ 50-60 Hz. Output voltage (unloaded) 12 VDC ± 5%. Maximum output current is 2A. Operating temperature range 32° F to 114° F (0° C to 45° C). Screw terminals. UL listed Class 2 Efficiency Level IV FCC.

Adapter (included with Optional PT): Input voltage 12-24V (AC or DC) Max current 2A. Output voltage 6.4 VDC ± 5%. Maximum output current is 150MA and requires ground kit 06124AA. Operating temperature range X° F to X° F (-55° C to 85° C). Connections #22 AWG stripped wire (to plug-in transformer) and 9 VDC snap (to faucet battery pack). Wire length is 18".

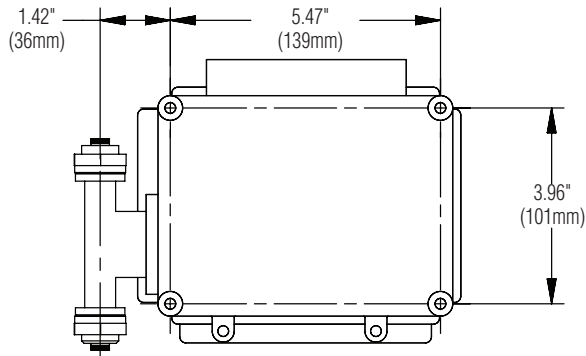


Verify all rough-in dimensions prior to installation. Consult local and national codes. Conformity and compliance to local and national codes is the responsibility of the installer.

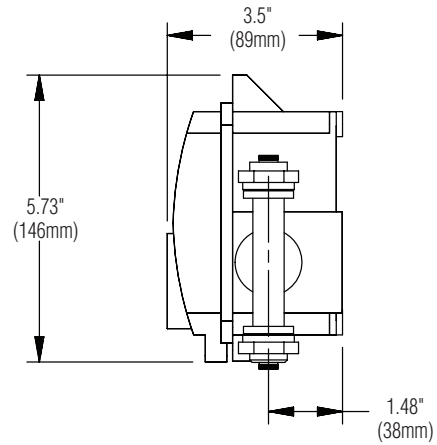


CAP-DCR Electronic Faucet

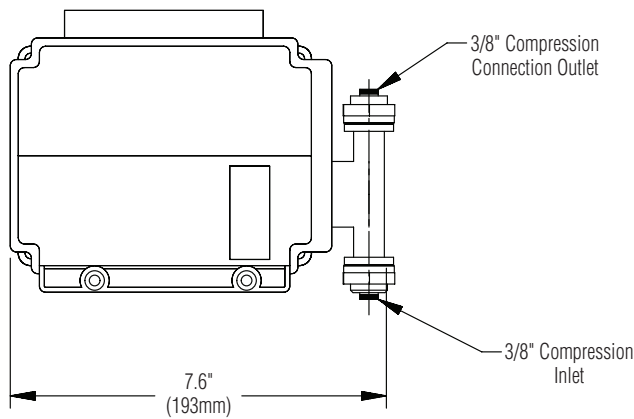
Surface-Mount Housing (external front view)



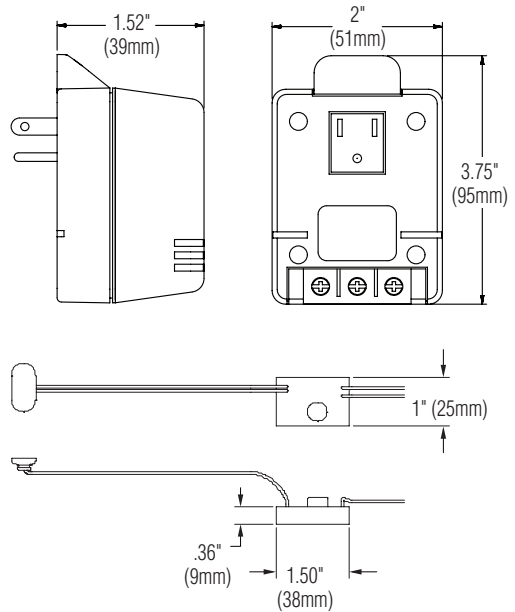
Surface-Mount Housing (external side view)



Surface-Mount Housing (front view)



Optional Plug-In Transformer (PT)



Adapter included with optional PT.

Verify all rough-in dimensions prior to installation.
Consult local and national codes. Conformity and compliance to
local and national codes is the responsibility of the installer.