



A WATTS Brand

9B1 Series Elvari™ Coat/Robe Hook

Key Features

- High quality and modern style complements other [Elvari™ products](#)
- Robust 14-gauge design
- 50 lb load rating
- No visible welds or mounting hardware
- Common mounting, interchangeable hardware between single and double hooks

Guide Specification

Surface-mounted hook shall be fabricated of 14-gauge, 300 series stainless steel in a brushed #3 satin finish or optional electrocoat finishes. Fasteners, set screws, and hex key included.

Overall Dimensions - Single Hook:

2-3/4" H x 1-3/16" W x 1-11/16" D (69mm x 30mm x 42mm)

Overall Dimensions - Double Hook:

5-3/8" H x 1-3/16" W x 1-3/4" D (136mm x 30mm x 44mm)

MasterFormat Title: Commercial Toilet Accessories

MasterFormat Number: 10 28 13.13

OmniClass Title: Toilet and Bath Specialties

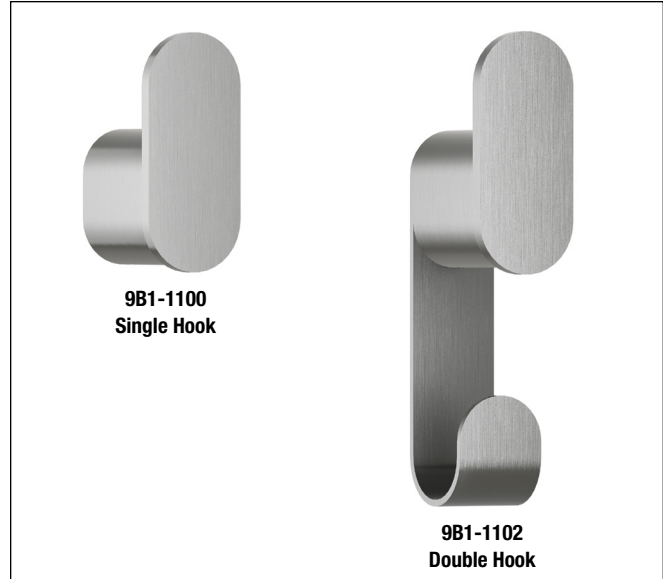
OmniClass Code: 23.31.25.00

Finishes

Click on any color swatch to view as a larger image.

	Brushed Black*
	Brushed Brass*
	Brushed Bronze*
	Brushed Nickel*
	Brushed Stainless*
	Satin Stainless

*Electrocoat Finishes, see Optional Electrocoat Finishes section.



Optional Electrocoat Finishes

Bradley offers an exclusive, proprietary electrocoat color process on the Elvari coat/robe hook models. Unlike powder coating, color is applied to the entire stainless steel part using a submersion process with electrically charged particles. This process results in a precise film thickness across all surfaces, allowing the grain of the stainless steel to show through.

Electrocoat provides complete coverage to the part and has environmental advantages such as no or low-VOC and HAPs (Hazardous Air Pollutants), heavy metal-free products, and minimum waste discharge. Bradley's electrocoat is durable and easy to clean as well as fingerprint, stain and corrosion resistant. A UV light stabilizer additive enhances resistance to weathering and color fade. Products are performance tested for adhesion following ASTM D3359-22 and impact resistance following ASTM D2794.

Product Compliance

Listed by UL Environment to

- GreenGuard Gold



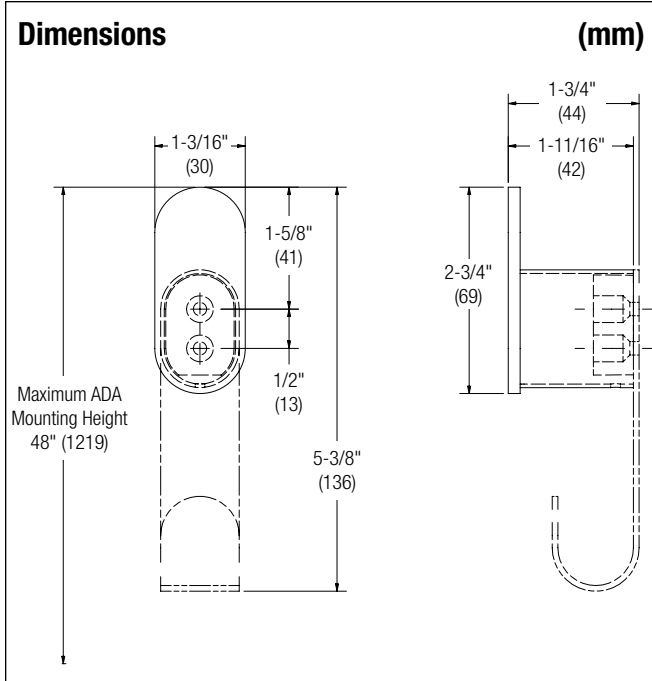
For information on Warranties, Maintenance and BAA/ARRA Compliance, visit our website at: bradleycorp.com/washroom-accessories-products

Orders composed of products indicated as **BradEX**® will be available to ship in three days after receipt of order at the factory. There is no pricing penalty for this service from Bradley.



A WATTS Brand

9B1 Series Elvari™ Coat/Robe Hook



Models (Must select one)	
9B1	Elvari Coat/Robe Hook
Standard Selections (Must select one from each category)	
Mounting (select one)	
11	Surface Mounted
Hooks (select one)	
00	Single Hook
02	Double Hook
Hook Finish Type (Must select one)	
BB	Brushed Black
BR	Brushed Brass
BZ	Brushed Bronze
BN	Brushed Nickel
BS	Brushed Stainless
SS	Satin Stainless ¹

¹ Models with Hook Finish Type SS are available with **BradEX**® expedited shipping.

Orders composed of products indicated as **BradEX**® will be available to ship in three days after receipt of order at the factory. There is no pricing penalty for this service from Bradley.