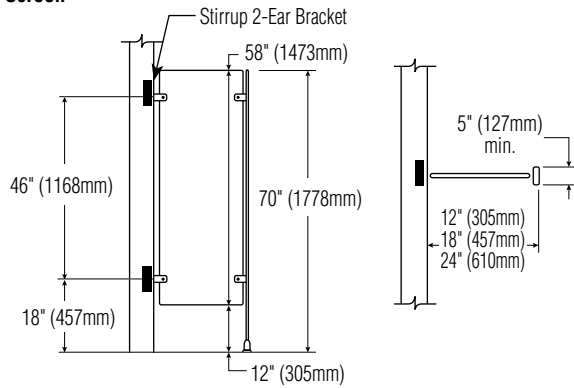




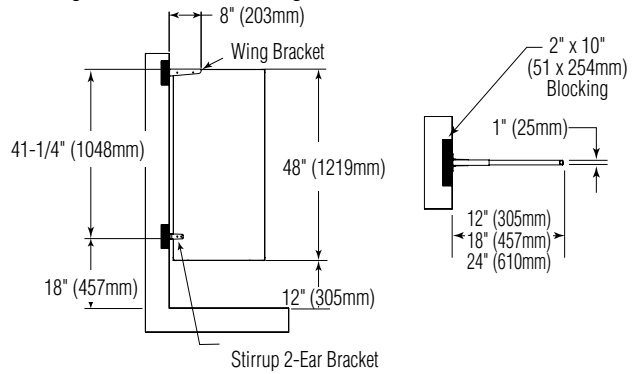
Sight & Urinal Screens Powder Coated & Stainless Steel

Sight Screen



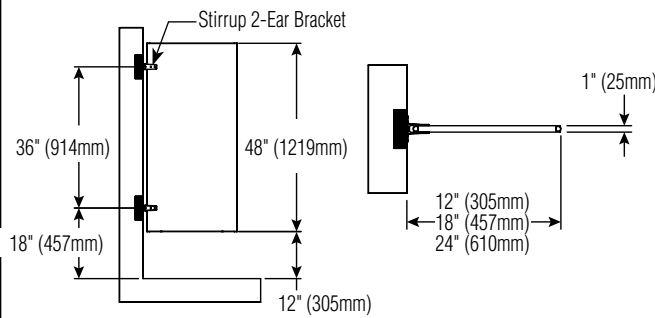
Generally recommended for Sight Screen application. Screen has floor mounting and requires minimum 3" concrete floor for anchoring.

Wall Hung Urinal Screen With Wing Bracket



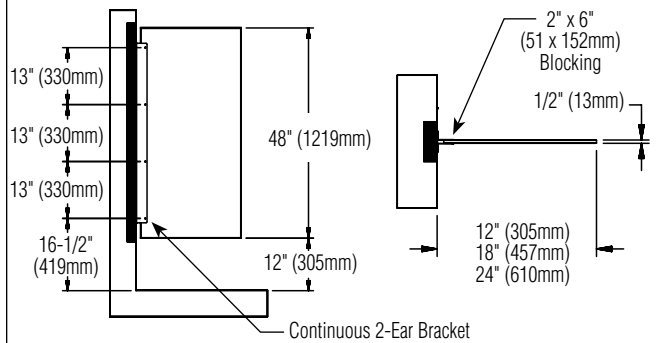
Generally used for Urinal Screen application where added durability is needed for high traffic areas. Screen is mounted to wall with Mills stainless steel wing bracket and 2-ear stirrup bracket..

Wall hung Urinal Screen with Stirrup Brackets



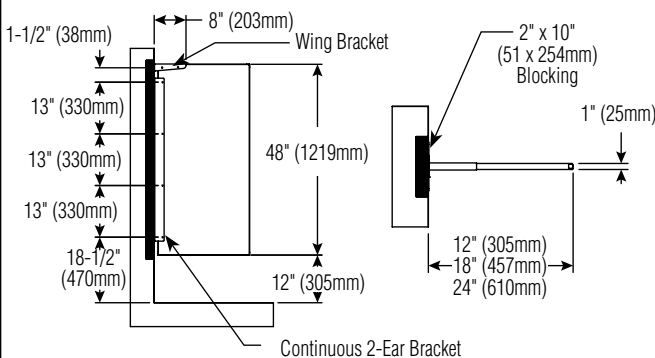
Generally recommended for Urinal Screen application.

Wall Hung Urinal Screen with Continuous Brackets



Generally used where specifications require the Urinal Screen to have a continuous bracket.

Wall Hung Urinal Screen with Continuous Brackets and Wing Bracket



Generally used where specifications require the Urinal Screen to have a continuous bracket in addition to the Mills wing bracket.

Verify all rough-in dimensions prior to installation.

Consult local and national codes. Conformity and compliance to local and national codes is the responsibility of the installer.