

- Model 170 — Recessed**
- Model 170-10 — Semi-Recessed (recesses 2"; projects 2")**
- Model 170-11 — Surface-Mounted (projects 4")**

Product Materials

FLANGE: 22 gauge stainless steel with exposed surfaces in architectural satin finish. One-piece seamless construction, 1" wide with 1/4" return.

CABINET: 26 gauge stainless steel.

DOOR: 22 gauge stainless steel with heavy-duty full-length piano hinge and tumbler lock.

MIRROR: first quality 1/4" float glass triple-silvered, electro-copper plated with baked enamel backing, guaranteed for 15 years against silver spoilage. Protected by shock-absorbing filler.

INTERIOR SHELVES: 22 gauge stainless steel. Three shelves — two adjustable, one fixed. Each shelf area is 60 sq. in.

EXTERIOR SHELF: 22 gauge stainless steel with an area of 60 sq. in.

LOCK: on door keyed like other Bradley units.

Operation

Mirrored door conceals interior shelves.

Installation

Verify all rough-in dimensions prior to installation. Recessed unit requires rough wall opening 15 5/8"W x 29 1/4"H x 4"D. Secure to framing with mounting screws (included) at holes provided. Shim at screw points as required.

Guide Specification

Recessed multi-purpose unit consisting of mirror and storage cabinet with three shelves shall be fabricated of stainless steel with exposed surfaces in satin finish. Mirrored door with full-length piano hinge and tumbler lock. Interior of storage cabinet to have three shelves — two adjustable and one fixed.

Overall dimensions: 17 1/8"W x 30 5/8"H x 4"D

Optional Features

Feature	Suffix
<input type="checkbox"/> #8 Stainless steel mirror in lieu of glass	-23
<input type="checkbox"/> Adjustable tilt mirror	-25

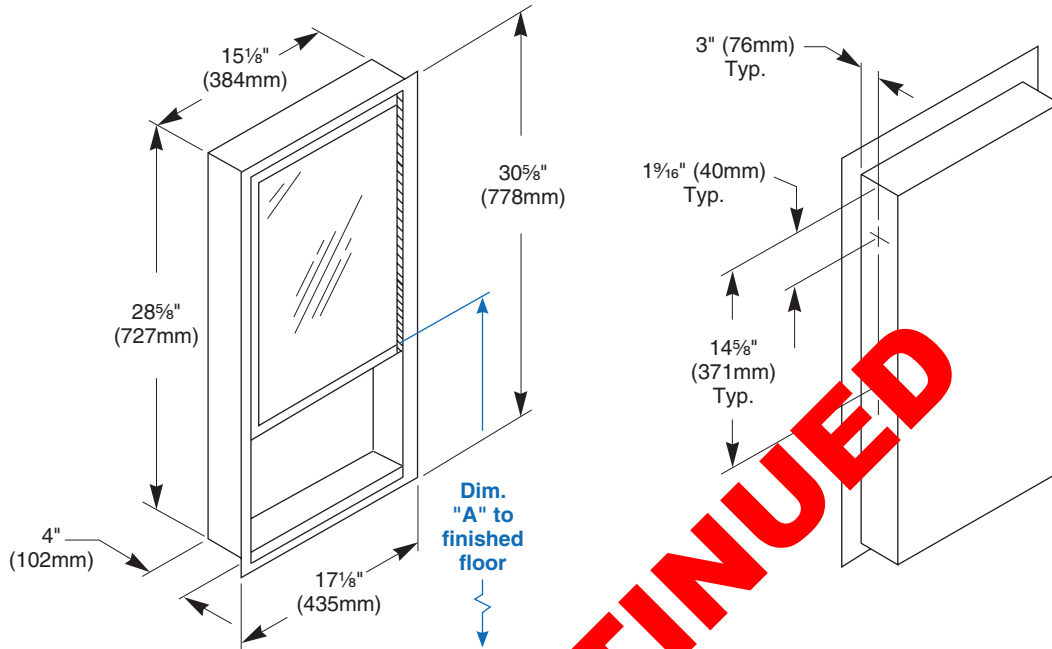


ADA Compliant

- Consult local and national accessibility codes for proper installation guidelines.
- Conformity and compliance to local and national codes is the responsibility of the installer.

**Washroom Accessories
Document No. 8020**

Dimensions



Dim. "A" Key Surface:	For Dim. "A"	Top of Rough Wall Opening	Bottom of Rough Wall Opening
Mirror's bottom edge of the reflecting surface to finished floor	48" (1219mm)	65 3/4" (1670mm)	36 5/8" (930mm)
	45" (1143mm)	62 3/4" (1594mm)	33 5/8" (854mm)
	42" (1067mm)	59 3/4" (1518mm)	30 5/8" (778mm)
	39" (991mm)	57 3/4" (1467mm)	28 5/8" (727mm)
Rough wall opening:			
Surface Mounted:	No rough opening, see overall dimensions		
Recessed:	15 5/8" (397mm) Wide x 29 1/8" (740mm) High x 4" (102mm) Deep		
Semi-Recessed:	15 5/8" (397mm) Wide x 29 1/8" (740mm) High x 2" (51mm) Deep		

Washroom Accessories
Document No. 8020