



- Model 2297 — Recessed *Bradex*[®]**
- Model 2297-10 — Semi-Recessed (recesses 1⁵/₈" ; projects 2¹/₂")**
- Model 2297-11 — Surface-Mounted (projects 4¹/₈")**

Contemporary Series — Satin Finish

Product Materials

CABINET: 22 gauge stainless steel with exposed surfaces in architectural satin finish. Welded construction with seamless corners and burr-free edges.

DOOR: 18 gauge stainless steel, 1/2" return for maximum rigidity. Concealed full length stainless steel piano hinge and tumbler lock keyed like other Bradley units.

TOWEL DISPENSER: 22 gauge stainless steel. Rolled edge on dispenser opening.

WASTE RECEPTACLE INSERT: leakproof molded plastic.

Capacity

Towel Dispenser — 475 multi-fold or 350 C-fold paper towels
Waste Receptacle — 1.7 gal. (0.22 cu. ft.)

Operation

Towel dispenser holds multi-fold or C-fold towels without use of special adaptor. Waste receptacle insert removable for easy servicing.

Installation

Verify all rough-in dimensions prior to installation. Recessed unit requires rough wall opening 12¹/₁₆"W x 26⁵/₈"H x 4"D (Semi-recessed unit only 1³/₄" deep). Secure to framing with mounting screws (included) at holes provided. Shim at screw points as required. Surface-mounted units must have holes drilled by installer.

Guide Specification

Recessed combination towel dispenser and waste receptacle shall be fabricated of heavy gauge stainless steel with exposed surfaces in satin finish. Cabinet door of 18 gauge stainless steel with full length concealed piano hinge and secured by tumbler lock. Towel dispenser capacity 475 multi-fold or 350 C-fold towels. Removable 1.7 gal. leakproof molded plastic insert for waste receptacle.



Overall dimensions: 14¹/₄"W x 28¹/₄"H x 4¹/₈"D.

ADA Compliant

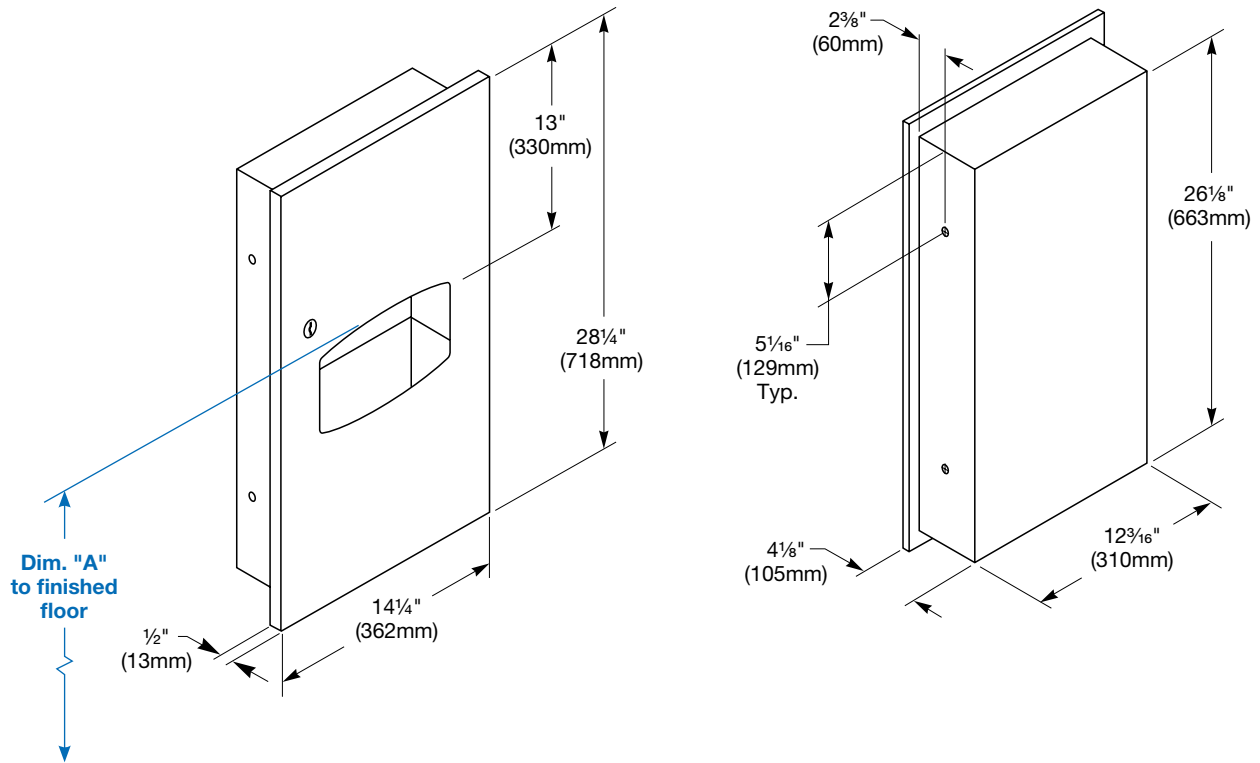
- Consult local and national accessibility codes for proper installation guidelines.
- Conformity and compliance to local and national codes is the responsibility of the installer.

Orders composed of products indicated as *Bradex*[®] will be available to ship in three days after receipt of order at the factory. There is no pricing penalty for this service from Bradley.



A WATTS Brand

Dimensions



Dim. "A" Key Surface:	For Dim. "A"	Top of Rough Wall Opening	Bottom of Rough Wall Opening
Paper towel top of opening to finished floor	48" (1219mm)	59" (1499mm)	32 3/8" (822mm)
	45" (1143mm)	56" (1422mm)	29 3/8" (746mm)
	42" (1067mm)	53" (1346mm)	26 3/8" (670mm)
	40" (1016mm)	51" (1295mm)	24 3/8" (619mm)
Rough wall opening:			
Surface Mount:	No rough opening, see overall dimensions		
Recessed:	12 2/3" (323mm) Wide x 26 5/8" (677mm) High x 4" (102mm) Deep		
Semi-recessed:	12 2/3" (323mm) Wide x 26 5/8" (677mm) High x 1 3/4" (45mm) Deep		

Orders composed of products indicated as **Bradex**® will be available to ship in three days after receipt of order at the factory. There is no pricing penalty for this service from Bradley.