

Model 355 — Surface-Mounted

20.6-Gallon Capacity

Product Materials

RECEPTACLE: 22 gauge stainless steel with exposed surfaces in architectural satin finish. All welded construction with rounded front corners.

LINER: (optional) Heavy-duty stitched vinyl-coated nylon.

HINGED COVER: (optional) 22 gauge stainless steel with exposed surfaces in architectural satin finish. Heavy-duty stainless steel piano hinge.

PUSH FLAP DOOR: (optional) 22 gauge stainless steel with exposed surfaces in architectural satin finish. Heavy-duty stainless steel piano hinge. Self-closing flap door is embossed PUSH.

Capacity

20.6 gal. (2.8 cu. ft.)

Operation

Optional vinyl liner is attached to receptacle with hook-and-loop fasteners, easily removed for servicing.

Installation

Verify all rough-in dimensions prior to installation. Secure to wall with mounting screws (not included) at holes provided. Mounting kits available through Bradley (ref. #899-027).

Optional Features

Feature
Vinyl Liner Part #P11-005

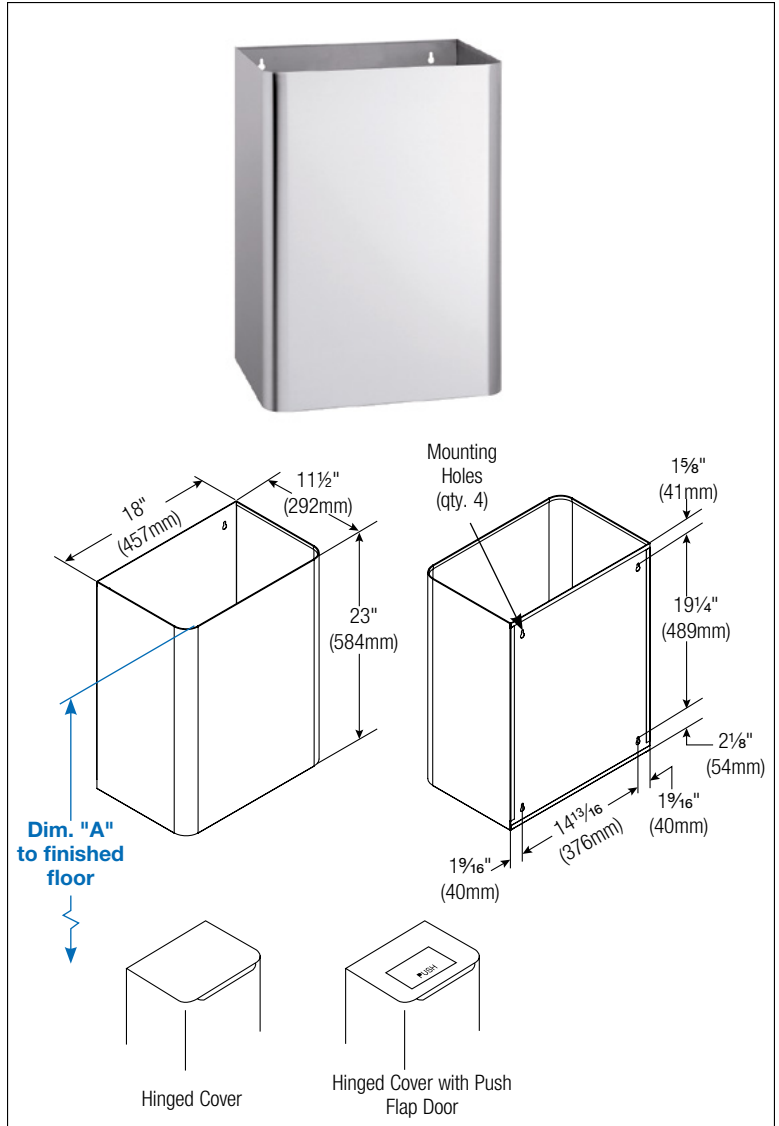
Guide Specification

Surface-mounted waste receptacle with hinged cover shall be fabricated of stainless steel with seamless exposed surfaces in satin finish. Model 355-65 has push flap door. Reuseable heavy-duty vinyl liner (optional). Capacity is 20.6 gal.

Overall dimensions: 18"W x 23"H x 11½"D.

 **ADA Compliant**

- Consult local and national accessibility codes for proper installation guidelines.
- Conformity and compliance to local and national codes is the responsibility of the installer.



Dim. "A" Key Surface:	For Dim. "A"	Top of Unit	Bottom of Unit
Waste receptacle top lip to finished floor	36" (914mm)	36" (914mm)	13" (330mm)
	32" (813mm)	32" (813mm)	9" (229mm)
	28" (711mm)	28" (711mm)	5" (127mm)
Rough wall opening:			
Surface Mount:		No rough wall opening, see overall dimensions	