



**Model 5831 — Surface-Mounted *Bradex*®**

- 250 Capacity

**Product Materials**

**UNIT:** 22 gauge stainless steel with exposed surfaces in architectural satin finish. Welded construction with burr-free edges.

**Capacity**

250 standard single-fold or half-fold toilet seat covers.

**Operation**

Insert seat covers through bottom of unit.

**Guide Specification**

Surface-mounted toilet seat cover dispenser shall be fabricated of 22 gauge stainless steel with exposed surfaces in satin finish. Capacity 250 toilet seat covers.

**Overall dimensions: 15<sup>3</sup>/<sub>4</sub>"W x 11"H x 2"D.**

**Product Compliance**

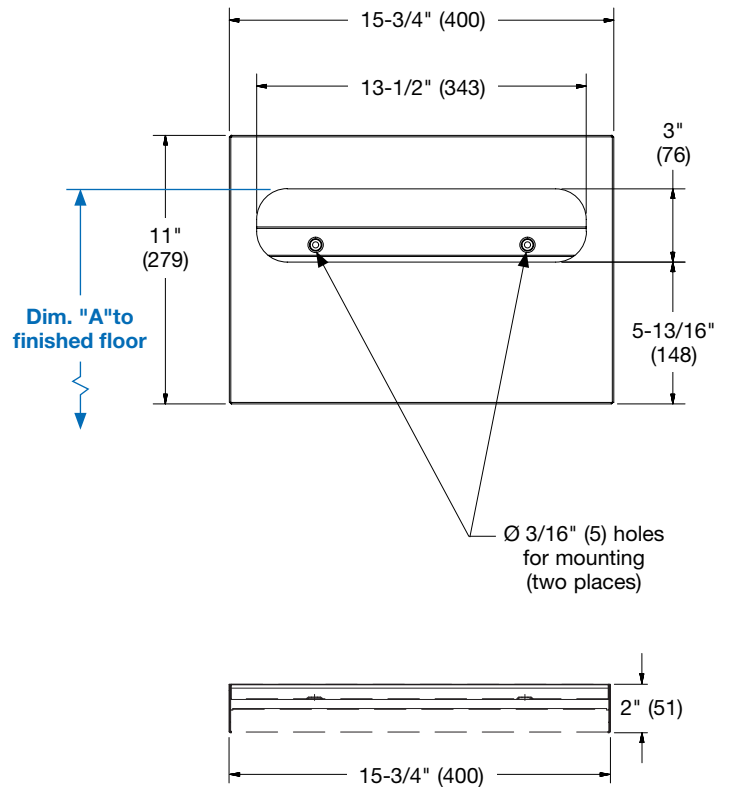
- ICC ANSI A117.1, Citation 609.3



- Consult local and national accessibility codes for proper installation guidelines.
- Conformity and compliance to local and national codes is the responsibility of the installer.



**Dimensions (mm)**



Orders composed of products indicated as **Bradex**® will be available to ship in three days after receipt of order at the factory. There is no pricing penalty for this service from Bradley.