



Model 5922-69 — Recessed

Product Materials

CABINET: 22 gauge stainless steel with exposed surfaces in architectural satin finish. Welded construction with burr-free edges.

FLANGE: 22 gauge stainless steel with exposed surfaces in architectural satin finish. One-piece seamless construction, 1" wide with ¼" return.

DOOR: 18 gauge stainless steel with full-length piano hinge and tumbler lock keyed like other Bradley units.

SPINDLES: polyethylene, non-removable by user.

Capacity

Toilet Seat Cover Dispensers — 1,000 standard single-fold or half-fold toilet seat covers; Toilet Tissue Dispensers — two standard core toilet tissue rolls through 5¼" in diameter.

Operation

Hinged access door permits servicing of components from one side.

Installation

Verify all rough-in dimensions prior to installation. Requires rough wall opening 15½"W x 28⅞"H x 4¼"D. Secure to framing with mounting screws (included) at holes provided. Recessed unit allows clearance for grab bar (not included) across front of unit.

Guide Specification

Recessed combination unit shall include toilet seat cover dispenser and toilet tissue dispenser, and be fabricated of stainless steel with seamless exposed surfaces in satin finish. Door and back panel shall be 18 gauge. Door shall have piano hinge and tumbler lock.

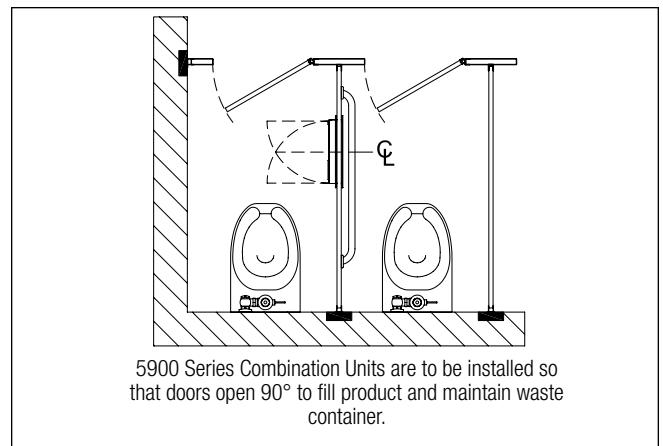
Overall dimensions: 17⅞"W x 30⅝"H x 4½"D.

Product Compliance

- ICC ANSI A117.1, Citation 609.3



- Consult local and national accessibility codes for proper installation guidelines.
- Conformity and compliance to local and national codes is the responsibility of the installer.
- ADA requires a 1½" grab bar clearance to the wall. When fully recessed, this unit protrudes ¼" from the finished wall. A standard grab bar, when mounted over the unit, will not meet the ADA requirement of 1½".

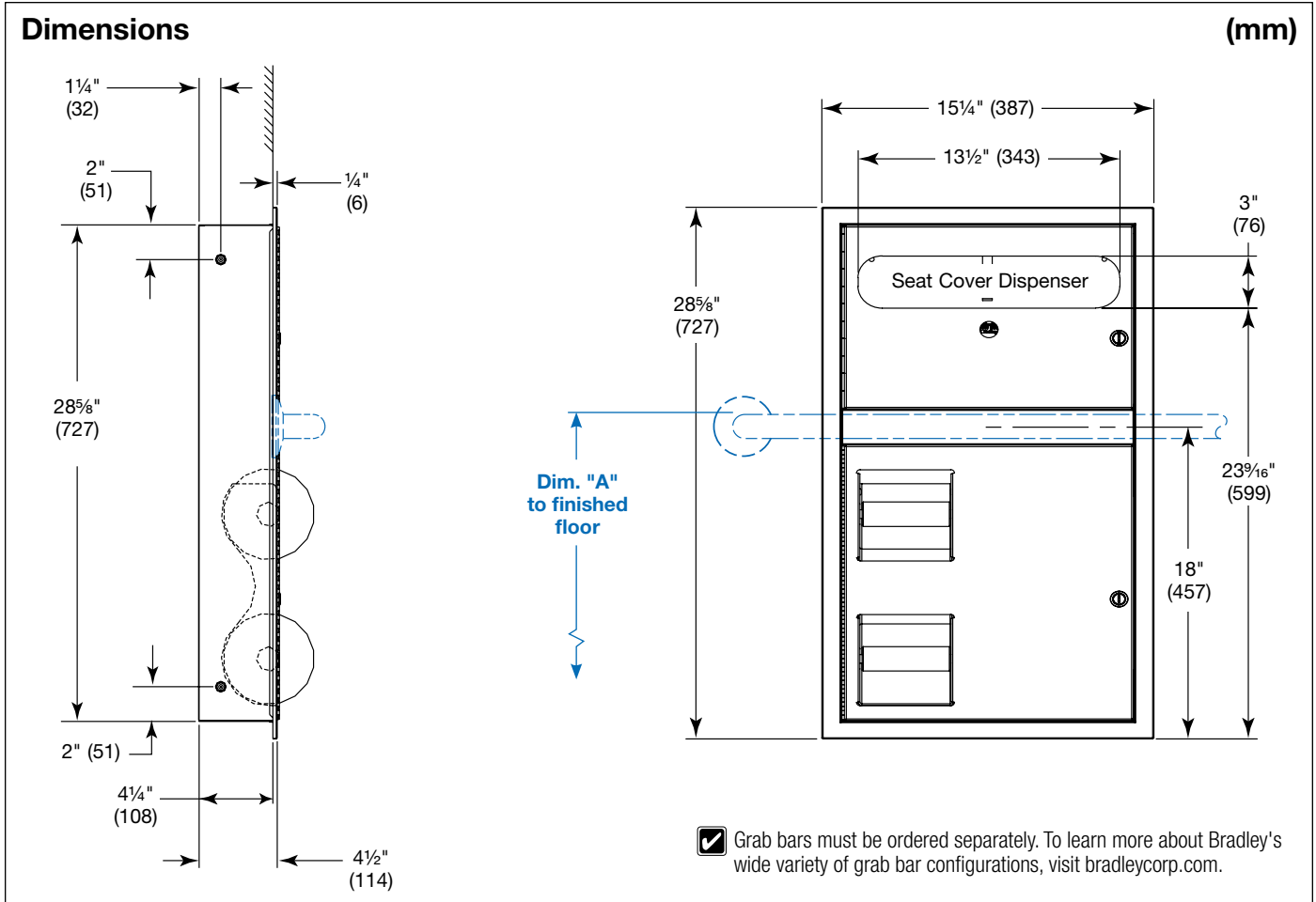




A WATTS Brand

5922-69

Combination Unit – Seat Cover Dispenser/Dual Roll Tissue Dispenser



Dim. "A" Key Surface:	For Dim. "A"	Top of Rough Wall Opening	Bottom of Rough Wall Opening	For Seat Cover Opening Top	For Bottom Toilet Paper Opening Lower Lip @ Dim. "A"
Top of 1 1/2" grab bar to finished floor	36" (914)	47" (1194)	18 1/8" (460)	45 5/8" (1153)	17 9/16" (440)
	34 1/2" (876)	45 1/2" (1156)	16 5/8" (422)	43 7/8" (1114)	15 13/16" (402)
	33" (838)	44" (1118)	15 1/8" (384)	42 3/8" (1076)	14 5/16" (364)
Rough wall opening:					
Surface-Mount:	No rough opening, overall dimensions 15 3/8" (391) Wide x 28 7/8" (734) High x 4 1/2" (114) Deep				
Recessed:	15 3/8" (391) Wide x 28 7/8" (734) High x 4 1/4" (108) Deep				
Semi-Recessed:	15 3/8" (391) Wide x 28 7/8" (734) High x 3 1/4" (83) Deep				