



Model 508-32 BradEX®

- Non-Controlled Delivery
- Single Roll (For Dual Roll see Model 523)

Product Materials

BRACKETS: Die cast virgin zinc (Zamac) alloy; copper and nickel-plated with highly polished chrome finish.

MOUNTING BRACKET: Heavy plated steel.

SPINDLE: Chrome-plated plastic.

Capacity

One standard core toilet tissue roll through 4½" in diameter.

Operation

Concealed spring permits spindle to telescope for servicing. Spindle turns freely for non-controlled delivery.

Installation

Verify all rough-in dimensions prior to installation. Secure concealed mounting brackets to wall with screws (included). Slip support arms over brackets and secure with concealed set screws.

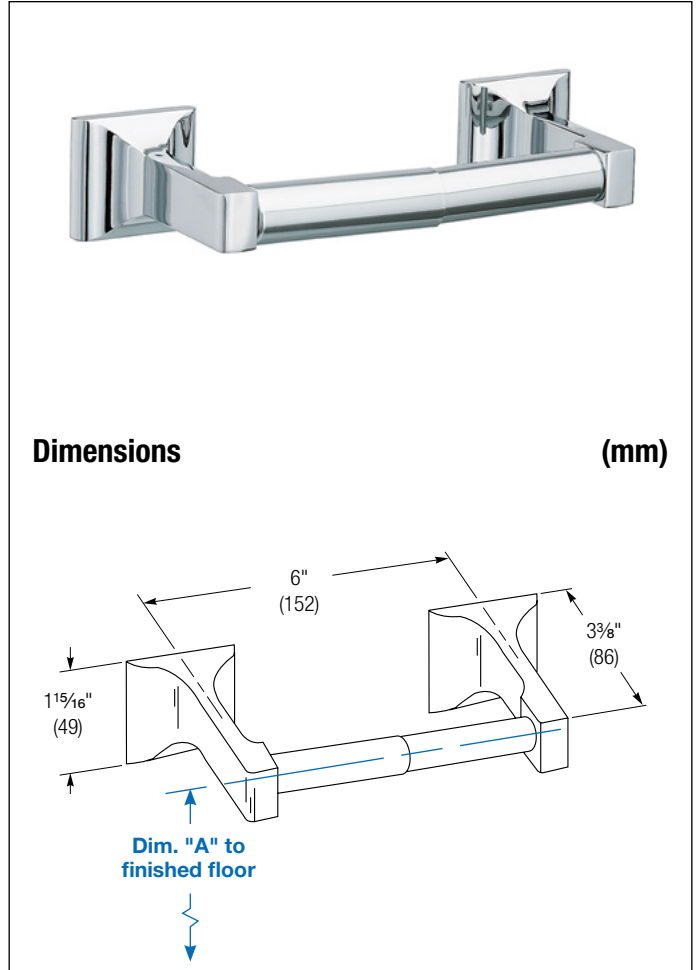
Guide Specification

Surface-mounted single roll toilet tissue dispenser shall be chrome-plated die cast Zamac with separate wall mounting bracket and hold one standard core toilet tissue roll.

Overall dimensions: 7-3/4"W x 11-5/16"H x 3-3/8"D

ADA Compliant

- Consult local and national accessibility codes for proper installation guidelines.
- Conformity and compliance to local and national codes is the responsibility of the installer.



Dim. "A" Key Surface:	For Dim. "A" (mm)	Top of Unit (mm)	Bottom of Unit (mm)
Centerline of spindle to finished floor (bottom edge of paper roll 3" below centerline of spindle)	23" (584)	23¾" (603)	21¹³⁄₁₆" (554)
	22" (559)	22¾" (578)	20¹³⁄₁₆" (529)
	21" (533)	21¾" (552)	19¹³⁄₁₆" (503)
	20" (508)	20¾" (527)	18¹³⁄₁₆" (478)
	19" (483)	19¾" (502)	17¹³⁄₁₆" (452)
	18" (457)	18¾" (476)	16¹³⁄₁₆" (427)
Rough wall opening:			
Surface Mount:	No rough opening, see overall dimensions		

Orders composed of products indicated as **BradEX®** will be available to ship in three days after receipt of order at the factory. There is no pricing penalty for this service from Bradley.