



### Model 5123 – Toilet Tissue Dispenser

- Recessed
- Hinged Hood
- Non-Controlled Delivery
- Dual Roll (For Single Roll see Model 5103)

### Product Materials

**HOUSING AND HOOD:** Bright polished stainless steel.

**SPINDLE:** Chrome-plated plastic.

### Capacity

One standard core toilet tissue roll through 5½" in diameter.

### Operation

Concealed spring permits spindle to telescope for servicing. Spindle turns freely for non-controlled delivery. Hinged hood prevents unintentional unraveling while keeping top tissue surface clean. Hinged hood is not removable.

### Installation

Verify all rough-in dimensions prior to installation. Requires rough wall opening 11¾"W x 5¼"H x 2"D. Secure to framing with appropriate anchoring devices at holes provided.

### Guide Specification

Recessed dual roll toilet tissue dispenser with hinged hood shall be bright polished stainless steel and hold one standard core toilet tissue roll.

**Overall dimensions: 12-3/4"W x 6-3/8"H x 2"D.**

### ADA Compliant

- Consult local and national accessibility codes for proper installation guidelines.
- Conformity and compliance to local and national codes is the responsibility of the installer.



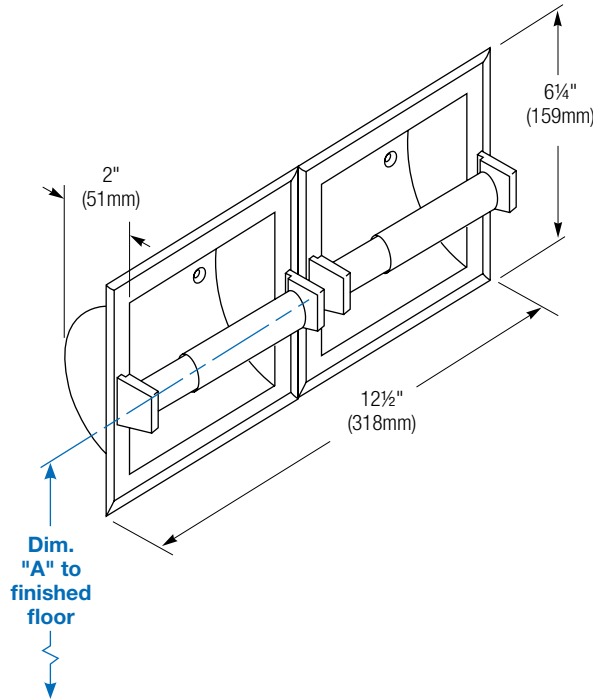


A WATTS Brand

5123

Toilet Tissue Dispenser

**Dimensions**



For clarity, unit is shown without hinged hood.

<b>Dim. "A" Key Surface:</b>	<b>For Dim. "A"</b>	<b>Top of Rough Wall Opening</b>	<b>Bottom of Rough Wall Opening</b>
Centerline of spindle to finished floor (bottom edge of paper roll 3" below centerline of spindle)	23" (584mm)	25½" (648mm)	20¼" (514mm)
	22" (559mm)	24½" (622mm)	19¼" (489mm)
	21" (533mm)	23½" (597mm)	18¼" (464mm)
	20" (508mm)	22½" (572mm)	17¼" (438mm)
	19" (483mm)	21½" (546mm)	16¼" (413mm)
	18" (457mm)	20½" (521mm)	15¼" (387mm)
<b>Rough wall opening:</b>			
Recessed:	11¾" (299mm) Wide x 5¼" (134mm) High x 2" (51mm) Deep		