



A WATTS Brand

# 5124, 5125

## Dual Roll Toilet Tissue Dispenser

### Model 5124 — Satin Stainless Steel **BradEX**®

### Model 5125 — Bright Polish

- Recessed
- Non-Controlled Delivery
- Stainless Steel Housing

#### Product Materials

**HOUSING:** Stainless steel with exposed surfaces in satin finish (Model 5124) or bright polish finish (Model 5125).

**PROJECTING PARTS:** Chrome-plated die cast zinc alloy.

**SPINDLE:** Chrome-plated plastic.

#### Capacity

One standard core toilet tissue roll through 5" in diameter.

#### Operation

Concealed spring permits spindle to telescope for servicing. Spindle turns freely for non-controlled delivery.

#### Installation

Verify all rough-in dimensions prior to installation. Requires rough wall opening 11¾"W x 5¼"H x 2"D. Secure to framing with mounting screws (included) at holes provided.

#### Guide Specification

**Model 5124:** Recessed dual roll toilet tissue dispenser shall be stainless steel with satin finish.

**Model 5125:** Recessed dual roll toilet tissue dispenser shall be stainless steel with bright polish finish.

**Overall dimensions: 12½"W x 6¼"H x 3"D.**

#### ADA Compliant

- Consult local and national accessibility codes for proper installation guidelines.
- Conformity and compliance to local and national codes is the responsibility of the installer.



Orders composed of products indicated as **BradEX**® will be available to ship in three days after receipt of order at the factory. There is no pricing penalty for this service from Bradley.

Page 1 of 2 1/31/2024

This information is subject to change without notice.

Bradley\_TPDispenser\_5124\_5125

[View Latest Version](#)

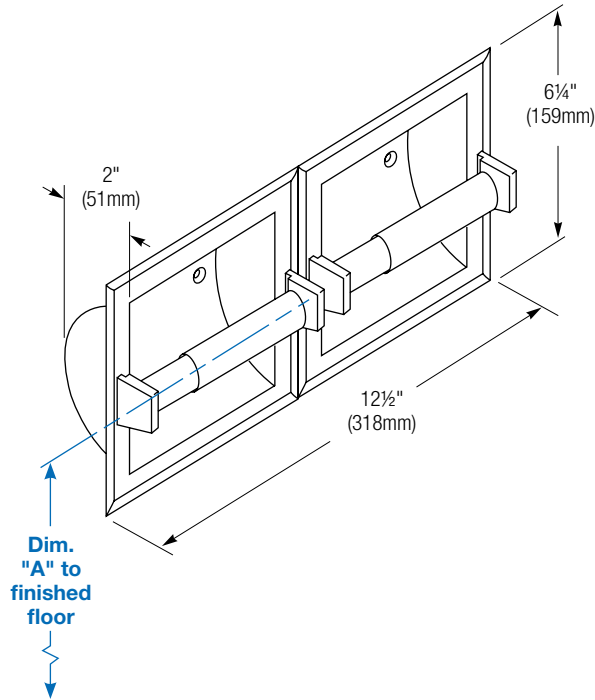
© 2024 Bradley  
P.O. Box 309, Menomonee Falls, WI 53052-0309  
800 BRADLEY (800 272 3539) +1 262 251 6000  
bradleycorp.com



A WATTS Brand

# 5124, 5125 Dual Roll Toilet Tissue Dispenser

## Dimensions



Dim. "A" Key Surface:	For Dim. "A"	Top of Rough Wall Opening	Bottom of Rough Wall Opening
Centerline of spindle to finished floor (bottom edge of paper roll 3" below centerline of spindle)	23" (584mm)	25½" (648mm)	20¼" (514mm)
	22" (559mm)	24½" (622mm)	19¼" (489mm)
	21" (533mm)	23½" (597mm)	18¼" (464mm)
	20" (508mm)	22½" (572mm)	17¼" (438mm)
	19" (483mm)	21½" (546mm)	16¼" (413mm)
	18" (457mm)	20½" (521mm)	15¼" (387mm)
<b>Rough wall opening:</b>			
Recessed:	11¾" (299mm) Wide x 5¼" (134mm) High x 2" (51mm) Deep		

Orders composed of products indicated as **BradEX**® will be available to ship in three days after receipt of order at the factory. There is no pricing penalty for this service from Bradley.

Page 2 of 2  
This information is subject to change without notice.  
Bradley\_TPDispenser\_5124\_5125

1/31/2024

[View Latest Version](#)

© 2024 Bradley  
P.O. Box 309, Menomonee Falls, WI 53052-0309  
800 BRADLEY (800 272 3539) +1 262 251 6000  
bradleycorp.com