



Model 523

- Non-Controlled Delivery
- Double Roll (For Single Roll see Model 508-32)

Product Materials

BRACKETS: die cast virgin zinc (Zamac) alloy; copper and nickel-plated with highly polished chrome finish.
MOUNTING BRACKET: heavy plated steel.
SPINDLES: chrome-plated plastic.

Capacity

Two standard core toilet tissue rolls through 4½" in diameter.

Operation

Concealed spring permits spindle to telescope for servicing. Spindle turns freely for non-controlled delivery.

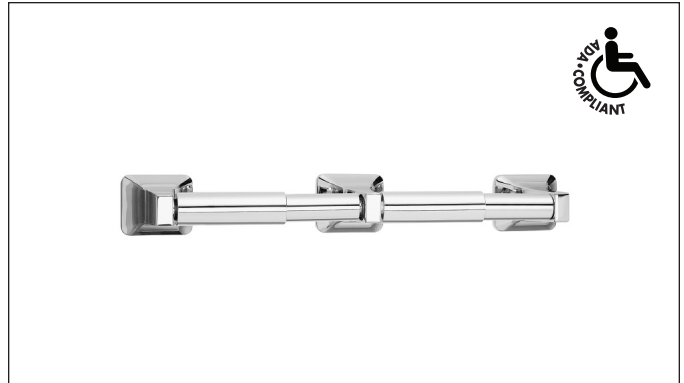
Installation

Verify all rough-in dimensions prior to installation. Secure concealed mounting brackets to wall with screws (included). Slip support arms over brackets and secure with concealed set screws.

Guide Specification

Surface-mounted dual roll toilet tissue dispenser shall be copper and nickel-plated die cast Zamac with highly polished chrome finish. Dispenser shall have separate wall mounting bracket and hold two standard core toilet tissue rolls.

Overall dimensions: 14"W x 1 13/16"H x 3 1/8"D.



Optional Features

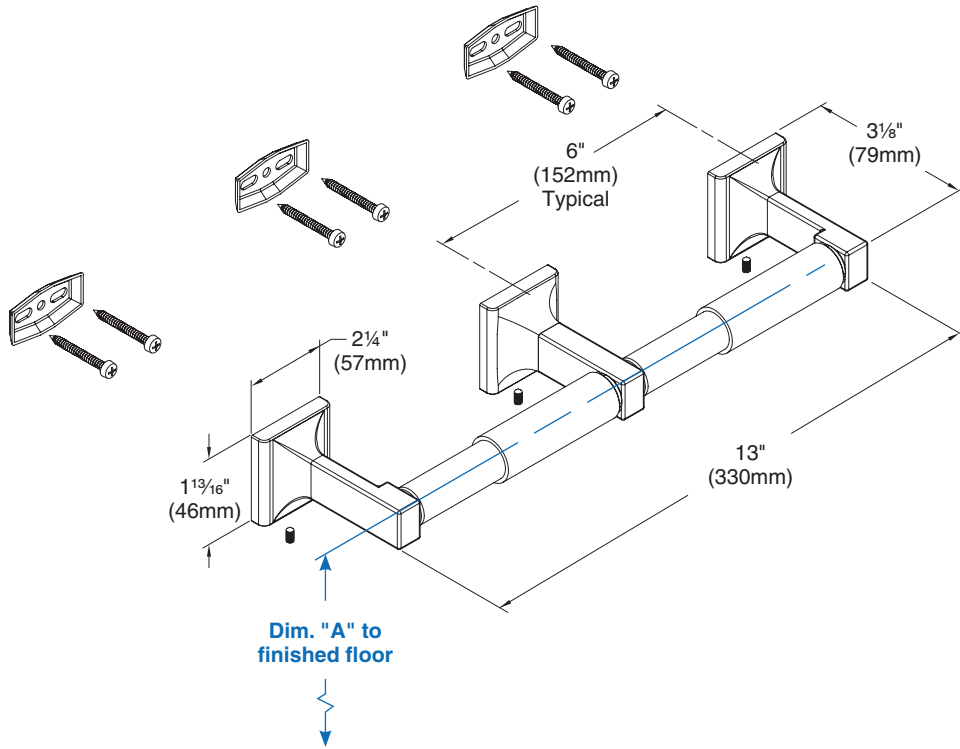
Feature	Suffix
<input type="checkbox"/> Anti-Theft Spindle	-52

 **ADA Compliant**

- Consult local and national accessibility codes for proper installation guidelines.
- Conformity and compliance to local and national codes is the responsibility of the installer.



Dimensions



Dim. "A" Key Surface:	For Dim. "A"	Top of Unit	Bottom of Unit
Centerline of spindle to finished floor (bottom edge of paper roll 3" below centerline of spindle)	23" (584mm)	23 3/4" (603mm)	21 7/8" (556mm)
	22" (559mm)	22 3/4" (578mm)	20 7/8" (530mm)
	21" (533mm)	21 3/4" (552mm)	19 7/8" (505mm)
	20" (508mm)	20 3/4" (527mm)	18 7/8" (479mm)
	19" (483mm)	19 3/4" (502mm)	17 7/8" (454mm)
	18" (457mm)	18 3/4" (476mm)	16 7/8" (429mm)
Rough wall opening:			
Surface Mount:	No rough opening, see overall dimensions		