



Model 523

- Non-Controlled Delivery
- Double Roll (For Single Roll see Model 508-32)

Product Materials

BRACKETS: Die cast virgin zinc (Zamac) alloy; copper and nickel-plated with highly polished chrome finish.

MOUNTING BRACKET: Heavy plated steel.

SPINDLES: Chrome-plated plastic.

Capacity

Two standard core toilet tissue rolls through 4½" in diameter.

Operation

Concealed spring permits spindle to telescope for servicing. Spindle turns freely for non-controlled delivery.

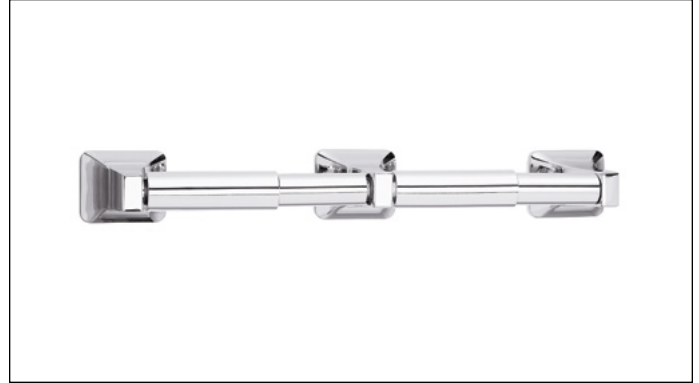
Installation

Verify all rough-in dimensions prior to installation. Secure concealed mounting brackets to wall with screws (included). Slip support arms over brackets and secure with concealed set screws.

Guide Specification

Surface-mounted dual roll toilet tissue dispenser shall be copper and nickel-plated die cast Zamac with highly polished chrome finish. Dispenser shall have separate wall mounting bracket and hold two standard core toilet tissue rolls.

Overall dimensions: 14"W x 11-3/16"H x 3-1/8"D.



ADA Compliant

- Consult local and national accessibility codes for proper installation guidelines.
- Conformity and compliance to local and national codes is the responsibility of the installer.



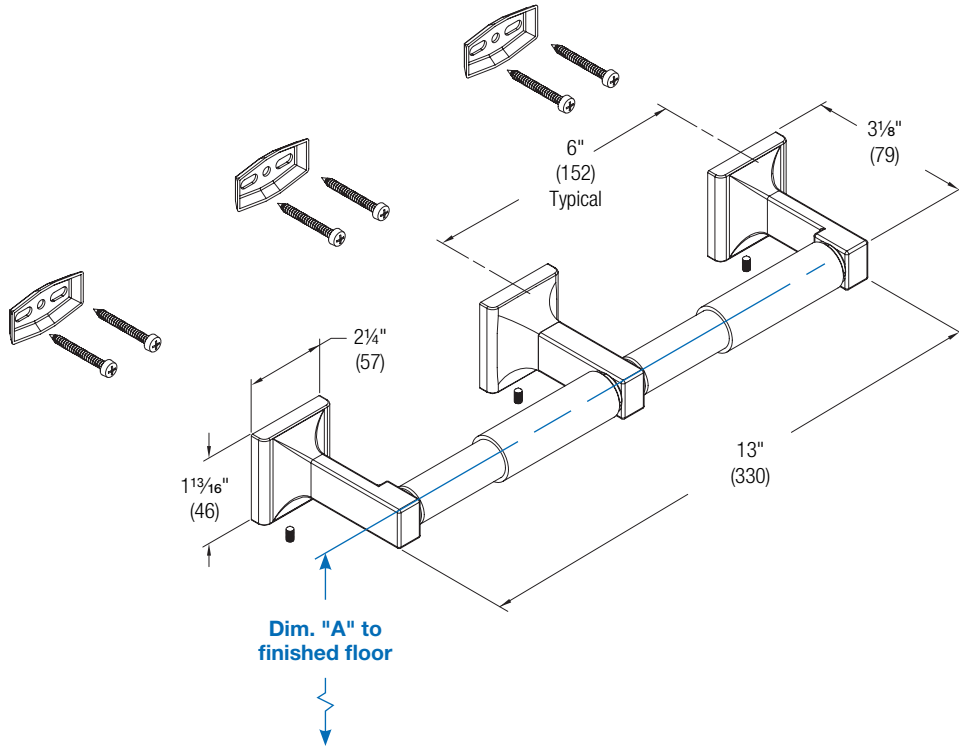
A WATTS Brand

523

Toilet Tissue Dispenser

Dimensions

(mm)



Dim. "A" Key Surface:	For Dim. "A"	Top of Unit	Bottom of Unit
Centerline of spindle to finished floor (bottom edge of paper roll 3" below centerline of spindle)	23" (584)	23 ³ / ₄ " (603)	21 ⁷ / ₈ " (556)
	22" (559)	22 ³ / ₄ " (578)	20 ⁷ / ₈ " (530)
	21" (533)	21 ³ / ₄ " (552)	19 ⁷ / ₈ " (505)
	20" (508)	20 ³ / ₄ " (527)	18 ⁷ / ₈ " (479)
	19" (483)	19 ³ / ₄ " (502)	17 ⁷ / ₈ " (454)
	18" (457)	18 ³ / ₄ " (476)	16 ⁷ / ₈ " (429)
Rough wall opening:			
Surface Mount:	No rough opening, see overall dimensions		