



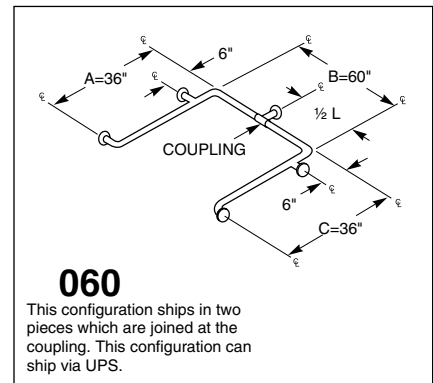
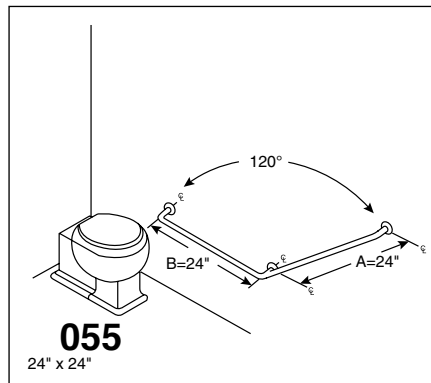
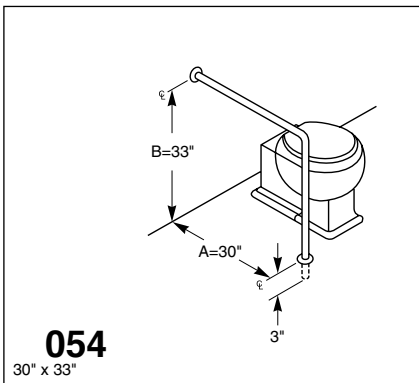
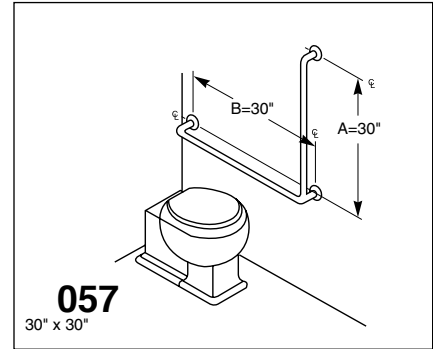
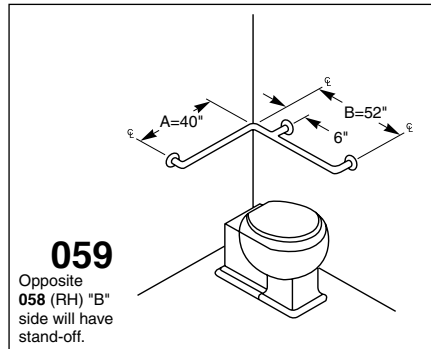
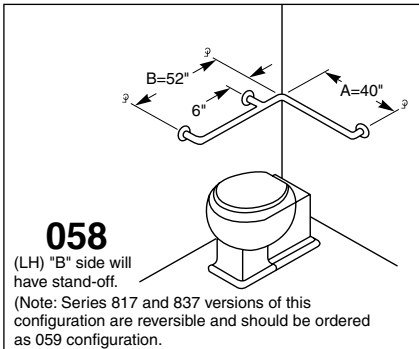
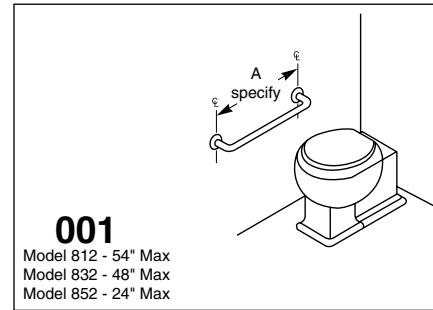


### Configuration Information - Bariatric Models

		OD	1-1/2"
		Rating (LBS)	1000
Configuration Number	Grab Bar Length	812 Series	
001-12	12"	X	
001-18	18"	X	
001-24	24"	X	
001-36	36"	X	
001-48	48"	X	
001-54	54"	X	
059/058	up to 42" x 54"	X	
057	30" x 30"	X	
054	33" x 30"	X	
055	24" x 24"	X	
060	36" x 60" x 36"	X	

**WARNING** Only models/configurations listed on this page have been rated for use up to 1000 pounds. Please see Grab Bar Configurations on [bradleycorp.com](http://bradleycorp.com) for all other available configurations.

**Bradex®** Item - Standard Finish  
 **Bradex®** Item - Standard Finish or Safety Grip Finish (-2)



Orders composed of products indicated as **Bradex®** will be available to ship in three days after receipt of order at the factory. There is no pricing penalty for this service from Bradley.