



A WATTS Brand

P10-696

Circular Waste Chute



Product Materials

WASTE CHUTE: heavy gauge stainless steel with exposed surfaces in polished finish. Drawn one-piece seamless construction.

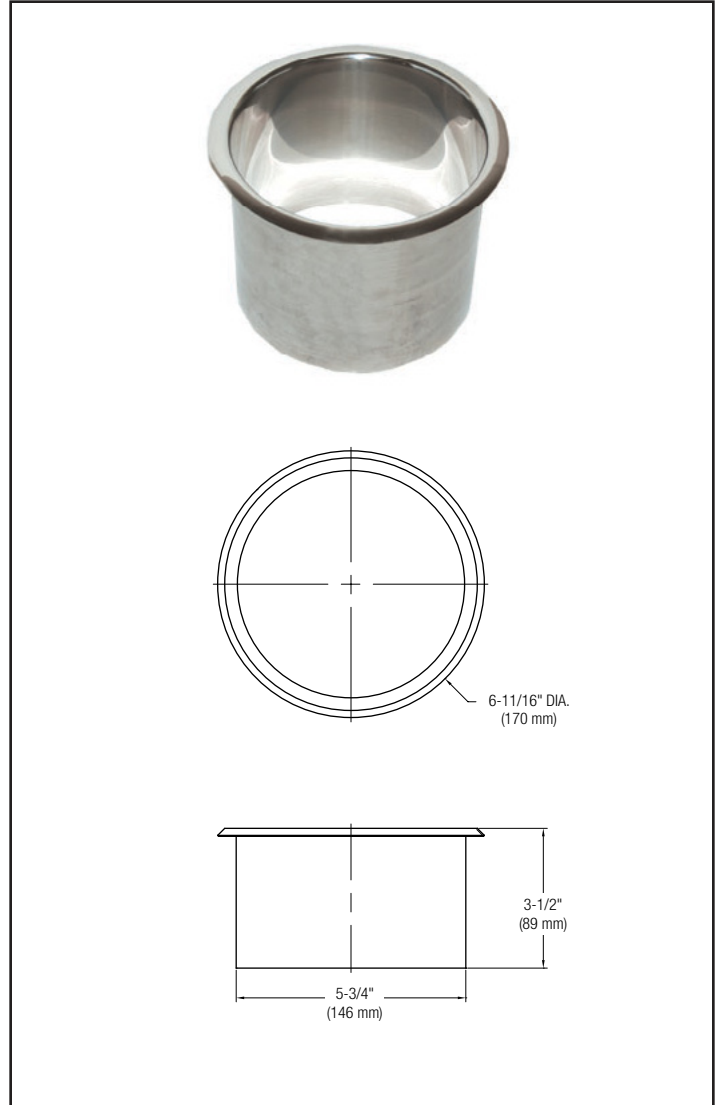
Installation

Verify all rough-in dimensions prior to installation. Countertop rough-in 6" diameter hole.

Guide Specification

Circular Waste Chute shall be fabricated of stainless steel of drawn seamless construction and bright polished finish.

Overall dimensions: 6 $\frac{3}{4}$ " diameter x 3 $\frac{1}{2}$ "D.



Orders composed of products indicated as **Bradex**® will be available to ship in three days after receipt of order at the factory. There is no pricing penalty for this service from Bradley.

Page 1 of 1
2/2/2024
This information is subject to change without notice.
Bradley_WasteChute_P10-696

© 2024 Bradley
P.O. Box 309, Menomonee Falls, WI 53052-0309
800 BRADLEY (800 272 3539) +1 262 251 6000
bradleycorp.com