



- ☑ Heavy-Duty Towel Bar
- ☑ 1" Diameter Stainless Steel
- ☑ 24" **Bradex**®

Product Materials

SUPPORT POSTS: heavy cast brass, chrome-plated and polished to a satin finish. Stainless steel set screw keeps bar from turning in posts.

TOWEL BAR: 18 gauge stainless steel, 1" diameter, seamless construction with satin finish.

Installation

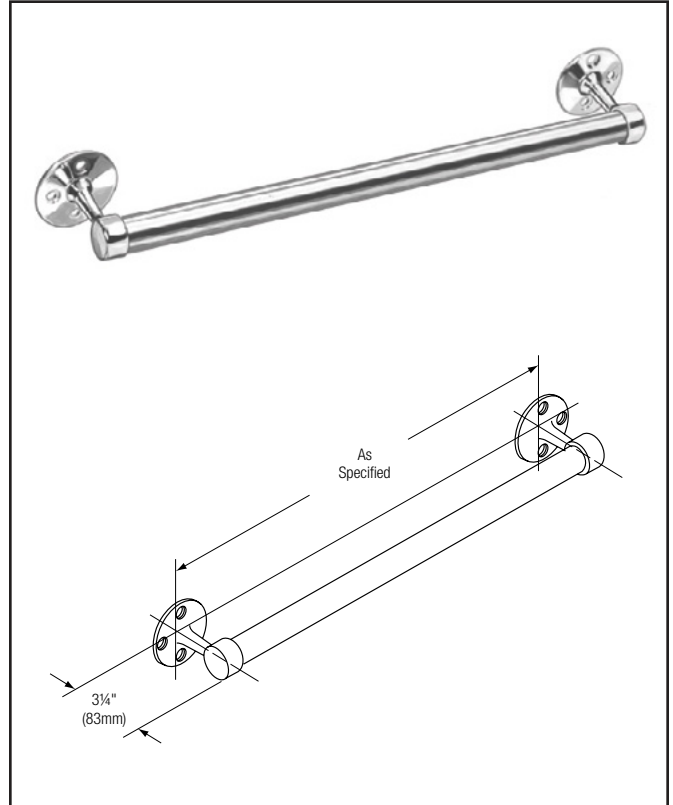
Verify all rough-in dimensions prior to installation. Secure one support post to finished wall surface with mounting screws (included) at holes provided. Insert bar in posts, secure remaining post to wall. Tighten set screw.

Standard Selections

SPECIFY LENGTH (must check one)	
18" (457mm)	24" (610mm) Bradex ®
30" (762mm)	32" (813mm)

Guide Specification

Surface-mounted towel bar shall have chrome-plated cast brass support posts with satin finish. Towel bar shall be 1" diameter, 18 gauge seamless construction with satin finish.



Orders composed of products indicated as **Bradex**® will be available to ship in three days after receipt of order at the factory. There is no pricing penalty for this service from Bradley.