



A WATTS Brand

9401, 9403

Soap Dish

- Recess Mounted
- Model 9401 – with Mortar Lugs
- Model 9403 – with Wall Clamp **Bradex**[®]

Product Materials

SOAP DISH: 20 gauge stainless steel with exposed surfaces in architectural satin finish. Drawn one-piece seamless construction.

DRIP LIP: 18 gauge stainless steel with exposed surfaces in architectural satin finish.

Installation

Verify all rough-in dimensions prior to installation. Requires rough wall opening 6¼"W x 4¼"H x 2¾"D. Model 9401 has mortar lugs for anchoring in cement. Model 9403 has recessed wall clamp.

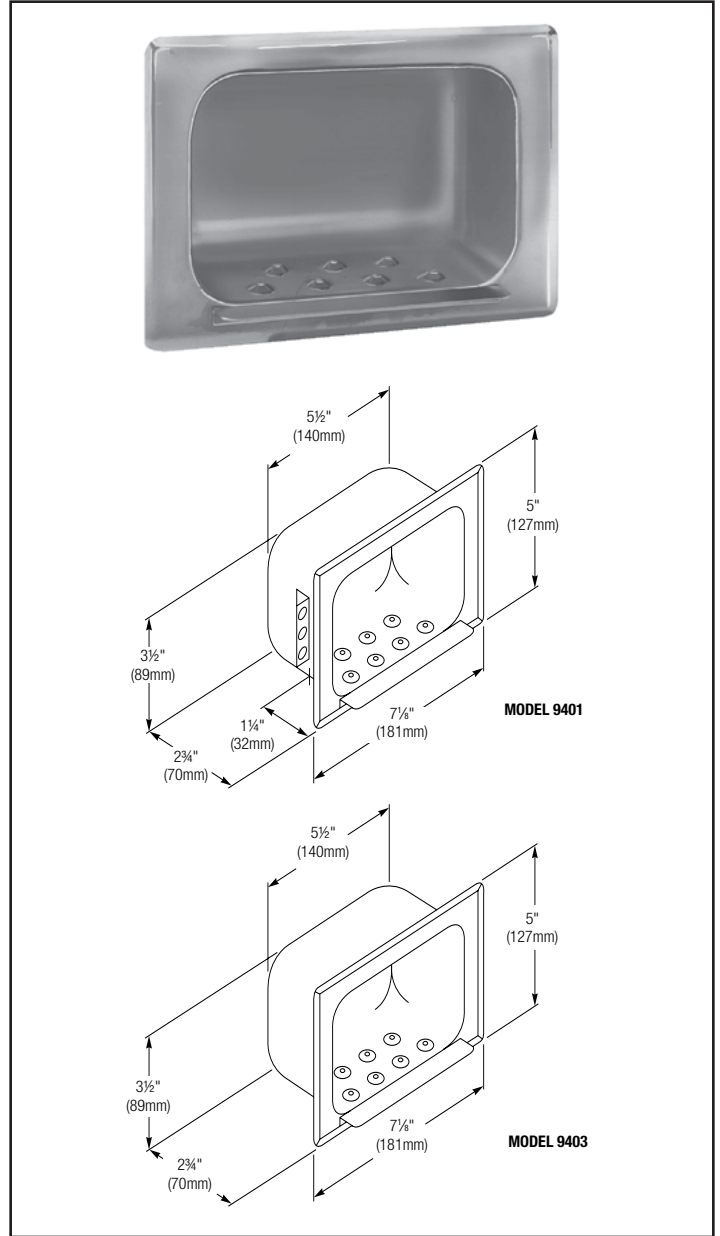
Optional Features

Feature	Suffix
Domestic (available on 9401 only)	-US

Guide Specification

Recessed soap dish shall be fabricated of 20 gauge stainless steel of drawn seamless construction and satin finish.

Overall dimensions: 7¼"W x 5"H x 2¾"D.



Orders composed of products indicated as **Bradex**[®] will be available to ship in three days after receipt of order at the factory. There is no pricing penalty for this service from Bradley.