



- ☑ Swiveling mounting system
- ☑ Accommodates 60" or 72" shower stall
- ☑ Increases space in shower stall

Model 9530-600000 (60") Bradex®

Model 9530-720000 (72")

- ☑ *NOTE: Curtain rods only available in 60" or 72" lengths.*

Product Materials

SWIVEL BRACKETS: chrome-plated zinc die cast construction with exposed surfaces in architectural satin finish. Maximum 55 degree swivel rotation.

TUBING: 1" diameter stainless steel, seamless construction with exposed surfaces in architectural satin finish.

Installation

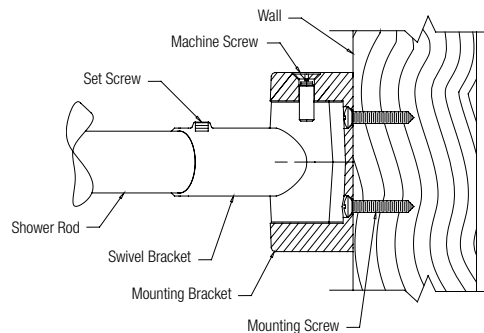
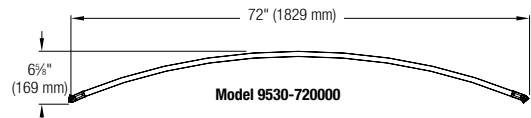
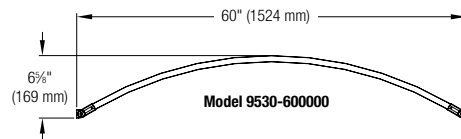
Verify all rough-in dimensions prior to installation. Screws and anchors provided with swivel brackets. For additional installation instructions, visit bradleycorp.com.

- ☑ When retrofitting or replacing a straight shower rod with Model 9530 curved shower rod, mount the new flange at the same location as the old flange. This will maximize the additional space a curved shower rod is designed to provide.

If properly mounted, the shower rod will withstand a maximum load of 50 lb without any sign of a permanent deflection.

Guide Specification

Shower curtain rod shall be fabricated of 20 gauge stainless steel in satin finish.



Orders composed of products indicated as **Bradex®** will be available to ship in three days after receipt of order at the factory. There is no pricing penalty for this service from Bradley.

[View Latest Version](#)