



A WATTS Brand

# 9983, 9984, 9985, 9986

## Utility Shelves

- ☑ Model 9983 – 2 Hooks/3 Holders
- ☑ Model 9984 – 3 Hooks/4 Holders **Bradex**®
- ☑ Model 9985 – 4 Hooks/5 Holders
- ☑ Model 9986 – 5 Hooks/6 Holders

### Product Materials

**SHELF:** 18 gauge stainless steel with exposed surfaces in architectural satin finish.

**BRACKETS:** 16 gauge stainless steel with exposed surfaces in architectural satin finish.

**HOOKS:** 14 gauge stainless steel

**HOLDERS:** spring-activated rubber cams on plated steel retainers. Will hold a mop or broom handle with a diameter between 5/8" and 1".

**DRYING ROD:** 1/4" diameter solid stainless steel with satin finish.

### Operation

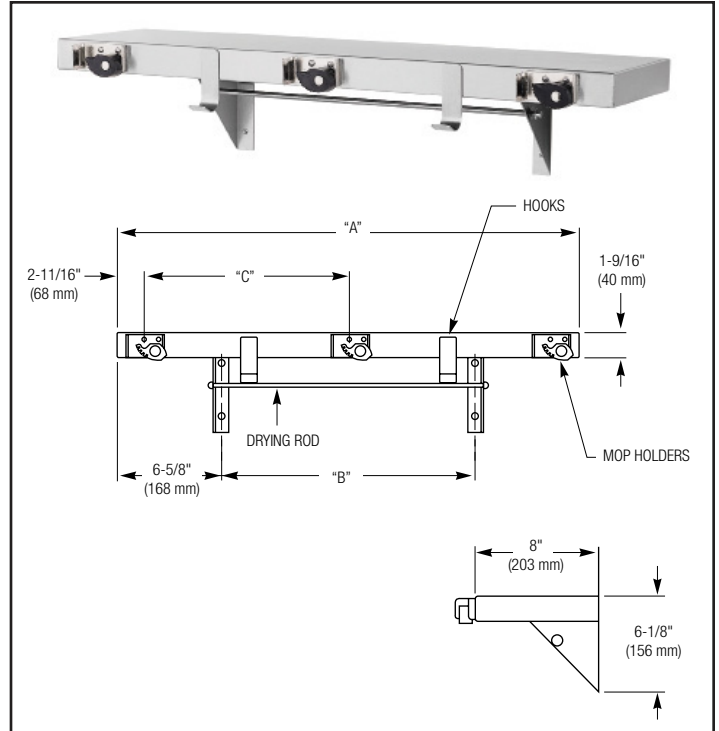
Weight of mop or broom holds handle in place.

### Installation

Verify all rough-in dimensions prior to installation. Secure to wall with mounting screws (not included) at holes provided.

### Guide Specification

Surface mounted utility shelf shall be fabricated of 18 gauge stainless steel in satin finish with 16 gauge brackets and 14 gauge hooks. Drying rod of 1/4" stainless steel. Mop and broom holders to have spring-activated rubber cams.



### Dimensions

Model No.	Dim. "A"	Dim. "B"	Dim. "C"	Hooks	Holdes
9983	30" (762 mm)	16-3/4" (425 mm)	12" (305 mm)	2	3
9984	36" (914 mm)	22-7/8" (581 mm)	10" (254 mm)	3	4
9985	42" (1067 mm)	28-7/8" (733 mm)	9" (229 mm)	4	5
9986	48" (1219 mm)	34-7/8" (886 mm)	8-3/8" (213 mm)	5	6

Orders composed of products indicated as **Bradex**® will be available to ship in three days after receipt of order at the factory. There is no pricing penalty for this service from Bradley.