



- ☑ Folding Shower Seat
- ☑ Color – Speckled White
- ☑ Antimicrobial Agent **Bradex**[®]

Product Materials

FRAME: 18 gauge stainless steel tubing, 1" dia. welded.

WALL BRACKET: 16 gauge stainless steel with stainless steel piano hinges.

RETAINING BRACKET: 16 gauge stainless steel. Positive bullet-type catch holds seat securely in up or down position.

SEAT: rotational-molded polyethylene. Provides maximum comfort and flex without compromising strength. Will not retain heat or cold. Antimicrobial agent homogeneously distributed throughout plastic matrix.

Operation

Hinged seat folds up and out of the way when not in use. When properly installed, seat can support up to 250 lbs. – static load.

Installation

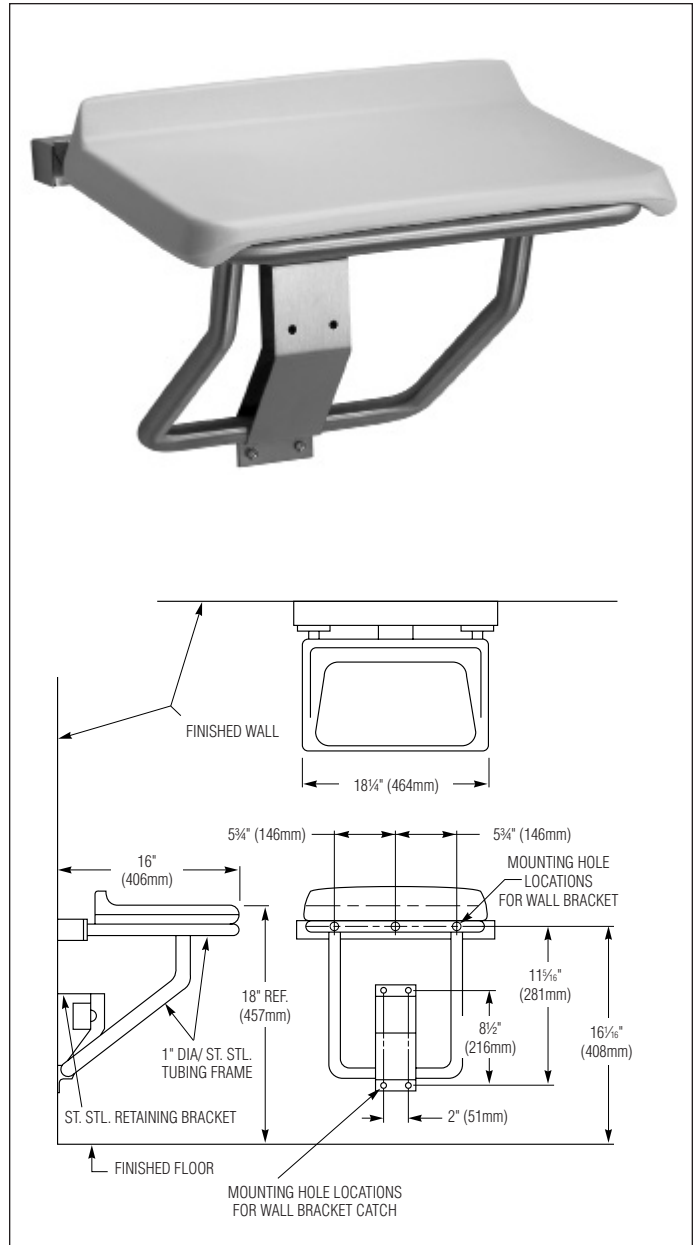
Verify all rough-in dimensions prior to installation. Provide concealed backing or anchors as specified by architect before finished wall is applied. Secure to wall with mounting screws (not included) at holes provided. Locate mounting holes 16 1/16" above finished floor for comfortable adult use. Mounting kit available from Bradley. For more information, visit bradleycorp.com.

⚠ WARNING: Be sure to use reinforced backing behind wall where mounting screws or anchoring devices are installed to ensure adequate support for the shower seat. All anchoring devices (supplied by installer) must be appropriate for specific wall construction. Severe personal injury and/or property damage may result from improper mounting.

Guide Specification

Folding shower seat shall be fabricated of molded polyethylene containing an antimicrobial agent homogeneously distributed throughout the plastic matrix. Seat secured to stainless steel frame of 1" diameter, 18 gauge tubing. Wall bracket of 16 gauge stainless steel with heavy duty hinges.

Overall dimensions: 18 1/4"W x 15 1/4"D x 3 1/4" thick.



Orders composed of products indicated as **Bradex**[®] will be available to ship in three days after receipt of order at the factory. There is no pricing penalty for this service from Bradley.